



Model: **NTX**  
(Surface Mounted)



Model: **NTX-R**  
(Exposed Duct Mounted)

**MATERIAL**

- Aluminum

**FINISH**

- Clear Anodized
- Custom Colors Available

**FEATURES**

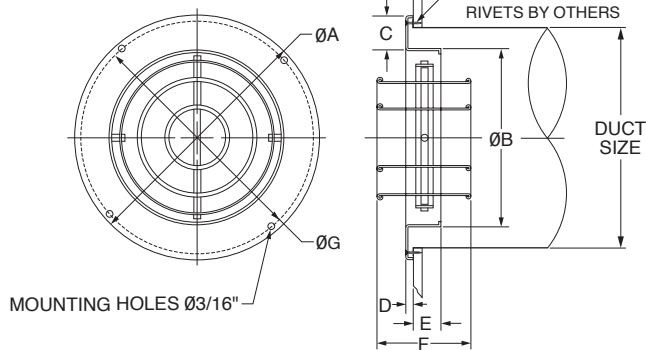
- Economical
- High Airflow Capacity
- Long Throw Capability
- Infinitely Adjustable 2-Axis Core for Directional Control
- Anodized Aluminum Body and Stainless Steel Construction
- Surface (NTX) or Exposed Duct (NTX-R) Mounted
- Horizontal Throw
- Vertical Throw Applications by Factory Selection
- Mounting Screw Fastening System



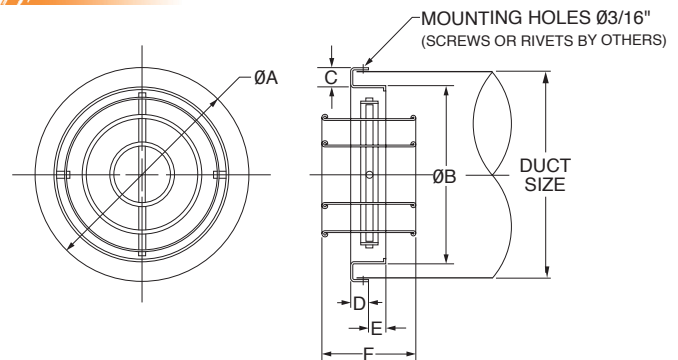
Seiho's Model NTX Surface Mounted TurboNozzle and Model NTX-R Exposed Duct mounted Aluminum TurboNozzle offer excellent architectural styling for directional control in supply applications. While the NTX is specifically designed for a flush flange mounting to wall and ceiling construction, the NTX-R is designed for direct mounting to exposed, round sheet metal (spiral or k-d) ductwork. Both models provide an integral, readily-accessible airflow adjustment in its installed position. The NTX and NTX-R differ from the NT in their mounting configuration and the nozzle position. They use a shallower flange and the nozzle protrudes from the flange. The heavy-gage anodized aluminum and stainless steel construction is corrosion-resistant for years of service. The aluminum finish integrates seamlessly with the many architectural finish systems.

www.seiho.com

**MODEL NTX DIMENSIONS**



**MODEL NTX-R DIMENSIONS**



MODEL	DUCT SIZE	A	B	C	D	E	F	G
NTX 4	6"	8	4	2	3/8	1 5/8	2	7
NTX 6	8"	10	6	2	3/8	1 5/8	3 7/32	9
NTX 8	10"	12	8	2	3/8	1 5/8	4 1/4	11
NTX 10	12"	14	10	2	3/8	1 5/8	5 9/32	13
NTX 12	14"	16	12	2	3/8	1 5/8	5 7/32	15
NTX 14	16"	18	14	2	3/8	1 5/8	5 7/32	17
NTX 16	18"	20	16	3	3/8	1 5/8	5 7/32	19
NTX 20	22"	24	20	1	3/8	2 5/8	7 3/16	23
NTX 24	26"	28	24	2	3/8	2 5/8	7 3/16	27

Product information is subject to change without notice. All dimensions in inches.

MODEL	DUCT SIZE	A	B	C	D	E	F
NTX 4R	6"	6 1/4	4	1 3/16	1	1	2
NTX 6R	8"	8 1/4	6	1 3/16	1	1	3 7/32
NTX 8R	10"	10 1/4	8	1 3/16	1	1	4 1/4
NTX 10R	12"	12 1/4	10	1 3/16	1	1	5 9/32
NTX 12R	14"	14 1/4	12	1 3/16	1	1	5 7/32
NTX 14R	16"	16 1/4	14	1 3/16	1	1	5 7/32
NTX 16R	18"	18 1/4	16	1 3/16	1	1	5 7/32
NTX 20R	24"	24 1/4	20	4 3/8	1 1/2	1 1/2	7 3/16
NTX 24R	28"	28 1/4	24	4 3/8	1 1/2	1 1/2	7 3/16

Product information is subject to change without notice. All dimensions in inches.