



Model: **PK-A**
(without Damper)



Model: **PK-AD**
(with Damper)



MATERIAL

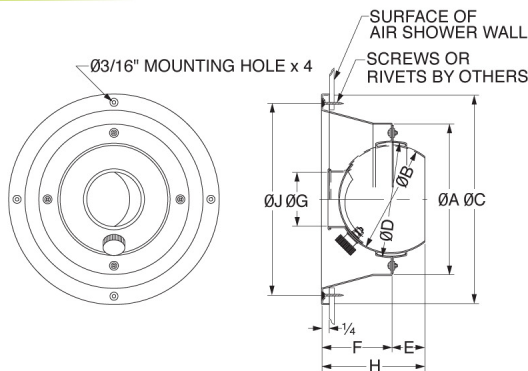
- Aluminum

FINISH

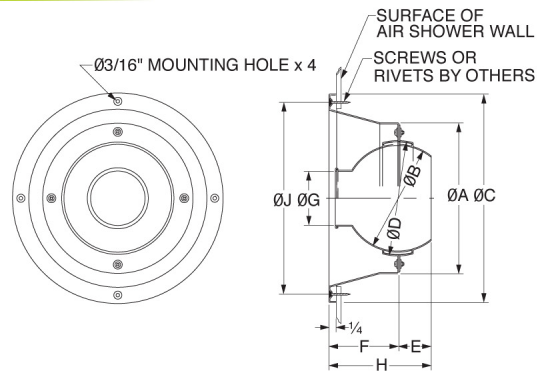
- Anodized
- Custom Colors Available

Seiho's compact Model PK-AD and PK-A Aluminum Wall/Ceiling SpotDiffusers are specially designed for a flush flange mounting to wall and ceiling construction within air shower systems. The flush-mount nozzles offer efficient use of space within the air shower chamber while providing complete directional adjustability for operational flexibility. The nozzles are arranged on walls and ceilings in a uniform pattern to ensure effective distribution of filtered air. The PK-AD features directional air stream control and precision air flow adjustment, whereas the PK-A is capable of directional control only. The heavy-gage anodized aluminum is corrosion-resistant for years of service. The finished aluminum integrates seamlessly with various types of air shower systems.

MODEL PK-AD DIMENSIONS



MODEL PK-A DIMENSIONS



MODEL	PK SIZE	A	B	C	D	E	F	G	H	J	
PK 3AD	PK 3A	PK 3	4 5/16	2 15/16	6 3/16	3 7/32	2 1/32	2 3/16	1 1/2	2 27/32	5 19/32
PK 4AD	PK 4A	PK 4	5 5/16	3 15/16	7 9/32	4 7/32	15/16	2 3/4	1 31/32	3 11/16	6 11/16

Product information is subject to change without notice. All dimensions in inches.

MODEL PK-AD & PK-A PERFORMANCE DATA

SIZE	Approx. Nozzle Velocity	500												1000												1500												2000												2500												3000												3500												4000											
		Terminal Velocity, Vt																																																																																															
3	Nozzle Area 0.012 sq.ft	CFM	5				10				15				20				25				35				40				45																																																																		
		SP (in.,wg)	0.01				0.03				0.09				0.19				0.31				0.75				0.82				1.1																																																																		
		NC	-				-				-				<20				<20				21				23				25																																																																		
		Throw (ft.)	7	5	2	-	12	7	3	-	18	9	6	2	25	12	7	3	31	15	8	4	50	25	12	6	55	27	13	7	60	30	15	8																																																															
4	Nozzle Area 0.021 sq.ft	CFM	10				20				30				40				50				60				70				80																																																																		
		SP (in.,wg)	0.01				0.05				0.14				0.25				0.39				0.56				0.8				1.05																																																																		
		NC	-				-				<20				<20				21				24				28				32																																																																		
		Throw (ft.)	9	6	3	-	18	10	5	-	27	14	7	3	36	18	9	5	44	23	12	6	53	28	14	7	65	32	16	8	75	37	18	9																																																															

DASHED LINE IN NC BOX INDICATES NOISE LEVEL IS LESS THAN 20.
NC LEVEL IS BASED ON 10dB ROOM ATTENUATION(PWL RE:10-12 WATTS) WITH ONE DIFFUSER OPERATING.

*Seiho International reserves the right to make changes without prior notice.
*This performance data is proprietary to Seiho International, Inc., and shall not be used except as expressly authorized by the Company.