

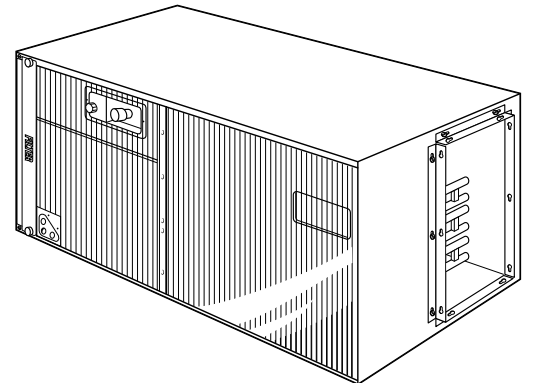
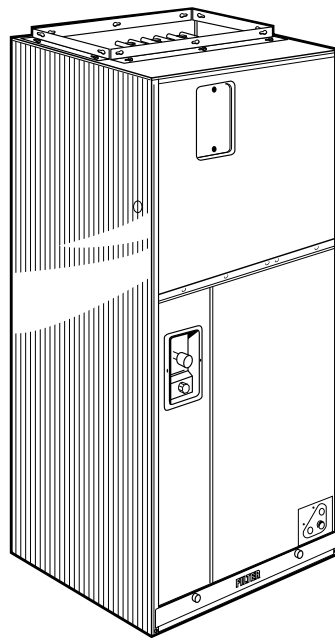


Modular Variable Speed Air Handlers

Convertible Variable Speed Communicating Air Handlers - 2 1/2 - 5 Ton

2TEE3C31A1000A
2TEE3C37A1000A
2TEE3C40A1000A
2TEE3C49A1000A
2TEE3C65A1000A

4TEE3C31A1000A
4TEE3C37A1000A
4TEE3C40A1000A
4TEE3C49A1000A
4TEE3C65A1000A





Features and Benefits

- Ships vertical - converts to horizontal by laying unit on side.
- Six-way convertibility – horizontal (left & right), front & rear access; upflow, downflow
- Electrical, refrigerant, condensate & blower access convertible to either side
- Compact 21" depth for easy installation
- Variable speed ECM motor
- Direct drive blower
- **Comfort-R™** enhanced dehumidification cycle
- Soft Start - On cycle fan speed is increased gradually to reduce sound and drafts
- Corrosion resistant galvanized metal with attractive finish
- Non-bleed Expansion valve
- Check valve for heat pump application
- Internally enhanced finned coil tubing
- External brazed refrigerant connections
- 200/230 volt primary & 24 volt secondary transformer
- Low voltage terminal board
- Uses 1400 series heaters
- Access to heater circuit breakers
- Polarized plugs for making motor and transformer electrical connections from air handler control box to electric heaters
- Primary and secondary drain connections
- Easy Air-Tite™ access to coils
- Built-in indoor fan delay function for increased efficiency
- 2/4TEE3C31 airflow selectable for 1-1/2 — 3 ton O.D. unit
- 2/4TEE3C37, 2/4TEE3C40 airflow selectable for 2 — 3-1/2 ton O.D. unit
- 2/4TEE3C49 airflow selectable for 3 — 5 ton O.D. unit
- 2/4TEE3C65 airflow selectable for 3 — 5 ton O.D. unit
- Energy-saving continuous fan
- Enhanced cooling/heating control
- **ComfortLink™II** 3-wire connectivity or 24 volt connection.

Optional Equipment

OPTIONAL EQUIPMENT FOR AIR HANDLERS (Check mark [✓] indicates accessories included).

Plenum - Pedestal (2/4TEE3C37, 40, 49, 65)	TAYPLNM100 []
Sub-base For Downflow (2/4TEE3C31)	TAYBASE101 []
Sub-base For Downflow (2/4TEE3C37)	TAYBASE100 []
Sub-base For Downflow (2/4TEE3C40, 49, 65)	TAYBASE102 []
Evaporator Defrost Control Kit - Cooling Units (Low Ambient Cooling)	AY28X079 []
Evaporator Defrost Control Kit - Heat Pumps (Low Ambient Cooling)	AY28X084 []
Knockout cover plate (2/4TEE3C31, 37, 40, 49, 65)	BAY99X123 []
Humidistat	BAYSTAT253 []
Plenum For Upflow Non-Ducted Applications (2/4TEE3C31, 37, 40, 49, 65)	BAYPLNM120 []



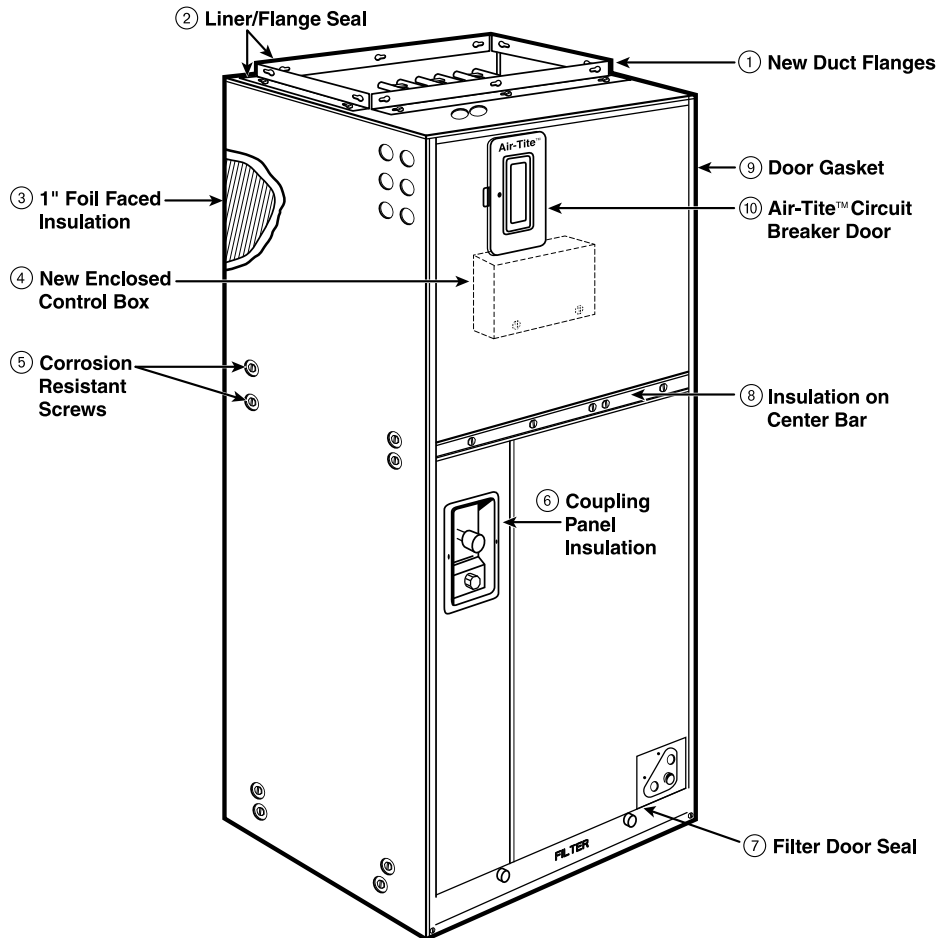
Contents

Features and Benefits	2
Optional Equipment	2
“Air-Tite™” Features and Benefits	4
General Data	5
2TEE3C31A1000A	5
2TEE3C37A1000A	5
2TEE3C40A1000A	5
2TEE3C49A1000A	5
2TEE3C65A1000A	5
4TEE3C31A1000A	5
4TEE3C37A1000A	5
4TEE3C40A1000A	5
4TEE3C49A1000A	5
4TEE3C65A1000A	5
Performance Data	6
Electrical Data	11
Mounting	15
Wiring Diagram	16
Field Wiring	17
Convertibility	20
Dimensions	21
Outline Drawing	22
Mechanical Specification Options	24



TRANE®

“Air-Tite™” Features and Benefits



- ① **New Duct Flange** – Allows flush fit for $\frac{3}{4}$ ", 1" or $1\frac{1}{2}$ " duct insulation.
- ② **Liner/Flange Seal** – Exclusive Duct Flange Thermal Break/Seal and double wall construction to reduce cabinet loss and sweating.
- ③ **1" Foil Faced Insulation** – Thicker foil faced insulation for reduced cabinet loss, sweating and lower power bills.
- ④ **Enclosed Control Box** – Totally enclosed control box with transformer inside to improve component life, unit durability and reliability.
- ⑤ **Corrosion Resistant Screws** – Exclusive “Weatherguard™” coated screws to maintain the quality appearance of the unit for the life of the product.
- ⑥ **Coupling Panel Insulation** – Exclusive “No Burn” refrigerant coupling panel with thicker insulation for reduced heat loss.
- ⑦ **Filter Door Seal** – Improved door seal for reduced air infiltration, heat transfer, and lower power bills.
- ⑧ **Insulation on Center Bar** – Exclusive center bar insulation for reduced cabinet loss, sweating and lower power bills.
- ⑨ **Door Gasket** – Exclusive formed gasket (similar to a car door gasket) to reduce air infiltration and heat transfer and lower power bills.
- ⑩ **Air-Tite™ Circuit Breaker Door** – Easy access to breakers with positive air seal.



General Data

MODEL	2TEE3C31A1000A 4TEE3C31A1000A		2TEE3C37A1000A 4TEE3C37A1000A		2TEE3C40A1000A 4TEE3C40A1000A	
RATED VOLTS/PH/HZ.	200-230/1/60		200-230/1/60		200-230/1/60	
RATINGS ①	See O.D. Specifications		See O.D. Specifications		See O.D. Specifications	
INDOOR COIL — Type	Plate Fin		Plate Fin		Plate Fin	
Rows — F.P.I.	3 — 14		3 — 14		4 — 14	
Face Area (sq. ft.)	3.21		3.9		5.04	
Tube Size (in.)	3/8 - Copper		3/8 - Copper		3/8 - Copper	
Refrigerant Control	TXV - NonBleed		TXV - NonBleed		TXV - NonBleed	
Drain Conn. Size (in.) ②	3/4 NPT		3/4 NPT		3/4 NPT	
INDOOR FAN — Type	Centrifugal		Centrifugal		Centrifugal	
Diameter-Width (In.)	10 x 8		10 x 10		10 x 10	
No. Used	1		1		1	
Drive - No. Speeds	Direct - Serial ECM		Direct - Serial ECM		Direct - Serial ECM	
CFM vs. in. w.g. ①	See Fan Performance Table		See Fan Performance Table		See Fan Performance Table	
No. Motors — H.P.	1 — 1/2		1 — 1/2		1 — 1/2	
Motor Speed R.P.M.	Variable		Variable		Variable	
Volts/Ph/Hz	200-230/1/60		200-230/1/60		200-230/1/60	
F.L. Amps - L.R. Amps	4.3		4.3		4.3	
FILTER ③	Yes		Yes		Yes	
All Applications?	Yes		Yes		Yes	
Type	Low Velocity 1 x 20 x 20		Low Velocity 1 x 20 x 20		Low Velocity 1 x 20 x 25	
Max. Indoor Relative Humidity ④	65%		65%		65%	
REFRIGERANT	R-22	R-410A	R-22	R-410A	R-22	R-410A
Ref. Line Connections	Brazed	Brazed	Brazed	Brazed	Brazed	Brazed
Conn. Size — in. Gas	3/4	3/4	7/8	3/4	7/8	3/4
Conn. Size — in. Liq.	5/16	5/16	3/8	3/8	3/8	3/8
DIMENSIONS	H x W x D		H x W x D		H x W x D	
Crated (In.)	44-1/2 x 24 x 23-1/2		46-1/2 x 26 x 23-1/2		53-1/4 x 28-1/2 x 23-1/2	
Uncrated	43 x 21-1/2 x 21		45 x 23-1/2 x 21		51-3/4 x 26 x 21	
WEIGHT	134 / 118		142 / 127		174 / 155	

MODEL	2TEE3C49A1000A 4TEE3C49A1000A		2TEE3C65A1000A 4TEE3C65A1000A	
RATED VOLTS/PH/HZ.	200-230/1/60		200-230/1/60	
RATINGS ①	See O.D. Specifications		See O.D. Specifications	
INDOOR COIL — Type	Plate Fin		Plate Fin	
Rows — F.P.I.	4 — 14		4 — 14	
Face Area (sq. ft.)	6.19		7.33	
Tube Size (in.)	3/8 - Copper		3/8 - Copper	
Refrigerant Control	TXV - NonBleed		TXV - NonBleed	
Drain Conn. Size (in.) ②	3/4 NPT		3/4 NPT	
INDOOR FAN — Type	Centrifugal		Centrifugal	
Diameter-Width (In.)	10 x 10		10 x 10	
No. Used	1		1	
Drive - No. Speeds	Direct - Serial ECM		Direct - Serial ECM	
CFM vs. in. w.g. ①	See Fan Performance Table		See Fan Performance Table	
No. Motors — H.P.	1 — 3/4		1 — 1	
Motor Speed R.P.M.	Variable		Variable	
Volts/Ph/Hz	200-230/1/60		200-230/1/60	
F.L. Amps - L.R. Amps	6.8		7.0	
FILTER ③	Yes		Yes	
All Applications?	Yes		Yes	
Type	Low Velocity 1 x 20 x 25		Low Velocity 1 x 20 x 25	
Max. Indoor Relative Humidity ④	65%		65%	
REFRIGERANT	R-22	R-410A	R-22	R-410A
Ref. Line Connections	Brazed	Brazed	Brazed	Brazed
Conn. Size — in. Gas	1-1/8	7/8	1-1/8	7/8
Conn. Size — in. Liq.	3/8	3/8	3/8	3/8
DIMENSIONS	H x W x D		H x W x D	
Crated (In.)	59-1/2 x 28-1/2 x 23-1/2		63-1/4 x 28-1/2 x 23-1/2	
Uncrated	57-7/8 x 26 x 21		62-3/4 x 26 x 21	
WEIGHT	188/173		218 / 196	

① These Air Handlers are A.R.I. certified with various Split System Air Conditioners and Heat Pumps (ARI STANDARD 210/240). Refer to the Split System Outdoor Unit Product Data Guides for performance data.

② 3/4" Male Plastic Pipe (Ref.: ASTM 1785-76)

③ If a remote filter is added, it can not be within 6 inches of the air cleaner COLLECTION CELL.

④ The FIELD CHARGER may require more frequent cleaning in homes with high indoor relative humidity (greater than 65% RH). Consult your service professional about cleaning intervals.



TRANE[®]

Performance Data

2/4TEE3C31A AIRFLOW PERFORMANCE TABLE

Airflow Performance								
2/4TEE3C31A1: with Wet coil, No Heaters, Filter								
Outdoor Unit Size	Airflow Settings		Airflow	EXTERNAL STATIC PRESSURE (in.w.g.)				
	Name	CFM/ton	Power	0.1	0.3	0.5	0.7	0.9
1.5 tons	Low	290	CFM	438	472	459	429	401
			Watts	40	68	95	123	146
	Med-Lo	350	CFM	573	584	576	552	530
			Watts	51	81	112	139	167
	Med-Hi	400	CFM	648	654	645	626	602
			Watts	65	96	126	159	187
	High	450	CFM	729	728	720	705	679
			Watts	81	112	144	179	213
2 tons	Low	290	CFM	613	621	614	594	565
			Watts	66	96	125	155	184
	Med-Lo	350	CFM	754	753	743	730	702
			Watts	86	119	152	187	222
	Med-Hi	400	CFM	849	847	837	822	807
			Watts	111	146	181	217	255
	High	450	CFM	940	936	927	918	904
			Watts	141	179	215	253	292
2.5 tons	Low	290	CFM	763	761	755	744	718
			Watts	98	130	163	197	229
	Med-Lo	350	CFM	914	910	900	888	875
			Watts	133	168	204	242	279
	Med-Hi	400	CFM	1045	1039	1028	1016	1005
			Watts	176	217	258	298	340
	High	450	CFM	1154	1153	1147	1134	1133
			Watts	229	274	319	363	409
3 tons	Low	290	CFM	900	897	888	875	861
			Watts	138	175	211	250	283
	Med-Lo	350	CFM	1090	1084	1074	1062	1047
			Watts	197	238	278	321	360
	Med-Hi	400	CFM	1223	1222	1216	1204	1202
			Watts	264	314	361	407	457
	High	450	CFM	1364	1359	1360	1336	1213
			Watts	353	406	463	502	468
NOTES:	Airflow Demand is OD size (tons) * Speed (cfm/ton) COMM SYS mode will auto-detect OD size, with default speed 400cfm/ton & 1.5 minute off-delay At continuous fan setting: Airflow values are approximately 50% of listed values.							



Performance Data

2/4TEE3C37A AIRFLOW PERFORMANCE TABLE

Airflow Performance								
2/4TEE3C37A1: with Wet coil, No Heaters, Filter								
Outdoor Unit Size	Airflow Settings		Airflow	EXTERNAL STATIC PRESSURE (in.w.g.)				
	Name	CFM/ton	Power	0.1	0.3	0.5	0.7	0.9
2 tons	Low	290	CFM	624	620	600	581	561
			Watts	57	89	119	150	182
	Med-Lo	350	CFM	749	745	724	695	673
			Watts	77	111	145	182	216
	Med-Hi	400	CFM	851	841	820	796	764
			Watts	101	136	171	210	248
	High	450	CFM	947	934	914	892	866
			Watts	127	166	203	243	286
2.5 tons	Low	290	CFM	772	762	741	713	691
			Watts	84	118	152	184	220
	Med-Lo	350	CFM	919	911	891	866	842
			Watts	120	158	195	235	274
	Med-Hi	400	CFM	1054	1034	1008	987	960
			Watts	163	204	241	280	324
	High	450	CFM	1163	1151	1137	1116	1101
			Watts	207	254	297	341	386
3 tons	Low	290	CFM	913	898	877	854	824
			Watts	121	157	193	232	265
	Med-Lo	350	CFM	1097	1085	1067	1045	1023
			Watts	178	222	263	302	352
	Med-Hi	400	CFM	1238	1225	1210	1193	1167
			Watts	241	290	336	381	429
	High	450	CFM	1373	1363	1352	1329	1298
			Watts	317	373	427	475	508
3.5 tons	Low	290	CFM	1050	1034	1013	989	974
			Watts	167	207	246	284	329
	Med-Lo	350	CFM	1259	1247	1230	1208	1196
			Watts	252	301	348	395	437
	Med-Hi	400	CFM	1426	1409	1401	1376	1255
			Watts	352	404	460	506	480
	High	450	CFM	1607	1546	1454	1370	1267
			Watts	489	510	502	502	491
NOTES:	Airflow Demand is OD size (tons) * Speed (cfm/ton) COMM SYS mode will auto-detect OD size, with default speed 400cfm/ton & 1.5 minute off-delay At continuous fan setting: Airflow values are approximately 50% of listed values.							



TRANE[®]

Performance Data

2/4TEE3C40A AIRFLOW PERFORMANCE TABLE

Airflow Performance								
2/4TEE3C40A1: with Wet coil, No Heaters, Filter								
Outdoor Unit Size	Airflow Settings		Airflow Power	EXTERNAL STATIC PRESSURE (in.w.g.)				
	Name	CFM/ton		0.1	0.3	0.5	0.7	0.9
2 tons	Low	290	CFM	629	649	650	646	576
			Watts	50	85	121	157	190
	Med-Lo	350	CFM	763	772	765	749	744
			Watts	72	108	145	183	224
	Med-Hi	400	CFM	865	867	853	834	824
			Watts	92	131	169	209	249
	High	450	CFM	962	962	946	929	913
			Watts	116	156	196	241	283
2.5 tons	Low	290	CFM	785	792	785	771	760
			Watts	75	112	152	191	232
	Med-Lo	350	CFM	932	935	923	906	894
			Watts	109	149	188	232	276
	Med-Hi	400	CFM	1060	1057	1042	1028	1007
			Watts	141	186	229	273	325
	High	450	CFM	1173	1171	1159	1142	1129
			Watts	181	231	277	323	374
3 tons	Low	290	CFM	936	934	919	905	881
			Watts	109	148	186	231	273
	Med-Lo	350	CFM	1102	1101	1089	1073	1059
			Watts	156	202	247	292	342
	Med-Hi	400	CFM	1241	1240	1229	1215	1198
			Watts	211	261	311	364	404
	High	450	CFM	1378	1374	1365	1354	1335
			Watts	273	331	386	441	495
3.5 tons	Low	290	CFM	1071	1069	1056	1038	1020
			Watts	146	192	235	277	327
	Med-Lo	350	CFM	1264	1263	1252	1236	1223
			Watts	218	271	323	371	423
	Med-Hi	400	CFM	1422	1420	1411	1397	1377
			Watts	299	358	416	471	525
	High	450	CFM	1570	1591	1559	1458	1391
			Watts	390	473	518	509	541
NOTES:	Airflow Demand is OD size (tons) * Speed (cfm/ton) COMM SYS mode will auto-detect OD size, with default speed 400cfm/ton & 1.5 minute off-delay At continuous fan setting: Airflow values are approximately 50% of listed values.							



Performance Data

2/4TEE3C49A AIRFLOW PERFORMANCE TABLE

Airflow Performance 2/4TEE3C49A1: with Wet coil, No Heaters, Filter								
Outdoor Unit Size	Airflow Settings		Airflow Power	EXTERNAL STATIC PRESSURE (in.w.g.)				
	Name	CFM/ton		0.1	0.3	0.5	0.7	0.9
3 tons	Low	290	CFM	847	876	880	875	876
			Watts	94	139	182	223	267
	Med-Lo	350	CFM	1029	1045	1053	1051	1042
			Watts	133	181	229	277	325
	Med-Hi	400	CFM	1177	1191	1198	1196	1187
			Watts	179	231	282	337	389
	High	450	CFM	1326	1334	1335	1337	1326
			Watts	235	292	347	402	464
3.5 tons	Low	290	CFM	1013	1012	1007	993	966
			Watts	144	188	232	275	315
	Med-Lo	350	CFM	1204	1213	1214	1218	1206
			Watts	190	239	292	349	392
	Med-Hi	400	CFM	1375	1381	1382	1386	1373
			Watts	257	314	370	430	488
	High	450	CFM	1541	1546	1545	1544	1545
			Watts	340	405	468	534	595
4 tons	Low	290	CFM	1211	1220	1227	1225	1212
			Watts	195	249	304	357	408
	Med-Lo	350	CFM	1374	1382	1383	1388	1377
			Watts	257	317	374	434	496
	Med-Hi	400	CFM	1563	1571	1573	1574	1570
			Watts	355	421	486	553	610
	High	450	CFM	1746	1759	1766	1754	1734
			Watts	478	552	626	695	738
5 tons	Low	290	CFM	1415	1421	1420	1418	1422
			Watts	282	342	400	463	520
	Med-Lo	350	CFM	1707	1716	1717	1714	1727
			Watts	446	519	588	658	731
	Med-Hi	400	CFM	1953	1938	1878	1791	1707
			Watts	638	710	734	722	747
	High	450	CFM	2048	1962	1876	1788	1703
			Watts	736	731	728	725	720
NOTES:	Airflow Demand is OD size (tons) * Speed (cfm/ton) COMM SYS mode will auto-detect OD size, with default speed 400cfm/ton & 1.5 minute off-delay At continuous fan setting: Airflow values are approximately 50% of listed values.							



TRANE[®]

Performance Data

2/4TEE3C65A AIRFLOW PERFORMANCE TABLE

Airflow Performance 2/4TEE3C65A1: with Wet coil, No Heaters, Filter								
Outdoor Unit Size	Airflow Settings		Airflow Power	EXTERNAL STATIC PRESSURE (in.w.g.)				
	Name	CFM/ton		0.1	0.3	0.5	0.7	0.9
3 tons	Low	290	CFM	774	808	826	821	807
			Watts	81	122	164	204	242
	Med-Lo	350	CFM	958	993	1002	1013	1016
			Watts	116	165	211	260	309
	Med-Hi	400	CFM	1117	1156	1173	1176	1182
			Watts	157	215	269	321	381
	High	450	CFM	1287	1330	1349	1356	1364
			Watts	217	284	345	406	466
3.5 tons	Low	290	CFM	921	956	967	977	968
			Watts	109	156	201	247	294
	Med-Lo	350	CFM	1147	1185	1202	1206	1208
			Watts	165	225	280	332	387
	Med-Hi	400	CFM	1356	1391	1412	1425	1429
			Watts	244	311	378	445	501
	High	450	CFM	1576	1615	1634	1650	1651
			Watts	350	433	510	583	659
4 tons	Low	290	CFM	1078	1115	1124	1127	1134
			Watts	147	203	254	304	360
	Med-Lo	350	CFM	1349	1391	1416	1423	1429
			Watts	237	309	381	440	509
	Med-Hi	400	CFM	1605	1648	1669	1677	1688
			Watts	368	451	530	611	680
	High	450	CFM	1871	1898	1921	1929	1831
			Watts	550	645	737	816	814
5 tons	Low	290	CFM	1403	1447	1474	1478	1496
			Watts	267	340	413	481	540
	Med-Lo	350	CFM	1812	1840	1862	1875	1786
			Watts	504	596	681	762	786
	Med-Hi	400	CFM	2134	2145	2095	2004	1942
			Watts	803	889	909	898	912
	High	450	CFM	2237	2163	2087	2004	1919
			Watts	909	907	905	898	900
NOTES:	Airflow Demand is OD size (tons) * Speed (cfm/ton) COMM SYS mode will auto-detect OD size, with default speed 400cfm/ton & 1.5 minute off-delay At continuous fan setting: Airflow values are approximately 50% of listed values.							



Electrical Data

NOTES:									
*** = 000, BRK or PDC - 000 = pigtails, BRK = contains circuit breakers & PDC = contains pull disconnect.									
IMPORTANT: Any power supply and / or combination power supply, circuit or circuits must be wired and protected in accordance with local Electrical codes									
	VOLT	MTR AMPS	HEATER AMPS	MCA	MOP	MIN BLOWER SPEED		CAPACITY	
						WITH OUT HEAT PUMP	WITH HEAT PUMP	KW	TOTAL HEATER BTUH
2/4TEE3C31		4.30		5	15				
BAYHTR1405***C	208		17.3	27	30	1000	1130	3.60	12300
	240		20.0	30	30	1000	1130	4.80	16400
BAYHTR1408***C	208		27.7	40	40	1000 +	1130	5.76	19700
	240		32.0	45	45	1000 +	1130	7.68	26200
BAYHTR1410***C	208		34.6	49	50	1130	1350	7.20	24600
	240		40.0	55	60	1130	1350	9.60	32800
circuit 1 BAYHTR1415 BRKC	208		34.6	49	50	1130	1350	7.20	39300
	240		40.0	55	60	1130	1350	9.60	52400
circuit 2 BAYHTR1415 BRKC	208		20.8	26	30			4.33	
	240		24.0	30	30			5.76	
BAYHTR1415 BRKC with single circuit power source kit BAYSPEK140B	208		55.4	75	80	1130	1350	11.5	39300
	240		64.0	85	90	1130	1350	15.4	52400
BAYHTR3410-000C	208		30.0	37	40	1130	1350	7.20	24600
	240		34.6	43	45	1130	1350	9.60	32800
BAYHTR3415-000C	208		33.1	46	50	1130	1350	11.53	39300
	240		38.2	52	60	1130	1350	15.36	52400
circuit 1 BAYHTR1419 BRKC	208		27.7	40	40	1130	1350	5.76	49200
	240		32.0	45	45	1130	1350	7.68	65500
circuit 2 BAYHTR1419 BRKC	208		41.6	52	60			8.66	
	240		48.0	60	60			11.52	
BAYHTR1419 BRKC with single circuit power source kit BAYSPEK140B	208		69.3	92	100	1130	1350	14.4	49200
	240		80.0	105	110	1130	1350	19.2	65500

(+) - For Upflow position without heat pump, minimum setting is 1130

NOTES:									
*** = 000, BRK or PDC - 000 = pigtails, BRK = contains circuit breakers & PDC = contains pull disconnect.									
IMPORTANT: Any power supply and / or combination power supply, circuit or circuits must be wired and protected in accordance with local Electrical codes									
	VOLT	MTR AMPS	HEATER AMPS	MCA	MOP	MIN BLOWER SPEED		CAPACITY	
						WITH OUT HEAT PUMP	WITH HEAT PUMP	KW	TOTAL HEATER BTUH
2/4TEE3C37		4.30		5	15				
BAYHTR1405***C	208		17.3	27	30	600	900 +	3.60	12300
	240		20.0	30	30	600	900 +	4.80	16400
BAYHTR1408***C	208		27.7	40	40	900	1450 ++	5.76	19700
	240		32.0	45	45	900	1450 ++	7.68	26200
BAYHTR1410***C	208		34.6	49	50	1100	1450	7.20	24600
	240		40.0	55	60	1100	1450 +++	9.60	32800
circuit 1 BAYHTR1415 BRKC	208		34.6	49	50	1100	1450	7.20	39300
	240		40.0	55	60	1100	1450	9.60	52400
circuit 2 BAYHTR1415 BRKC	208		20.8	26	30			4.33	
	240		24.0	30	30			5.76	
BAYHTR1415 BRKC with single circuit power source kit BAYSPEK140B	208		55.4	75	80	1100	1450	11.5	39300
	240		64.0	85	90	1100	1450	15.4	52400
BAYHTR3410-000C	208		30.0	37	40	1100	1450	7.20	24600
	240		34.6	43	45	1100	1450 +++	9.60	32800
BAYHTR3415-000C	208		33.1	46	50	1100	1450	11.53	39300
	240		38.2	52	60	1100	1450	15.36	52400
circuit 1 BAYHTR1419 BRKC	208		27.7	40	40	1100	1450	5.76	49200
	240		32.0	45	45	1100	1450 +++	7.68	65500
circuit 2 BAYHTR1419 BRKC	208		41.6	52	60			8.66	
	240		48.0	60	60			11.52	
BAYHTR1419 BRKC with single circuit power source kit BAYSPEK140B	208		69.3	92	100	1100	1450	14.4	49200
	240		80.0	105	110	1100	1450 +++	19.2	65500

(+) - For horizontal right and and downflow position, minimum speed for heat pump applications is 1100 CFM

(++) - For horizontal right and and downflow position, minimum speed without heat pump applications is 1100 CFM

(+++) - Downflow configuration is not rated at 240V for the 1410 and not rated for 208 or 240 for the 1419



TRANE®

Electrical Data

NOTES:									
*** = 000, BRK or PDC - 000 = pigtails, BRK = contains circuit breakers & PDC = contains pull disconnect.									
IMPORTANT: Any power supply and / or combination power supply, circuit or circuits must be wired and protected in accordance with local Electrical codes									
	VOLT	MTR AMPS	HEATER AMPS	MCA	MOP	MIN BLOWER SPEED		CAPACITY	
						WITH OUT HEAT PUMP	WITH HEAT PUMP	KW	TOTAL HEATER BTUH
2/4TEE3C40		4.30		5	15				
BAYHTR1405***C	208		17.3	27	30	600	900 +	3.60	12300
	240		20.0	30	30	600	900 +	4.80	16400
BAYHTR1408***C	208		27.7	40	40	600	900	5.76	19700
	240		32.0	45	45	600	900	7.68	26200
BAYHTR1410***C	208		34.6	49	50	900	1100	7.20	24600
	240		40.0	55	60	900	1100	9.60	32800
BAYHTR1415 BRKC circuit 1	208		34.6	49	50	1100	1400	7.20	39300
	240		40.0	55	60	1100	1400	9.60	52400
BAYHTR1415 BRKC circuit 2	208		20.8	26	30			4.33	
	240		24.0	30	30			5.76	
BAYHTR1415 BRKC with single circuit power source kit BAYSPEK140B	208		55.4	75	80	1100	1400	11.5	39300
	240		64.0	85	90	1100	1400	15.4	52400
BAYHTR3410-000C	208		30.0	37	40	900	1100	7.20	24600
	240		34.6	43	45	900	1100	9.60	32800
BAYHTR3415-000C	208		33.1	46	50	1100	1400	11.53	39300
	240		38.2	52	60	1100	1400	15.36	52400
BAYHTR1419 BRKC circuit 1	208		27.7	40	40	1100	1400	5.76	49200
	240		32.0	45	45	1100	1400	7.68	65500
BAYHTR1419 BRKC circuit 2	208		41.6	52	60			8.66	
	240		48.0	60	60			11.52	
BAYHTR1419 BRKC with single circuit power source kit BAYSPEK140B	208		69.3	92	100	1100	1400	14.4	49200
	240		80.0	105	110	1100	1400	19.2	65500
BAYHTR1425 BRKC circuit 1	208		38.1	48	50	1100	1400	7.93	63900
	240		44.0	55	60	1100	1400	10.56	85200
BAYHTR1425 BRKC circuit 2	208		34.6	49	50			7.20	
	240		40.0	55	60			9.60	
BAYHTR1425 BRKC circuit 3	208		17.3	22	25			3.60	
	240		20.0	25	25			4.80	

(+) - For horizontal right and downflow position, minimum speed for heat pump applications is 1100 CFM

NOTES:									
*** = 000, BRK or PDC - 000 = pigtails, BRK = contains circuit breakers & PDC = contains pull disconnect.									
IMPORTANT: Any power supply and / or combination power supply, circuit or circuits must be wired and protected in accordance with local Electrical codes									
	VOLT	MTR AMPS	HEATER AMPS	MCA	MOP	MIN BLOWER SPEED		CAPACITY	
						WITH OUT HEAT PUMP	WITH HEAT PUMP	KW	TOTAL HEATER BTUH
2/4TEE3C49		6.80		9	15				
BAYHTR1405***C	208		17.3	30	30	800	1100	3.60	12300
	240		20.0	34	35	800	1100	4.80	16400
BAYHTR1408***C	208		27.7	43	45	800	1100	5.76	19700
	240		32.0	49	50	800	1100	7.68	26200
BAYHTR1410***C	208		34.6	52	60	800	1400	7.20	24600
	240		40.0	59	60	800	1400	9.60	32800
BAYHTR1415 BRKC circuit 1	208		34.6	52	60	1100	1700	7.20	39300
	240		40.0	59	60	1100	1700	9.60	52400
BAYHTR1415 BRKC circuit 2	208		20.8	26	30			4.33	
	240		24.0	30	30			5.76	
BAYHTR1415 BRKC with single circuit power source kit BAYSPEK140B	208		55.4	78	80	1100	1700	11.5	39300
	240		64.0	89	90	1100	1700	15.4	52400
BAYHTR3410-000C	208		30.0	37	40	800	1400	7.20	24600
	240		34.6	43	45	800	1400	9.60	32800
BAYHTR3415-000C	208		33.1	49	50	1100	1700	11.53	39300
	240		38.2	55	60	1100	1700	15.36	52400
BAYHTR1419 BRKC circuit 1	208		27.7	43	45	1400	1700	5.76	49200
	240		32.0	49	50	1400	1700	7.68	65500
BAYHTR1419 BRKC circuit 2	208		41.6	52	60			8.66	
	240		48.0	60	60			11.52	
BAYHTR1419 BRKC with single circuit power source kit BAYSPEK140B	208		69.3	95	100	1400	1700	14.4	49200
	240		80.0	109	110	1400	1700	19.2	65500
BAYHTR1425 BRKC circuit 1	208		38.1	48	50	1400	1700	7.93	63900
	240		44.0	55	60	1400	1700	10.56	85200
BAYHTR1425 BRKC circuit 2	208		34.6	52	60			7.20	
	240		40.0	59	60			9.60	
BAYHTR1425 BRKC circuit 3	208		17.3	22	25			3.60	
	240		20.0	25	25			4.80	



Electrical Data

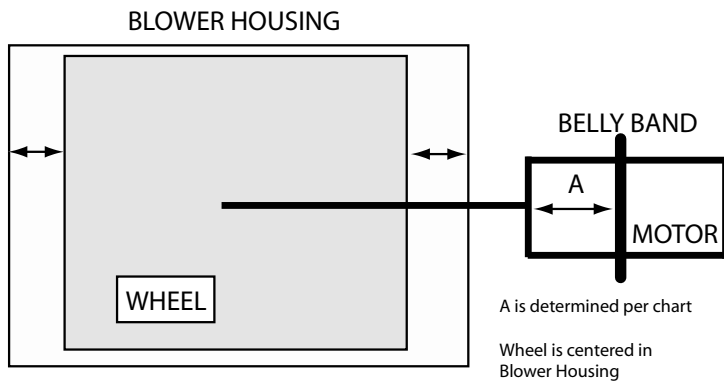
NOTES:										
*** = 000, BRK or PDC - 000 = pigtails, BRK = contains circuit breakers & PDC = contains pull disconnect.										
IMPORTANT: Any power supply and / or combination power supply, circuit or circuits must be wired and protected in accordance with local Electrical codes										
	VOLT	MTR AMPS	HEATER AMPS	MCA	MOP	MIN BLOWER SPEED		CAPACITY		
						WITH OUT HEAT PUMP	WITH HEAT PUMP	KW	TOTAL HEATER BTUH	
2/4TEE3C65		7.5		9	15					
BAYHTR1405***C	208		17.3	31	35	900	1200	3.60	12300	
	240		20.0	34	35	900	1200	4.80	16400	
BAYHTR1408***C	208		27.7	44	45	900	1200	5.76	19700	
	240		32.0	49	50	900	1200	7.68	26200	
BAYHTR1410***C	208		34.6	53	60	1200	1500	7.20	24600	
	240		40.0	59	60	1200	1500	9.60	32800	
BAYHTR1415 BRKC circuit 1	208		34.6	53	60	1200 +	1500 +	7.20	39300	
	240		40.0	59	60	1200 +	1500 +	9.60	52400	
BAYHTR1415 BRKC circuit 2	208		20.8	26	30			4.33		
	240		24.0	30	30			5.76		
BAYHTR1415 BRKC with single circuit power source kit BAYSPEK140B	208		55.4	79	80	1200 +	1500 +	11.5	39300	
	240		64.0	89	90	1200 +	1500 +	15.4	52400	
BAYHTR3410-000C	208		30.0	37	40	1200	1500	7.20	24600	
	240		34.6	43	45	1200	1500	9.60	32800	
BAYHTR3415-000C	208		33.1	49	50	1200 +	1500 +	11.53	39300	
	240		38.2	56	60	1200 +	1500 +	15.36	52400	
BAYHTR1419 BRKC circuit 1	208		27.7	44	45	1200	1500	5.76	49200	
	240		32.0	49	50	1200	1500	7.68	65500	
BAYHTR1419 BRKC circuit 2	208		41.6	52	60			8.66		
	240		48.0	60	60			11.52		
BAYHTR1419 BRKC with single circuit power source kit BAYSPEK140B	208		69.3	96	100	1200	1500	14.4	49200	
	240		80.0	109	110	1200	1500	19.2	65500	
BAYHTR1425 BRKC	circuit 1	208		38.1	48	50	1500	1800	7.93	63900
		240		44.0	55	60	1500	1800	10.56	85200
	circuit 2	208		34.6	53	60			7.20	
		240		40.0	59	60			9.60	
	circuit 3	208		17.3	22	25			3.60	
		240		20.0	25	25			4.80	

(+) - For upflow applications only, minimum speed is 1500 for HP off and 1800 for HP on.



Performance Data

DISTANCE FROM BELLY BAND TO SHAFT FACE OF MOTOR FOR MINIMUM VIBRATION



MODEL	"A" INCHES
2/4TEE3C31A	1-1/8
2/4TEE3C37A	1-1/8
2/4TEE3C40A	1-1/8
2/4TEE3C49A	1-1/2
2/4TEE3C65A	2-1/8
FOR FACTORY OEM MOTORS	

Mounting

AIR HANDLER SUBBASE

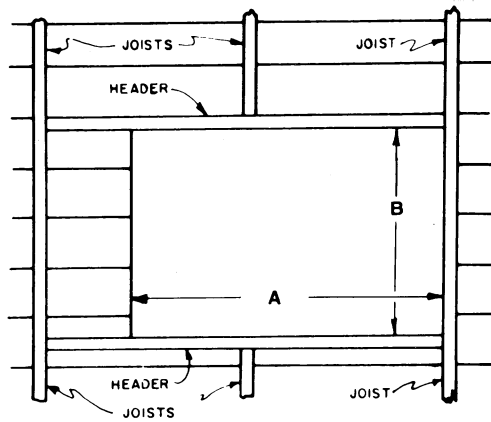


FIG.2

FLOOR OPENING - SIZE		
MODEL NO.	A	B
TAYBASE100	23-3/4	14-13/16
TAYBASE101	21-3/4	14-13/16
TAYBASE102	26-3/4	14-13/16

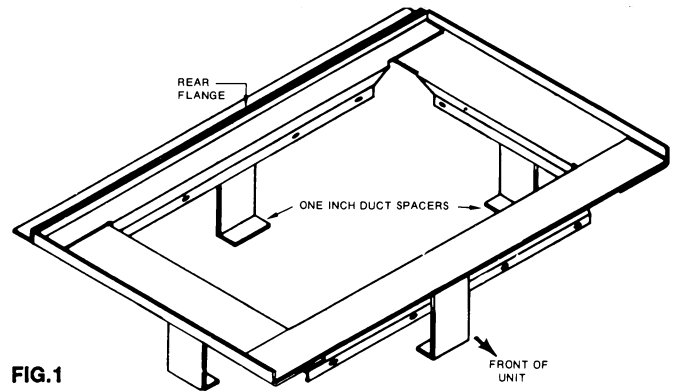


FIG.1

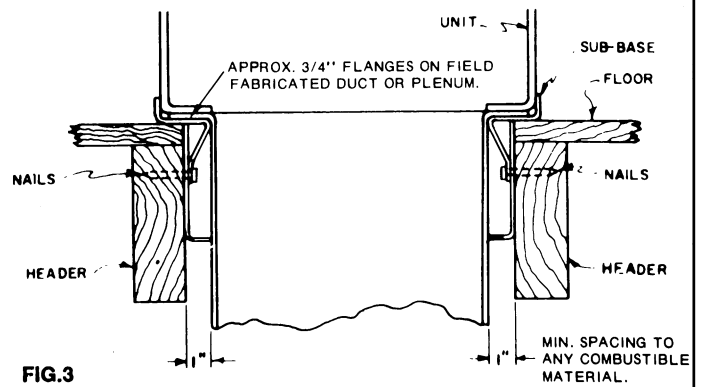


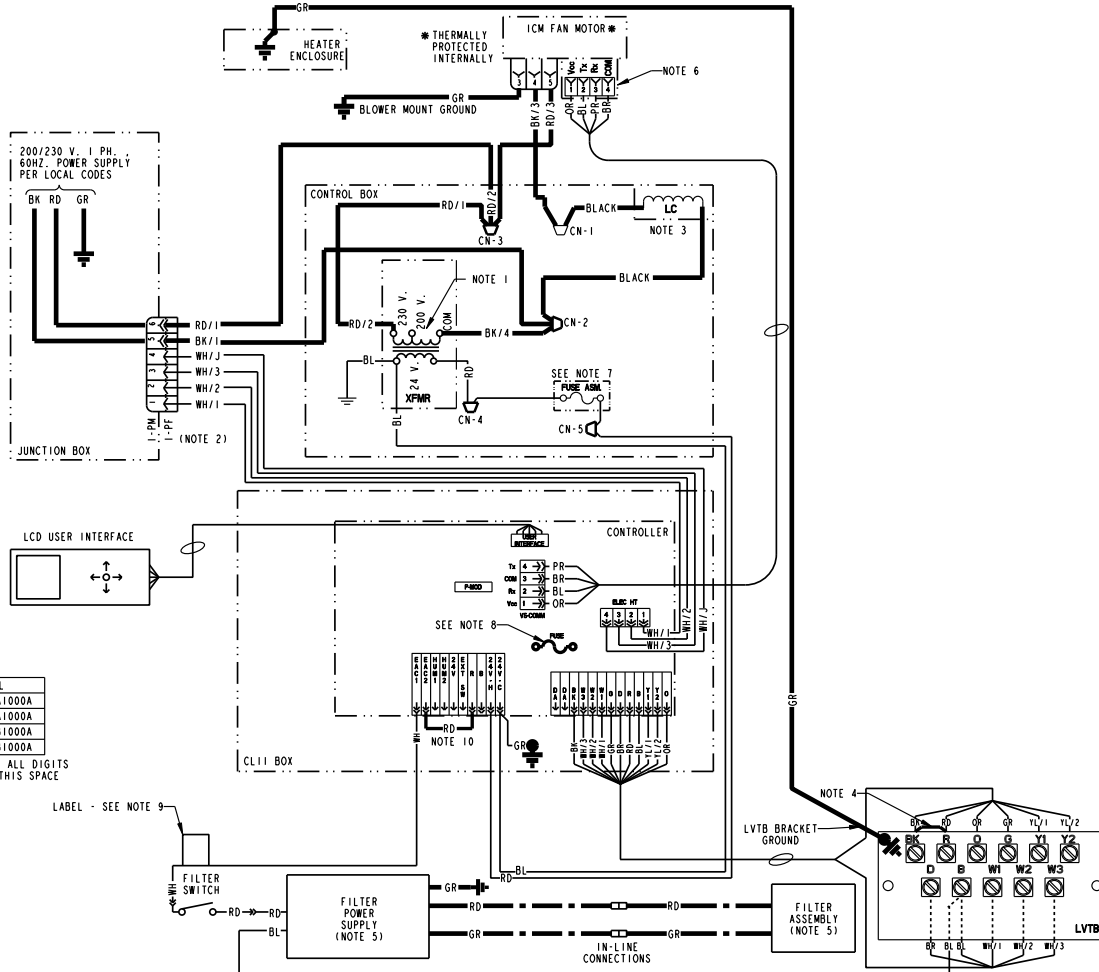
FIG.3



TRANE®

Wiring Diagram

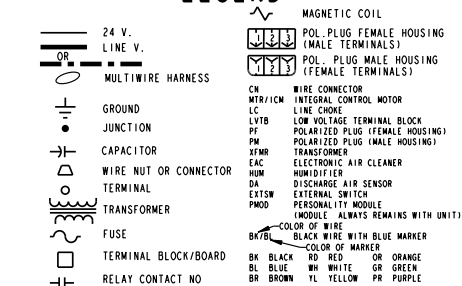
WIRING DIAGRAM FOR VARIABLE SPEED AIR HANDLERS



MODEL
2TEE3C**A1000A
4TEE3C**A1000A
2TEE3D**B1000A
4TEE3D**B1000A

* SIGNIFIES ALL DIGITS USED IN THIS SPACE

LEGEND



NOTES:

1. FOR 200V OPERATION SWAP RED TRANSFORMER LEAD AND INSULATED CAP ON 200V CENTER TRANSFORMER TERMINAL.
2. WHEN HEATERS ARE USED, DISCARD 1-PH WITH ATTACHED LEADS AND CONNECT 1-PH TO THE MATING PLUG IN THE HEATER CONTROL BOX.
3. LINE CHOKER MAY NOT BE USED ON ALL MODELS. IF CHOKER NOT USED, BK/3 MTR (PIN4) LEAD CONNECTS TO BK/2 MTR(L2) TERMINAL.
4. IF OPTIONAL HUMIDISTAT IS USED, REMOVE R TO BK JUMPER ON TERMINAL BOARD AND INSTALL HUMIDISTAT BETWEEN R AND BK. JUMPER R TO O FOR COOLING-ONLY NON-HEAT PUMP SYSTEMS WITH A HUMIDISTAT.
5. FILTER ASSEMBLY, POWER SUPPLY & SWITCH, ARE USED ON 2/4TEE3D**B MODELS ONLY.
6. R_x (RECEIVE) ON MOTOR CONNECTS TO T_x (TRANSMIT) ON BOARD.
7. FOR REPLACEMENT FUSE, USE LITTLE FUSE LMF 3-2/10 OR BUSSMAN GMD 3-2/10.
8. 5 AMP AUTOMOTIVE TYPE FUSE TO PROTECT CONTROL BOARD.
9. ON "C" MODELS, THE WHITE WIRE IS USED TO HOOKUP THE LF0 FILTER POWER SUPPLY OR AN ADD ON EAC (SEE EAC INSTRUCTIONS FOR WIRING).
10. REMOVE THIS JUMPER IF A 240/120 VOLT EAC IS TO BE APPLIED AND CONTROLLED VIA THE AH CONTROL.

WARNING

HAZARDOUS VOLTAGE!
DISCONNECT ALL ELECTRICAL POWER INCLUDING REMOTE DISCONNECTS BEFORE SERVICING.
Failure to disconnect power before servicing can cause severe personal injury or death.

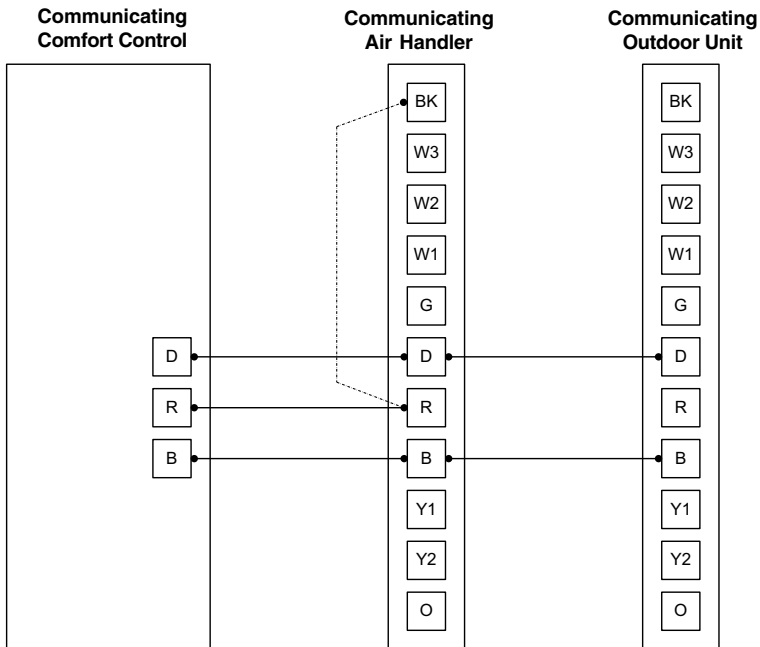
CAUTION

USE COPPER CONDUCTORS ONLY!
UNIT TERMINALS ARE NOT DESIGNED TO ACCEPT OTHER TYPES OF CONDUCTORS.
Failure to do so may cause damage to the equipment.

PRINTED FROM D802059P01 REV07

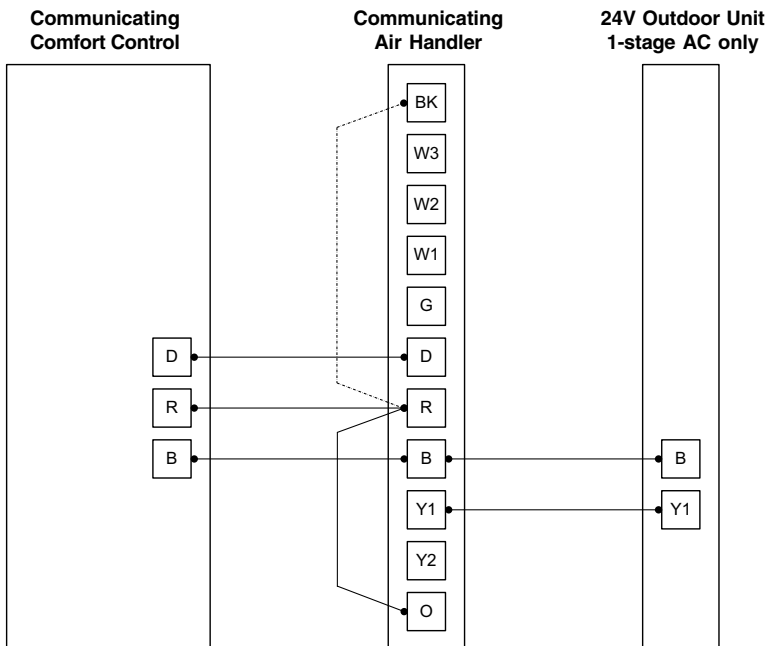
Field Wiring

2/4TEE3C31, 37, 40, 49 & 65A AIR HANDLERS WITH COMMUNICATING COMFORT CONTROL & COMMUNICATING OUTDOOR UNIT



NOTE: See Wiring Diagrams in Service Facts for complete wiring information.

2/4TEE3C31, 37, 40, 49 & 65A AIR HANDLERS WITH COMMUNICATING COMFORT CONTROL, 24V SINGLE STAGE COOLING



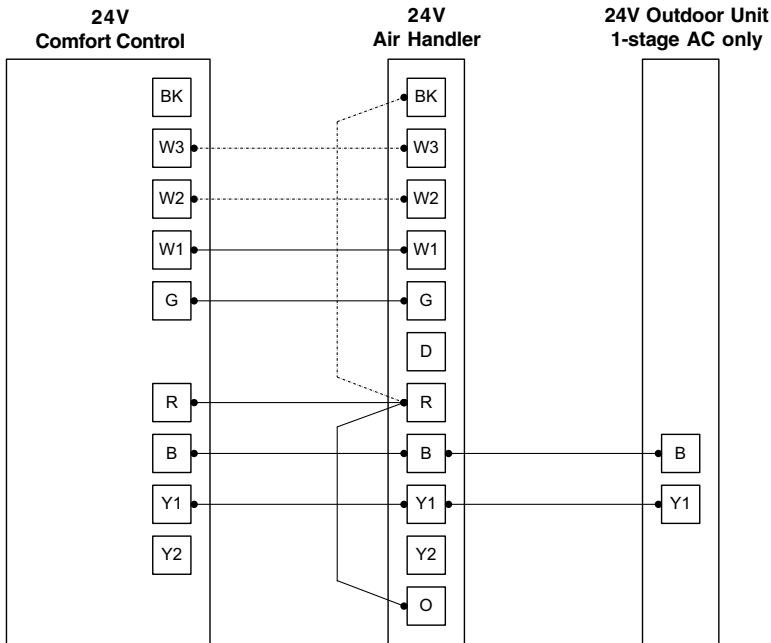
NOTE: See Wiring Diagrams in Service Facts for complete wiring information.



TRANE[®]

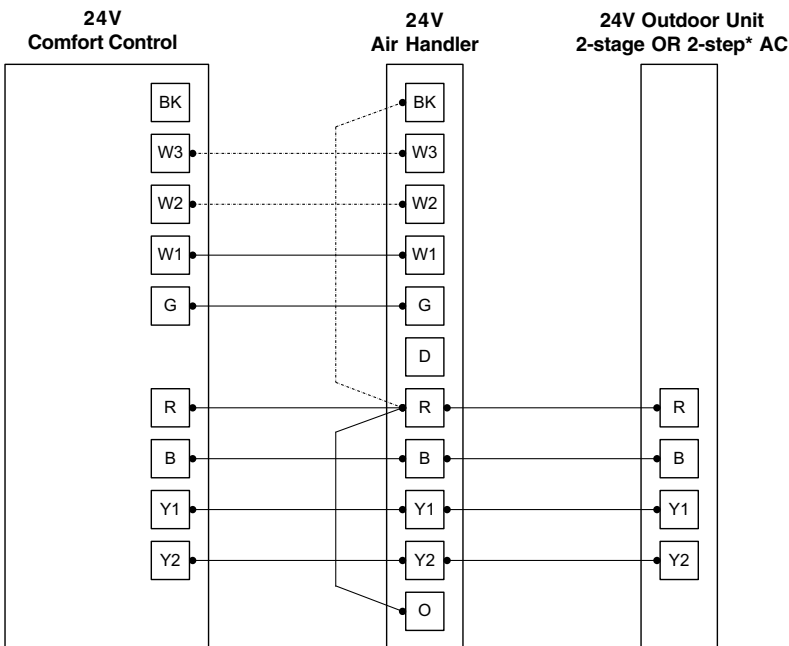
Field Wiring

2/4TEE3C31, 37, 40, 49 & 65A AIR HANDLERS WITH 24V COMFORT CONTROL, 24V SINGLE STAGE COOLING



NOTE: See Wiring Diagrams in Service Facts for complete wiring information.

2/4TEE3C31, 37, 40, 49 & 65A AIR HANDLERS WITH 24V COMFORT CONTROL, 24V 2-STAGE OR 2-STEP* COOLING



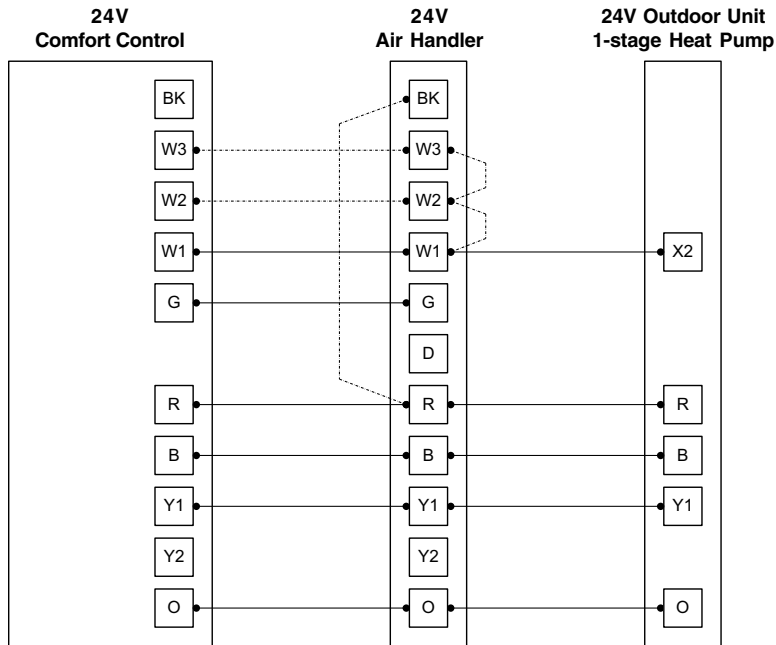
***NOTE:** See User Interface 24V Mode Setup Menu for 1st Stage CFM Options.

- 2-Stage = 50-60%
- 2-Step = 65-80%

NOTE: See Wiring Diagrams in Service Facts for complete wiring information.

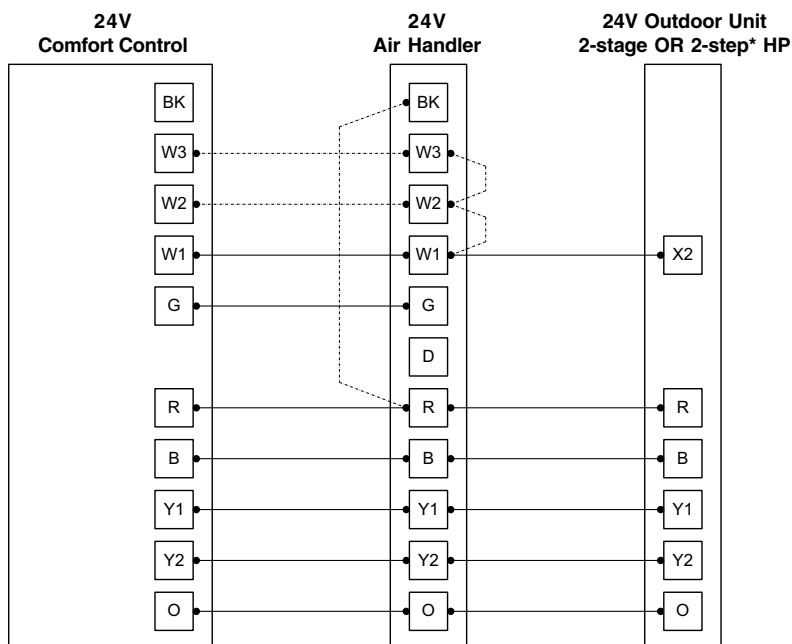
Field Wiring

2/4TEE3C31, 37, 40, 49 & 65A AIR HANDLERS WITH 24V COMFORT CONTROL, 24V 1-STAGE HEAT PUMP



NOTE: See Wiring Diagrams in Service Facts for complete wiring information.

2/4TEE3C31, 37, 40, 49 & 65A AIR HANDLERS WITH 24V COMFORT CONTROL, 24V 2-STAGE OR 2-STEP* HEAT PUMP



***NOTE:** See User Interface 24V Mode Setup Menu for 1st Stage CFM Options.

- 2-Stage = 50-60%
- 2-Step = 65-80%

NOTE: See Wiring Diagrams in Service Facts for complete wiring information.



TRANE®

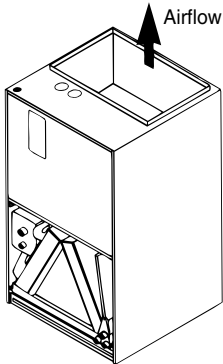
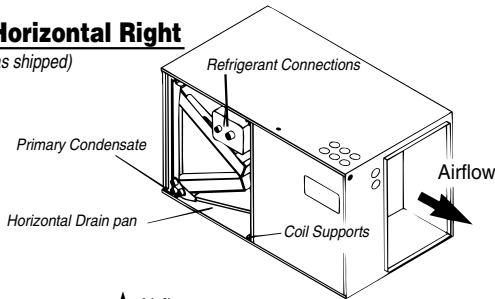
2/4TEE3C31 Through 65 Convertibility

SIX (6) WAY CONVERTIBILITY

One Unit - 4 Applications (Conversions 1-4)

Horizontal Right

(as shipped)



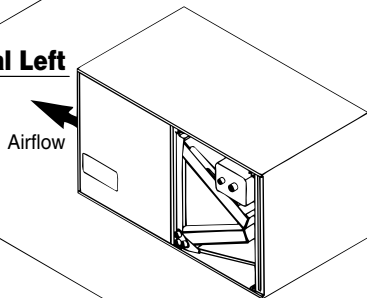
Vertical Upflow

(as shipped)

One-step Conversion
Stand unit on end

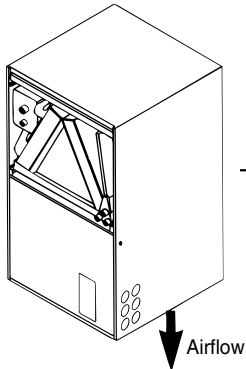
Horizontal Left

Rotate Coil



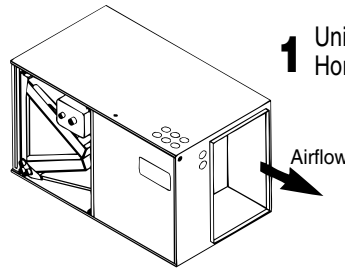
Vertical Downflow

One-step Conversion
from Horizontal left

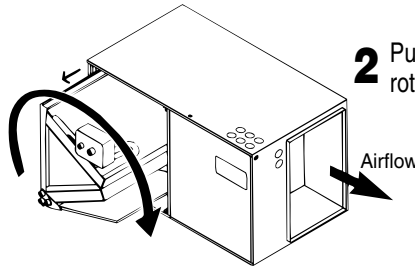


Easy Conversion to Opposite side Access (Conversions 5 & 6)

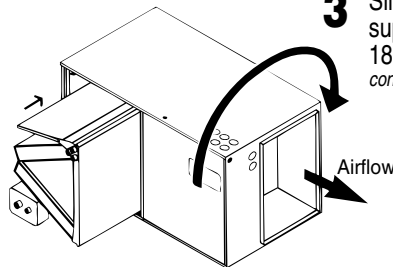
1 Unit is shipped as
Horizontal right



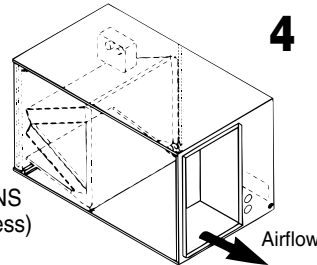
2 Pull coil out and
rotate the coil 180°



3 Slide coil back in on
supports and roll unit
180° (so primary
condensate is down)



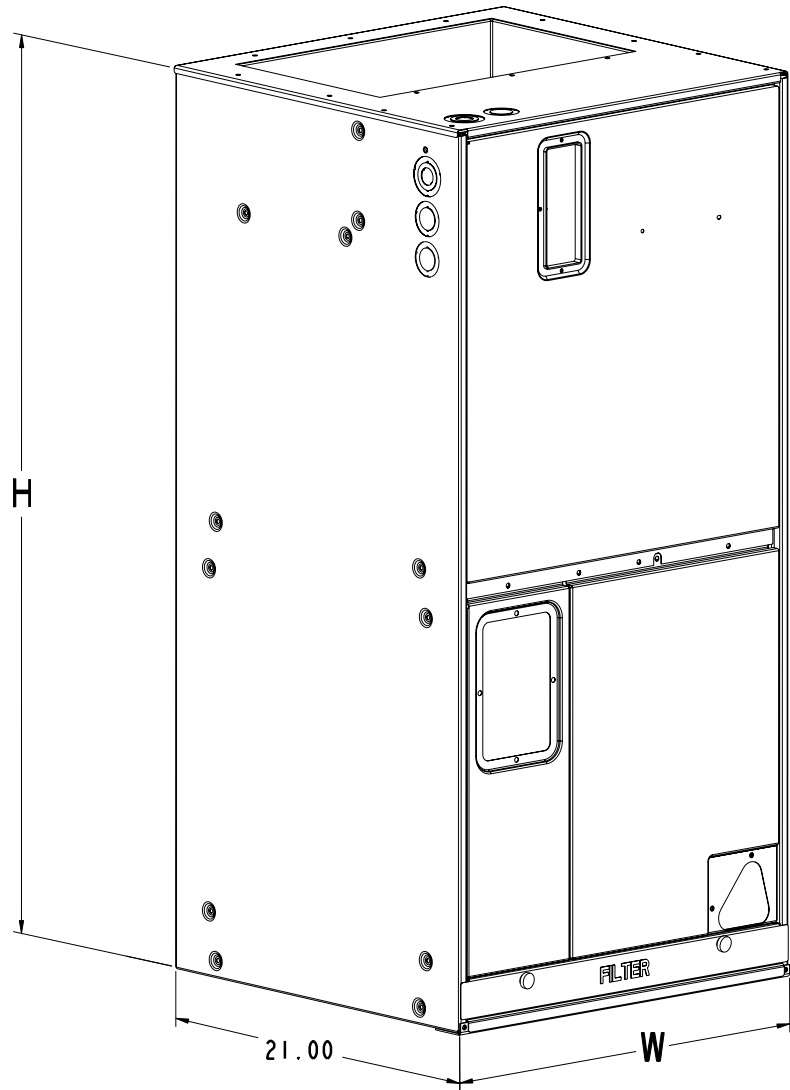
4 Note connections
and access are now
on back side of unit



- 6 CONVERSION APPLICATIONS
1. Horizontal Right - (Front Access)
 2. Vertical Upflow
 3. Horizontal Left - (Front Access)
 4. Vertical Downflow
 5. Horizontal Right - (Rear Access)
 6. Horizontal Left - (Rear Access)

Dimensions

2/4TEE3C31, 37, 40, 49 & 65A1000A AIR HANDLERS DIMENSIONAL DATA



2/4TEE3C 65A
is a two piece cabinet

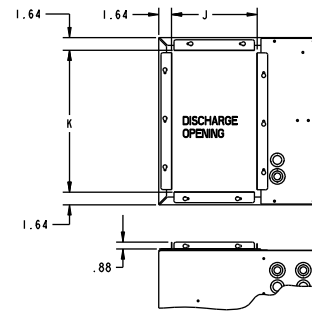
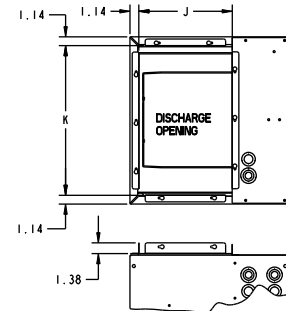
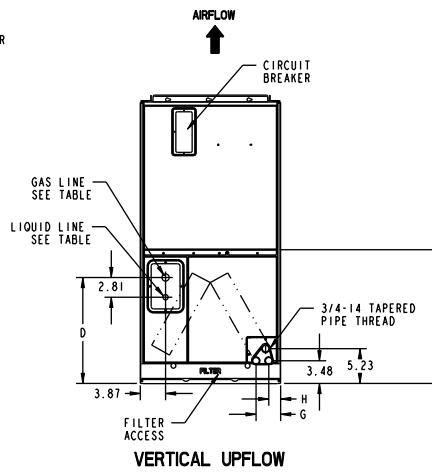
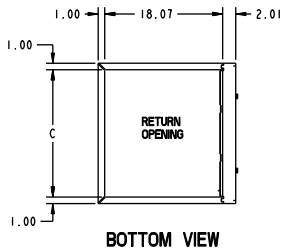
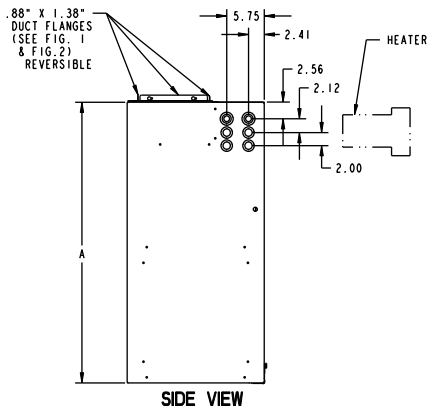
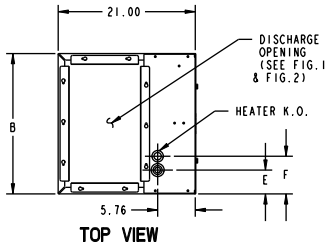
Model No.	H	W
2/4TEE3C31A1000A	43.00	21.50
2/4TEE3C37A1000A	45.00	23.50
2/4TEE3C40A1000A	51.75	26.00
2/4TEE3C49A1000A	57.90	
2/4TEE3C65A1000A	62.75	



TRANE®

Outline Drawings

OUTLINE DRAWING FOR 2/4TEE3C31, 37, 40, 49, 65A



MODEL NO.	FIG. 1		FIG. 2	
	J	K	J	K
2TEE3D31, 4TEE3D31 2TEE3C31, 4TEE3C31		19.5		18.5
2TEE3D37, 2TEE3F39, 4TEE3D37, 4TEE3F39 2TEE3C37, 2TEE3F48, 4TEE3C37, 4TEE3F48 2TEE3F64, 4TEE3F64	12.0	21.5	11.0	20.5
2TEE3D40, 4TEE3D40, 2TEE3C40, 4TEE3C40 2TEE3D49, 4TEE3D49, 2TEE3C49, 4TEE3C49 2TEE3D65, 4TEE3D65, 2TEE3C65, 4TEE3C65		24.0		23.0

MINIMUM UNIT CLEARANCE TABLE		
	TO COMBUSTIBLE MATERIAL (REQUIRED)	SERVICE CLEARANCE (RECOMMENDED)
SIDES	0"	2"
FRONT	0"	21"
BACK	0"	0"
INLET DUCT	0"	1"
OUTLET DUCT	1"	

* 1" FOR THE FIRST 3 FT. OF OUTLET DUCT WHEN ELECTRIC HEATERS ARE INSTALLED.

MODEL NO.	A	B	C	D	E	F	G	H	L	FLOW CONTROL	GAS LINE BRAZE	LIQ. LINE BRAZE
2TEE3D31, 4TEE3D31 2TEE3C31, 4TEE3C31	43	21.50	19.50	15.57	3.65	5.77	3.62	1.89			3/4	5/16
2TEE3D37, 2TEE3C37	45	23.50	21.50	17.57	4.65	6.77			N/A		7/8	
2TEE3D40, 2TEE3C40	51.75			18.33								
2TEE3D49, 2TEE3C49	57.90	26	24	27.12	5.90	8.02	3.21	1.48			1-1/8	
2TEE3D65, 2TEE3C65	62.75								36.00			
4TEE3D37, 4TEE3C37	45	23.50	21.50	17.57	4.65	6.77	3.62	1.89			3/4	
4TEE3D40, 4TEE3C40	51.75			18.33						N/A		
4TEE3D49, 4TEE3C49	57.90	26	24	27.12	5.90	8.02	3.21	1.48			7/8	
4TEE3D65, 4TEE3C65	62.75								36.00			
2TEE3F39	57.90			17.00					31.15			
4TEE3F39											3/4	
2TEE3F48, 2TEE3F64	57.90	23.50	21.50		4.65	6.77	3.62	1.89			1-1/8	
4TEE3F48, 4TEE3F64				26.77					31.15		7/8	



Mechanical Specification Options

Features and General Information

These blower coil units are completely factory assembled including coil, condensate drain pan, fan, motor, and controls in an insulated casing that can be applied in horizontal or vertical configuration.

This new line of 2/4TEE3C air handlers provides exclusive compact size combined with 6-way convertibility in sizes up to 5 ton.

The unit ships in the vertical upflow configuration and converts to right-hand horizontal configuration just by laying the unit on its side. No tools required. Simple coil rotation provides downflow and horizontal left applications.

Comfort Control

Comfortlink II™ Communicating air handler design offers 3-wire connectivity for installation ease. Assures the entire heating and air conditioning system is set up in the proper modes to optimize the engineered performance of the matched system installed.

Casing

These models have a rugged galvanized sheet metal and steel frame construction. The casing is painted with an enamel finish. The casing is insulated and provides knockouts for electrical power and control wiring.

Refrigerant Circuits

The 2/4TEE3C units have a single refrigerant circuit. The refrigerant circuit is controlled by a factory installed non-bleed thermal expansion valve (TXV).

Coil

Aluminum fin surface is mechanically bonded to 3/8-inch OD copper tubing. Coils are factory pressure and leak tested.

Fan

The blower housing is forward curved, dynamically balanced with a variable speed direct drive fan motor. The variable speed ECM fan motor is permanently lubricated.

Controls

Low voltage terminal board, fan contactor, and plug-in module for accessory electric heat control is included. 2/4TEE3C models also have a check valve.

Electric Heaters

Heaters for the 2/4TEE3C air handlers are available in a wide range of capacities and voltages with various staging options, and plug-in control wiring. Heaters fit inside the internal compartment.



TRANE®

Trane
6200 Troup Highway
Tyler, TX 75707
www.trane.com
