



**TRANE®**

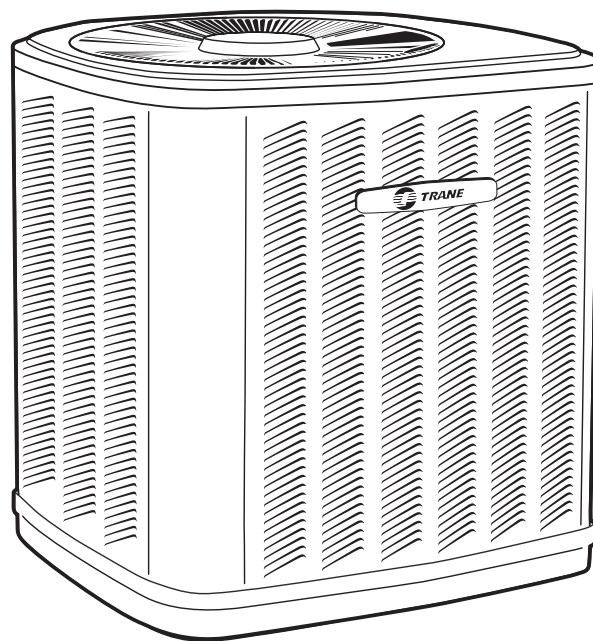
SS-PRC024-EN

# Split System Cooling Product & Performance Data

---

**XB 13**  
**4TTB3018-060**

**1½ – 5 Tons**



---

**PUB. NO. 22-1794-01-1006 (EN)**



# Features and Benefits

---

- **Climatuff**® compressor
- Efficiency up to 13.25 SEER
- All aluminum **Spine Fin**™ coil
- **WeatherGuard**™ fasteners
- **Quick-Sess**™ cabinet, easy service access and refrigerant connections with full coil protection
- **DuraTuff**™ base, fast complete drain, weather proof
- Glossy corrosion resistant finish
- Internal compressor high/low pressure and temperature protection
- 018, 024, 030 and 060 ship with start kit
- Liquid line filter-drier
- Polyslate gray cabinet
- R-410A refrigerant
- **5 year limited warranty on compressor, coil, and 5 years on parts (Residential Use)**
- **Extended warranties available**
- S.E.E.T. design testing
- 100% line run test
- Low ambient cooling to 55°F as shipped
- Low ambient cooling to 30°F with EDC accessory AY28X079 and TXV
- Low ambient cooling to 0°F with BAYLOAM103 and TXV

# Contents

---

## Features and Benefits

**2**

## General Data

**4**

Product Specifications

4

A-weighted Sound Power Level [dB(A)]

4

Accessory Description and Usage

5

ARI Standard Capacity Rating Conditions

5

## Model Nomenclature

**6**

## Performance Data Cooling

**7**

4TTB3018A1

7

4TTB3024A1

10

4TTB3030A1

17

4TTB3036A1

28

4TTB3042A1

42

4TTB3048A1

53

4TTB3060A1

64

## Electrical Data

**68**

## Dimensions

**71**

## Mechanical Specification Options

**72**



# General Data

## Product Specifications

Model No. ①	4TTB3018A1	4TTB3024A1	4TTB3030A1	4TTB3036A1
Electrical Data V/Ph/Hz ②	200/230/1/60	200/230/1/60	200/230/1/60	208/230/1/60
Min Cir Ampacity	9	12	15	20
Max Fuse Size (Amps)	15	20	25	35
Compressor	CLIMATUFF®	CLIMATUFF®	CLIMATUFF®	CLIMATUFF® - SCROLL
RL Amps - LR Amps	6.4 - 38.6	8.8 - 57.8	11.1 - 63	15.4 - 83
Outdoor Fan FL Amps	0.7	0.7	0.7	0.7
Fan HP	1/8	1/8	1/8	1/8
Fan Dia (inches)	23.0	23.0	23.0	23.0
Coil	Spine Fin™	Spine Fin™	Spine Fin™	Spine Fin™
Refrigerant R-410A	5/04-LB/OZ	5/10-LB/OZ	5/11-LB/OZ	6/07-LB/OZ
Line Size - (in.) O.D. Gas ③	1/2	5/8	3/4	3/4
Line Size - (in.) O.D. Liquid ③	1/4	5/16	5/16	3/8
Charge Spec. Subcooling	10°	10°	10°	10°
Dimensions H x W x D (Crated)	38 x 30.1 x 33	38 x 30.1 x 33	38 x 30.1 x 33	42 x 30.1 x 33
Weight - Shipping	220	222	222	236
Weight - Net	192	195	195	208
Start Components	YES	YES	YES	NO
Sound Enclosure	YES	YES	YES	NO
Compressor Sump Heat	NO	NO	NO	NO
<b>Optional Accessories: ④</b>				
Anti-short Cycle Timer	TAYASCT501A	TAYASCT501A	TAYASCT501A	TAYASCT501A
Evaporator Defrost Control	AY28X079	AY28X079	AY28X079	AY28X079
Rubber Isolator Kit	BAYISLT101	BAYISLT101	BAYISLT101	BAYISLT101
Extreme Condition Mounting Kit	BAYECMT001	BAYECMT001	BAYECMT001	BAYECMT001
Start Kit				BAYSKT260
Crankcase Heater Kit	BAYCCHT300	BAYCCHT300	BAYCCHT300	BAYCCHT300
Seacoast Kit	BAYSEAC001	BAYSEAC001	BAYSEAC001	BAYSEAC001
Low Ambient Kit	BAYLOAM103	BAYLOAM103	BAYLOAM103	BAYLOAM103
Refrigerant Lineset ⑤	TAYREFLN5*	TAYREFLN6*	TAYREFLN2*	TAYREFLN7*

① Certified in accordance with the Unitary Air-Conditioner equipment certification program which is based on ARI Standard 210/240.

② Calculated in accordance with N.E.C. Only use HACR circuit breakers or fuses.

③ Standard line lengths - 60'. Standard lift - 60' Suction and Liquid line.

For Greater lengths and lifts refer to refrigerant piping software Pub# 32-3312-01. (\*denotes latest revision)

④ For accessory description and usage, see page 5.

⑤ \* = 15, 20, 25, 30, 40 and 50 foot lineset available.

## A-weighted Sound Power Level [dB(A)]

MODEL	SOUND POWER LEVEL [dB(A)]	A-WEIGHTED FULL OCTAVE SOUND POWER LEVEL dB - [dB(A)]							
		63	125	250	500	1000	2000	4000	8000
4TTB3018A1	78	45.5	59.6	62.2	69.3	71.1	70.9	62.2	54.3
4TTB3024A1	78	47.9	60.5	64.1	71.2	71.2	69.0	58.2	51.5
4TTB3030A1	78	49.0	60.2	66.0	70.3	71.4	69.8	60.4	53.0
4TTB3036A1	78	45.5	58.7	63.1	69.7	70.0	68.1	59.0	49.8
4TTB3042A1	79	47.5	64.5	67.0	75.3	74.0	70.7	62.2	52.8
4TTB3048A1	79	47.4	60.0	66.9	75.3	73.5	70.3	62.0	51.4
4TTB3060A1	80	47.3	55.7	69.0	72.7	75.8	69.4	62.2	53.3

Note: Tested in accordance with ARI Standard 270.95. (Not listed with ARI)

# General Data

## Product Specifications

Model No. ①	4TTB3042A1	4TTB3048A1	4TTB3060A1
Electrical Data V/Ph/Hz ②	208/230/1/60	208/230/1/60	208/230/1/60
Min Cir Ampacity	25	27	36
Max Fuse Size (Amps)	40	45	60
Compressor	CLIMATUFF® - SCROLL	CLIMATUFF® - SCROLL	CLIMATUFF® - SCROLL
RL Amps - LR Amps	18.6 - 105	20.5 - 109	27.6 - 158
Outdoor Fan FL Amps	1.3	1.3	1.3
Fan HP	1/4	1/4	1/4
Fan Dia (inches)	27.6	27.6	27.6
Coil	Spine Fin™	Spine Fin™	Spine Fin™
Refrigerant R-410A	7/00-LB/OZ	7/04-LB/OZ	8/06-LB/OZ
Line Size - (in.) O.D. Gas ③	3/4	7/8	7/8
Line Size - (in.) O.D. Liquid ③	3/8	3/8	3/8
Charge Spec. Subcooling	13°	10°	10°
Dimensions H x W x D (Crated)	38.4 x 35.1 x 38.7	38.4 x 35.1 x 38.7	46.4 x 35.1 x 38.7
Weight - Shipping	257	261	287
Weight - Net	224	228	251
Start Components	NO	NO	YES
Sound Enclosure	NO	NO	NO
Compressor Sump Heat	NO	NO	YES
<b>Optional Accessories: ④</b>			
Anti-short Cycle Timer	TAYASCT501A	TAYASCT501A	TAYASCT501A
Evaporator Defrost Control	AY28X079	AY28X079	AY28X079
Rubber Isolator Kit	BAYISLT101	BAYISLT101	BAYISLT101
Extreme Condition Mounting Kit	BAYECMT001	BAYECMT001	BAYECMT001
Start Kit	BAYKSKT260	BAYKSKT260	
Crankcase Heater Kit	BAYCCHT301	BAYCCHT301	BAYCCHT301
Seacoast Kit	BAYSEAC001	BAYSEAC001	BAYSEAC001
Low Ambient Kit	BAYLOAM103	BAYLOAM103	BAYLOAM103
Refrigerant Lineset ⑤	TAYREFLN7*	TAYREFLN3*	TAYREFLN3*

### Accessory Description and Usage

**Anti-Short Cycle Timer** — Solid state timing device that prevents compressor recycling until five (5) minutes have elapsed after satisfying call or power interruptions. Use in area with questionable power delivery, commercial applications, long lineset, etc.

**Evaporator Defrost Control** — SPST Temperature actuated switch that cycles the condenser off as indoor coil reaches freeze-up conditions. Used for low ambient cooling to 30°F with TXV.

**Rubber Isolators** — Five (5) large rubber donuts to isolate condensing unit from transmitting energy into mounting frame or pad. Use on any application where sound transmission needs to be minimized.

**Hard Start kit** — Start capacitor and relay to assist compressor motor startup. Use in areas with marginal power supply, on long linesets, low ambient conditions, etc.

**Extreme Condition Mount Kit** — Bracket kits to securely mount condensing unit to a frame or pad without removing any panels. Use in areas with high winds, or on commercial roof tops, etc.

### ARI Standard Capacity Rating Conditions

#### ARI STANDARD 210/240 RATING CONDITIONS —

- (A) Cooling 80°F DB, 67°F WB air entering indoor coil, 95°F DB air entering outdoor coil.
- (B) High Temperature Heating 47°F DB, 43°F WB air entering outdoor coil, 70°F DB air entering indoor coil.
- (C) Low Temperature Heating 17°F DB, 15°F WB air entering outdoor coil, 70°F DB air entering indoor coil.
- (D) Rated indoor airflow for heating is the same as for cooling.

**ARI STANDARD 270 RATING CONDITIONS** — (Noise rating numbers are determined with the unit in cooling operation.) Standard Noise Rating number is at 95°F outdoor air.



ARI Standard  
210/240 UAC





# Model Nomenclature

## Outdoor Units

4 T T B 3 0 3 6 A 1 0 0 0 A

- Refrigerant Type**
  - 2 = R-22
  - 4 = R-410A
- TRANE**
- Product Type**
  - W = Split Heat Pump
  - T = Split Cooling
- Product Family**
  - Z = Leadership – Two Stage
  - X = Leadership
  - R = Replacement/Retail
  - B = Basic
  - A = Light Commercial
- Family SEER**
  - 0 = 10    3 = 13    6 = 16
  - 1 = 11    4 = 14    8 = 18
  - 2 = 12    5 = 15    9 = 19
- Split System Connections 1-6 Tons**
  - 0 = Brazed
- Nominal Capacity in 000s of BTUs**
- Major Design Modifications**
- Power Supply**
  - 1 = 200-230/1/60 or 208-230/1/60
  - 3 = 200-230/3/60
  - 4 = 460/3/60
- Secondary Function**
- Minor Design Modifications**
- Unit Parts Identifier**

## High Efficiency Furnaces

T U D 1 B 0 8 0 A 9 H 3 1 A A

- Furnace Configuration**
  - TU = Upflow / Horizontal
  - TD = Downflow / Horizontal
- Type**
  - D = 80% Premium
  - X = 90% Premium
- Number of Heating Stages**
  - 1 = Single Stage
  - 2 = Two Stage
  - 3 = Three Stage
- Cabinet Width**
  - A = 14.5" Cabinet Width
  - B = 17.5" Cabinet Width
  - C = 21.0" Cabinet Width
  - D = 24.5" Cabinet Width
- Heating Input**
  - 080 = 80,000 BTUH
- Major Design Change**
- Power Supply / Fuel**
  - 9 = 115 Volts / Natural Gas
  - F = 115 Volts / Natural Gas with Integrated iFD Filter
- Airflow Capacity for Cooling**
  - 36 = 3 Ton Standard PSC Motor
  - H3 = 3 Ton High Efficiency Motor
  - V3 = 3 Ton Variable Speed Motor
- Draft Inducer Speeds**
  - 1 = Single Speed
  - 2 = Two Speed
  - V = Variable Speed
- Minor Design Change**
- Service Digit – Not Orderable**

## Air Handlers – Residential

4 T E E 3 F 3 6 A 1 0 0 0 A

- Refrigerant Type**
  - 4 = R-410A
  - 2 = R-22
- Application**
  - TE = Fully Convertible
  - TG = Semi Convertible
  - TF = Front Return
  - TV = Vertical
- Product Family**
  - E = Leadership – Variable Speed
  - P = Leadership
  - C = Replacement/Retail
  - B = Basic
- Flow Control**
  - 3 = Nonbleed TXV
  - 4 = FCCV\*
- Feature Identifier**
  - 0 = Standard Unit
  - F = Air-Tite™
- Nominal Capacity in 000s of BTUs**
- Major Design Modifications**
- Power Supply**
  - 1 = Single Phase
- Electrical Connection**
  - 0 = Pig Tails
  - B = Circuit Breaker
  - D = Pull Disconnect
- Future Option – Factory Installed Heater Nominal KW Value**
- Minor Design Modifications**
- Unit Parts Identifier**

NOTE: There will be a phase-in of new model numbers for new air handlers over next 2 years.  
\*Shipped with R-22 FCCV

## Heat Pump / Cooling Coils

2 T X C B 0 3 6 A C 3 H C A A

- Refrigerant Type**
  - 2 = R-22    4 = R-410A
- Product Family**
  - T = Premium (Heat Pump or Convertible Coil)
  - C = Standard (Cooling Only)
- Coil Design**
  - X = Direct Expansion Evaporator Coil
- Product Family**
  - C = Cased A Coil
  - A = Uncased A Coil
  - F = Cased Horizontal Flat Coil
- Coil Width (Cased / Uncased)**
  - A = 14.5" / 13.3"    C = 21.0" / 19.8"    H = 10.5"
  - B = 17.5" / 16.3"    D = 24.5" / 23.3"
- Refrigerant Line Coupling**
  - 0 = Brazed
- Nominal Capacity in 000s of BTUs**
- Major Design Change**
- Efficiency**
  - C = Standard    S = Hi Efficiency
- Refrigerant Control**
  - 3 = TXV – Non-Bleed
- Coil Circuitry**
  - H = Heat Pump
  - C = Cooling Only
- Airflow Configuration**
  - A = Upflow Only
  - U = Upflow / Downflow
  - H = Horizontal Only
  - C = Convertible – Upflow, Downflow, Left Airflow
  - M = Convertible – Upflow, Downflow, Left or Right Airflow
- Minor Design Change**
- Unit Parts Identifier**



# Performance Data Cooling

## 4TTB3018A1

### 4TTB3018A1 WITH 4TXCA018AC3 AT 600 CFM

O.D. D.B.	I.D. W.B.	TOT. CAP.	SENS. CAP. AT ENTERING D.B. TEMP.				TOTAL KW
			72	75	78	80	
85	59	17.6	13.9	15.6	16.8	16.6	1.52
	63	18.3	11.3	13.0	14.7	15.8	1.53
	67	19.8	9.0	10.7	12.4	13.5	1.55
	71	21.3	6.6	8.3	10.0	11.1	1.57
95	59	16.1	13.3	15.0	16.1	16.1	1.64
	63	16.8	10.7	12.4	14.1	15.2	1.65
	67	18.1	8.4	10.0	11.7	12.8	1.67
	71	19.6	6.0	7.7	9.4	10.5	1.69
105	59	15.4	12.9	14.6	15.4	15.4	1.69
	63	16.1	10.4	12.1	13.8	14.9	1.70
	67	17.3	8.1	9.7	11.4	12.5	1.73
	71	18.7	5.7	7.4	9.1	10.2	1.75
115	59	13.2	12.0	13.2	13.2	13.2	1.87
	63	13.8	9.5	11.2	12.8	13.8	1.88
	67	14.8	7.1	8.8	10.5	11.6	1.91
	71	16.0	4.8	6.5	8.2	9.3	1.93

### CORRECTION FACTORS FOR OTHER AIRFLOWS (MULTIPLY DATA BY FACTOR)

AIRFLOW	TOTAL CAPACITY	SENSIBLE CAPACITY
LOW	525	0.98
HIGH	675	1.02

NOTE: ALL TABLES ABOVE ARE AT ARI RATING CONDITIONS RATED WITH 25 FEET OF REFRIGERANT LINES.  
 \* DRY COIL CONDITION (TOTAL CAPACITY = SENSIBLE CAPACITY)  
 TOTAL CAPACITY, COMP. KW AND APP. DEW PT. ARE VALID ONLY FOR WET COIL. ALL TEMPERATURES IN DEGREES F.

### CORRECTION FACTORS FOR OTHER COMBINATIONS (MULTIPLY DATA BY FACTOR)

INDOOR MODEL	CFM	MBTUH TOT	MBTUH SEN	SYST KW
2TEH3F18A1+4AYTXVH-3	NOMINAL	600	1.05	1.07
	LOW	525	1.03	1.03
	HIGH	675	1.07	1.10
2TFB3F18B1+4AYTXVH-3	NOMINAL	600	1.02	1.01
	LOW	525	0.99	0.98
	HIGH	675	1.04	1.05
2TGB3F18A1+4AYTXVH-3	NOMINAL	600	1.02	1.01
	LOW	525	0.99	0.98
	HIGH	675	1.04	1.04
2TGB3F25A1+4AYTXVH-3	NOMINAL	600	1.02	1.01
	LOW	525	0.99	0.98
	HIGH	675	1.04	1.04
4CXAA018AC3	NOMINAL	600	0.96	0.98
	LOW	525	0.94	0.95
	HIGH	675	0.98	1.01
4CXAA018AC3+TDD060R9V3	NOMINAL	600	0.98	1.02
	LOW	525	0.97	0.99
	HIGH	675	1.00	1.05
4CXAA018AC3+TDD080R9V3	NOMINAL	600	0.98	1.02
	LOW	525	0.97	0.99
	HIGH	675	1.00	1.05
4CXAA018AC3+TDY060R9V3	NOMINAL	600	0.99	1.01
	LOW	525	0.97	0.98
	HIGH	675	1.01	1.04
4CXAA018AC3+TUD060R9V3	NOMINAL	600	0.99	1.02
	LOW	525	0.97	0.99
	HIGH	675	1.01	1.05
4CXAA018AC3+TUD100R9V3	NOMINAL	600	0.99	1.02
	LOW	525	0.97	0.99
	HIGH	675	1.01	1.05
4CXAA018AC3+TUY060R9V3	NOMINAL	600	0.98	1.01
	LOW	525	0.97	0.98
	HIGH	675	1.00	1.05

### CORRECTION FACTORS FOR OTHER COMBINATIONS (MULTIPLY DATA BY FACTOR)

INDOOR MODEL	CFM	MBTUH TOT	MBTUH SEN	SYST KW
4CXAA024AC3	NOMINAL	600	0.98	1.00
	LOW	525	0.96	0.97
	HIGH	675	1.00	1.03
4CXAA024AC3+TDD060R9V3	NOMINAL	600	1.01	1.04
	LOW	525	0.98	1.01
	HIGH	675	1.03	1.08
4CXAA024AC3+TDD080R9V3	NOMINAL	600	1.01	1.04
	LOW	525	0.98	1.01
	HIGH	675	1.03	1.08
4CXAA024AC3+TDY060R9V3	NOMINAL	600	1.00	1.02
	LOW	525	0.98	0.99
	HIGH	675	1.02	1.05
4CXAA024AC3+TUD060R9V3	NOMINAL	600	1.01	1.04
	LOW	525	0.98	1.01
	HIGH	675	1.03	1.07
4CXAA024AC3+TUD100R9V3	NOMINAL	600	1.00	1.04
	LOW	525	0.98	1.01
	HIGH	675	1.02	1.07
4CXAA024AC3+TUY060R9V3	NOMINAL	600	1.01	1.04
	LOW	525	0.98	1.01
	HIGH	675	1.03	1.07
4CXAB025AC3	NOMINAL	600	1.01	1.03
	LOW	525	0.98	1.00
	HIGH	675	1.03	1.06
4CXAB025AC3+TDD060R9V3	NOMINAL	600	1.03	1.07
	LOW	525	1.01	1.03
	HIGH	675	1.05	1.10
4CXAB025AC3+TDD080R9V3	NOMINAL	600	1.03	1.07
	LOW	525	1.01	1.03
	HIGH	675	1.05	1.10
4CXAB025AC3+TDY060R9V3	NOMINAL	600	1.03	1.05
	LOW	525	1.00	1.02
	HIGH	675	1.05	1.08
4CXAB025AC3+TUD060R9V3	NOMINAL	600	1.03	1.06
	LOW	525	1.00	1.03
	HIGH	675	1.05	1.09
4CXAB025AC3+TUD100R9V3	NOMINAL	600	1.04	1.07
	LOW	525	1.01	1.04
	HIGH	675	1.06	1.11
4CXAB025AC3+TUY060R9V3	NOMINAL	600	1.03	1.07
	LOW	525	1.01	1.03
	HIGH	675	1.05	1.10
4CXAB031AC3	NOMINAL	600	1.01	1.03
	LOW	525	0.98	1.00
	HIGH	675	1.03	1.06
4CXAB031AC3+TDD060R9V3	NOMINAL	600	1.03	1.07
	LOW	525	1.01	1.03
	HIGH	675	1.05	1.10
4CXAB031AC3+TDD080R9V3	NOMINAL	600	1.04	1.08
	LOW	525	1.02	1.05
	HIGH	675	1.06	1.11
4CXAB031AC3+TDY060R9V3	NOMINAL	600	1.04	1.07
	LOW	525	1.01	1.03
	HIGH	675	1.06	1.10
4CXAB031AC3+TUD060R9V3	NOMINAL	600	1.04	1.07
	LOW	525	1.01	1.04
	HIGH	675	1.06	1.11
4CXAB031AC3+TUD100R9V3	NOMINAL	600	1.03	1.07
	LOW	525	1.01	1.03
	HIGH	675	1.05	1.10
4CXCA018AC3	NOMINAL	600	0.97	0.99
	LOW	525	0.95	0.96
	HIGH	675	0.99	1.01



# Performance Data Cooling

## 4TTB3018A1

**CORRECTION FACTORS FOR OTHER COMBINATIONS (MULTIPLY DATA BY FACTOR)**

INDOOR MODEL		CFM	MBTUH TOT	MBTUH SEN	SYST KW
4CXCA018AC3+TDD060R9V3	NOMINAL	600	0.99	1.03	0.97
	LOW	525	0.98	1.00	0.96
	HIGH	675	1.01	1.06	0.98
4CXCA018AC3+TDD080R9V3	NOMINAL	600	0.99	1.03	0.97
	LOW	525	0.98	1.00	0.96
	HIGH	675	1.01	1.06	0.98
4CXCA018AC3+TDY060R9V3	NOMINAL	600	0.99	1.01	0.94
	LOW	525	0.97	0.98	0.93
	HIGH	675	1.01	1.04	0.95
4CXCA018AC3+TUD060R9V3	NOMINAL	600	0.99	1.02	0.97
	LOW	525	0.97	0.99	0.96
	HIGH	675	1.01	1.05	0.98
4CXCA018AC3+TUD100R9V3	NOMINAL	600	0.99	1.02	0.96
	LOW	525	0.97	0.99	0.95
	HIGH	675	1.01	1.05	0.97
4CXCA018AC3+TUY060R9V3	NOMINAL	600	0.99	1.02	0.96
	LOW	525	0.98	0.99	0.95
	HIGH	675	1.01	1.05	0.97
4CXCA024AC3	NOMINAL	600	0.97	1.00	0.95
	LOW	525	0.95	0.97	0.95
	HIGH	675	0.99	1.03	0.96
4CXCA024AC3+TDD060R9V3	NOMINAL	600	0.99	1.04	0.97
	LOW	525	0.98	1.01	0.96
	HIGH	675	1.01	1.07	0.98
4CXCA024AC3+TDD080R9V3	NOMINAL	600	0.99	1.04	0.97
	LOW	525	0.98	1.01	0.96
	HIGH	675	1.01	1.07	0.98
4CXCA024AC3+TDY060R9V3	NOMINAL	600	1.00	1.03	0.95
	LOW	525	0.98	1.00	0.95
	HIGH	675	1.02	1.06	0.96
4CXCA024AC3+TUD060R9V3	NOMINAL	600	0.99	1.03	0.97
	LOW	525	0.98	1.00	0.96
	HIGH	675	1.01	1.06	0.98
4CXCA024AC3+TUD100R9V3	NOMINAL	600	0.99	1.03	0.96
	LOW	525	0.97	1.00	0.95
	HIGH	675	1.01	1.06	0.97
4CXCA024AC3+TUY060R9V3	NOMINAL	600	0.99	1.03	0.96
	LOW	525	0.98	1.00	0.95
	HIGH	675	1.01	1.06	0.97
4CXCB025AC3	NOMINAL	600	1.01	1.03	0.99
	LOW	525	0.98	1.00	0.98
	HIGH	675	1.03	1.06	1.00
4CXCB025AC3+TDD060R9V3	NOMINAL	600	1.03	1.07	1.00
	LOW	525	1.01	1.03	0.99
	HIGH	675	1.05	1.10	1.01
4CXCB025AC3+TDD080R9V3	NOMINAL	600	1.03	1.07	1.01
	LOW	525	1.01	1.03	1.00
	HIGH	675	1.05	1.10	1.02
4CXCB025AC3+TDY060R9V3	NOMINAL	600	1.03	1.05	0.97
	LOW	525	1.00	1.02	0.96
	HIGH	675	1.05	1.08	0.98
4CXCB025AC3+TUD060R9V3	NOMINAL	600	1.03	1.06	0.99
	LOW	525	1.00	1.03	0.98
	HIGH	675	1.05	1.09	1.00
4CXCB025AC3+TUD100R9V3	NOMINAL	600	1.04	1.07	1.00
	LOW	525	1.01	1.04	0.99
	HIGH	675	1.06	1.11	1.01
4CXCB025AC3+TUY060R9V3	NOMINAL	600	1.03	1.07	0.99
	LOW	525	1.01	1.03	0.98
	HIGH	675	1.05	1.10	1.00
4CXCB031AC3	NOMINAL	600	1.01	1.03	0.99
	LOW	525	0.98	1.00	0.98
	HIGH	675	1.03	1.06	1.00

**CORRECTION FACTORS FOR OTHER COMBINATIONS (MULTIPLY DATA BY FACTOR)**

INDOOR MODEL		CFM	MBTUH TOT	MBTUH SEN	SYST KW
4CXCB031AC3+TDD060R9V3	NOMINAL	600	1.03	1.07	1.00
	LOW	525	1.01	1.03	0.99
	HIGH	675	1.05	1.10	1.01
4CXCB031AC3+TDD080R9V3	NOMINAL	600	1.04	1.08	1.01
	LOW	525	1.02	1.05	1.00
	HIGH	675	1.06	1.11	1.02
4CXCB031AC3+TDY060R9V3	NOMINAL	600	1.04	1.07	0.99
	LOW	525	1.01	1.03	0.98
	HIGH	675	1.06	1.10	1.00
4CXCB031AC3+TUD060R9V3	NOMINAL	600	1.04	1.07	1.01
	LOW	525	1.01	1.04	1.00
	HIGH	675	1.06	1.11	1.02
4CXCB031AC3+TUD100R9V3	NOMINAL	600	1.04	1.07	1.00
	LOW	525	1.01	1.04	0.99
	HIGH	675	1.06	1.11	1.01
4CXCB031AC3+TUY060R9V3	NOMINAL	600	1.03	1.07	0.99
	LOW	525	1.01	1.03	0.98
	HIGH	675	1.05	1.10	1.00
4TEC3F18A1	NOMINAL	600	1.03	1.04	0.99
	LOW	525	1.00	1.01	0.98
	HIGH	675	1.05	1.07	1.00
4TEC3F24A1	NOMINAL	600	1.01	1.03	0.97
	LOW	525	0.98	1.00	0.96
	HIGH	675	1.03	1.06	0.98
4TEE3F31A1	NOMINAL	600	1.04	1.06	1.01
	LOW	525	1.01	1.03	1.00
	HIGH	675	1.06	1.09	1.02
4TEP3F18A1	NOMINAL	600	1.02	1.04	1.00
	LOW	525	0.99	1.01	0.99
	HIGH	675	1.04	1.07	1.01
4TFE3F25B1	NOMINAL	600	1.05	1.08	1.01
	LOW	525	1.02	1.05	1.00
	HIGH	675	1.07	1.11	1.02
4TXCA018AC3+TDD060R9V3	NOMINAL	600	0.99	1.03	0.97
	LOW	525	0.98	1.00	0.96
	HIGH	675	1.01	1.06	0.98
4TXCA018AC3+TDD080R9V3	NOMINAL	600	0.99	1.03	0.97
	LOW	525	0.98	1.00	0.96
	HIGH	675	1.01	1.06	0.98
4TXCA018AC3+TDY060R9V3	NOMINAL	600	0.99	1.01	0.94
	LOW	525	0.97	0.98	0.93
	HIGH	675	1.01	1.04	0.95
4TXCA018AC3+TUD060R9V3	NOMINAL	600	0.99	1.02	0.97
	LOW	525	0.97	0.99	0.96
	HIGH	675	1.01	1.05	0.98
4TXCA018AC3+TUD100R9V3	NOMINAL	600	0.99	1.02	0.96
	LOW	525	0.97	0.99	0.95
	HIGH	675	1.01	1.05	0.97
4TXCA018AC3+TUY060R9V3	NOMINAL	600	0.99	1.02	0.96
	LOW	525	0.98	0.99	0.95
	HIGH	675	1.01	1.05	0.97
4TXCA024AC3	NOMINAL	600	0.97	1.00	0.95
	LOW	525	0.95	0.97	0.95
	HIGH	675	0.99	1.03	0.96
4TXCA024AC3+TDD060R9V3	NOMINAL	600	0.99	1.04	0.97
	LOW	525	0.98	1.01	0.96
	HIGH	675	1.01	1.07	0.98
4TXCA024AC3+TDD080R9V3	NOMINAL	600	0.99	1.04	0.97
	LOW	525	0.98	1.01	0.96
	HIGH	675	1.01	1.07	0.98
4TXCA024AC3+TDY060R9V3	NOMINAL	600	1.00	1.03	0.95
	LOW	525	0.98	1.00	0.95
	HIGH	675	1.02	1.06	0.96



# Performance Data Cooling

## 4TTB3018A1

**CORRECTION FACTORS FOR OTHER COMBINATIONS (MULTIPLY DATA BY FACTOR)**

INDOOR MODEL		CFM	MBTUH TOT	MBTUH SEN	SYST KW
4TXCA024AC3+TUD060R9V3	NOMINAL	600	0.99	1.03	0.97
	LOW	525	0.98	1.00	0.96
	HIGH	675	1.01	1.06	0.98
4TXCA024AC3+TUD100R9V3	NOMINAL	600	0.99	1.03	0.96
	LOW	525	0.97	1.00	0.95
	HIGH	675	1.01	1.06	0.97
4TXCA024AC3+TUY060R9V3	NOMINAL	600	0.99	1.03	0.96
	LOW	525	0.98	1.00	0.95
	HIGH	675	1.01	1.06	0.97
4TXCB025AC3	NOMINAL	600	1.01	1.03	0.99
	LOW	525	0.98	1.00	0.98
	HIGH	675	1.03	1.06	1.00
4TXCB025AC3+TDD060R9V3	NOMINAL	600	1.03	1.07	1.00
	LOW	525	1.01	1.03	0.99
	HIGH	675	1.05	1.10	1.01
4TXCB025AC3+TDD080R9V3	NOMINAL	600	1.03	1.07	1.01
	LOW	525	1.01	1.03	1.00
	HIGH	675	1.05	1.10	1.02
4TXCB025AC3+TDY060R9V3	NOMINAL	600	1.03	1.05	0.97
	LOW	525	1.00	1.02	0.96
	HIGH	675	1.05	1.08	0.98
4TXCB025AC3+TUD060R9V3	NOMINAL	600	1.03	1.06	0.99
	LOW	525	1.00	1.03	0.98
	HIGH	675	1.05	1.09	1.00
4TXCB025AC3+TUD100R9V3	NOMINAL	600	1.04	1.07	1.00
	LOW	525	1.01	1.04	0.99
	HIGH	675	1.06	1.11	1.01
4TXCB025AC3+TUY060R9V3	NOMINAL	600	1.03	1.07	0.99
	LOW	525	1.01	1.03	0.98
	HIGH	675	1.05	1.10	1.00
4TXCB025AS3+TDD060R9V3	NOMINAL	600	0.96	1.00	0.94
	LOW	525	0.95	0.97	0.93
	HIGH	675	0.98	1.03	0.94
4TXCB025AS3+TDY060R9V3	NOMINAL	600	0.96	0.99	0.92
	LOW	525	0.95	0.96	0.91
	HIGH	675	0.98	1.02	0.93
4TXCB025AS3+TUD060R9V3	NOMINAL	600	0.97	1.01	0.95
	LOW	525	0.95	0.98	0.94
	HIGH	675	0.99	1.04	0.96
4TXCB025AS3+TUD100R9V3	NOMINAL	600	0.96	1.00	0.94
	LOW	525	0.95	0.97	0.93
	HIGH	675	0.98	1.03	0.94
4TXCB025AS3+TUY060R9V3	NOMINAL	600	0.96	0.99	0.93
	LOW	525	0.95	0.96	0.92
	HIGH	675	0.98	1.02	0.94
4TXCB031AC3	NOMINAL	600	1.01	1.03	0.99
	LOW	525	0.98	1.00	0.98
	HIGH	675	1.03	1.06	1.00
4TXCB031AC3+TDD060R9V3	NOMINAL	600	1.03	1.07	1.00
	LOW	525	1.01	1.03	0.99
	HIGH	675	1.05	1.10	1.01
4TXCB031AC3+TDD080R9V3	NOMINAL	600	1.04	1.08	1.01
	LOW	525	1.02	1.05	1.00
	HIGH	675	1.06	1.11	1.02
4TXCB031AC3+TDY060R9V3	NOMINAL	600	1.04	1.07	0.99
	LOW	525	1.01	1.03	0.98
	HIGH	675	1.06	1.10	1.00
4TXCB031AC3+TUD060R9V3	NOMINAL	600	1.04	1.07	1.01
	LOW	525	1.01	1.04	1.00
	HIGH	675	1.06	1.11	1.02
4TXCB031AC3+TUD100R9V3	NOMINAL	600	1.04	1.07	1.00
	LOW	525	1.01	1.04	0.99
	HIGH	675	1.06	1.11	1.01

**CORRECTION FACTORS FOR OTHER COMBINATIONS (MULTIPLY DATA BY FACTOR)**

INDOOR MODEL		CFM	MBTUH TOT	MBTUH SEN	SYST KW
4TXCB031AC3+TUY060R9V3	NOMINAL	600	1.03	1.07	0.99
	LOW	525	1.01	1.03	0.98
	HIGH	675	1.05	1.10	1.00
4TXCB031AS3	NOMINAL	600	1.02	1.05	0.99
	LOW	525	0.99	1.02	0.98
	HIGH	675	1.04	1.08	1.00
4TXCB031AS3+TDD060R9V3	NOMINAL	600	1.04	1.09	1.01
	LOW	525	1.02	1.06	1.00
	HIGH	675	1.06	1.12	1.02
4TXCB031AS3+TDY060R9V3	NOMINAL	600	1.04	1.08	0.99
	LOW	525	1.01	1.05	0.98
	HIGH	675	1.06	1.11	1.00
4TXCB031AS3+TUD060R9V3	NOMINAL	600	1.04	1.08	1.01
	LOW	525	1.01	1.05	1.00
	HIGH	675	1.06	1.11	1.02
4TXCB031AS3+TUY060R9V3	NOMINAL	600	1.04	1.09	1.01
	LOW	525	1.02	1.06	1.00
	HIGH	675	1.06	1.12	1.02
4TXFH018AS3+TDD060R9V3	NOMINAL	600	0.97	1.01	0.95
	LOW	525	0.96	0.98	0.94
	HIGH	675	0.99	1.04	0.96
4TXFH018AS3+TDD080R9V3	NOMINAL	600	0.98	1.02	0.96
	LOW	525	0.97	0.99	0.95
	HIGH	675	1.00	1.05	0.97
4TXFH018AS3+TDY060R9V3	NOMINAL	600	0.98	1.00	0.94
	LOW	525	0.96	0.97	0.93
	HIGH	675	1.00	1.03	0.94
4TXFH018AS3+TUD060R9V3	NOMINAL	600	0.98	1.01	0.95
	LOW	525	0.96	0.98	0.95
	HIGH	675	1.00	1.05	0.96
4TXFH018AS3+TUD100R9V3	NOMINAL	600	0.98	1.01	0.95
	LOW	525	0.96	0.98	0.94
	HIGH	675	1.00	1.04	0.96
4TXFH018AS3+TUY060R9V3	NOMINAL	600	0.97	1.01	0.94
	LOW	525	0.96	0.98	0.93
	HIGH	675	0.99	1.04	0.95
4TXFH033AS3+TUD060R9V3	NOMINAL	600	1.04	1.07	1.01
	LOW	525	1.01	1.03	1.00
	HIGH	675	1.06	1.10	1.02
RXC025S3+TDD060R9V3	NOMINAL	600	0.97	1.01	0.95
	LOW	525	0.96	0.98	0.94
	HIGH	675	0.99	1.04	0.96
RXC025S3+TDY060R9V3	NOMINAL	600	0.96	0.99	0.92
	LOW	525	0.95	0.96	0.91
	HIGH	675	0.98	1.01	0.93
RXC025S3+TUD060R9V3	NOMINAL	600	0.97	1.00	0.94
	LOW	525	0.95	0.97	0.93
	HIGH	675	0.99	1.03	0.95
RXC025S3+TUD100R9V3	NOMINAL	600	0.98	1.01	0.95
	LOW	525	0.96	0.98	0.94
	HIGH	675	1.00	1.04	0.96
RXC025S3+TUY060R9V3	NOMINAL	600	0.97	1.00	0.94
	LOW	525	0.96	0.97	0.93
	HIGH	675	0.99	1.03	0.95
RXC031S3	NOMINAL	600	1.02	1.04	0.99
	LOW	525	0.99	1.01	0.98
	HIGH	675	1.04	1.08	1.00
RXC031S3+TDD060R9V3	NOMINAL	600	1.04	1.08	1.01
	LOW	525	1.02	1.05	1.00
	HIGH	675	1.06	1.11	1.02
RXC031S3+TDY060R9V3	NOMINAL	600	1.04	1.07	0.99
	LOW	525	1.01	1.03	0.98
	HIGH	675	1.06	1.10	1.00



# Performance Data Cooling

## 4TTB3018A1

### CORRECTION FACTORS FOR OTHER COMBINATIONS (MULTIPLY DATA BY FACTOR)

INDOOR MODEL		CFM	MBTUH TOT	MBTUH SEN	SYST KW
RXC031S3+TUD060R9V3	NOMINAL	600	1.04	1.07	1.01
	LOW	525	1.01	1.04	1.00
	HIGH	675	1.06	1.11	1.02

### CORRECTION FACTORS FOR OTHER COMBINATIONS (MULTIPLY DATA BY FACTOR)

INDOOR MODEL		CFM	MBTUH TOT	MBTUH SEN	SYST KW
RXC031S3+TUY060R9V3	NOMINAL	600	1.04	1.07	1.00
	LOW	525	1.02	1.04	0.99
	HIGH	675	1.06	1.11	1.01

# Performance Data Cooling

## 4TTB3024A1

### 4TTB3024A1 WITH 4TXCB025AC3 AT 800 CFM

O.D. D.B.	I.D. W.B.	TOT. CAP.	SENS. CAP. AT ENTERING D.B. TEMP.			TOTAL KW	
			72	75	78	80	
85	59	23.4	18.7	21.0	22.7	22.5	2.02
	63	24.4	15.2	17.5	19.8	21.3	2.03
	67	26.2	12.1	14.3	16.6	18.1	2.07
	71	28.3	8.9	11.1	13.4	14.9	2.09
95	59	21.8	18.0	20.3	21.8	21.8	2.18
	63	22.7	14.5	16.8	19.1	20.6	2.20
	67	24.5	11.4	13.7	15.9	17.4	2.23
	71	26.4	8.2	10.5	12.8	14.3	2.25
105	59	21.0	17.6	19.9	21.0	21.0	2.26
	63	21.9	14.2	16.5	18.8	20.3	2.28
	67	23.6	11.0	13.3	15.6	17.1	2.31
	71	25.5	7.9	10.1	12.4	13.9	2.34
115	59	18.6	16.6	18.6	18.6	18.6	2.51
	63	19.4	13.2	15.5	17.7	19.3	2.52
	67	20.9	10.0	12.3	14.6	16.1	2.56
	71	22.6	6.9	9.2	11.5	13.0	2.59

### CORRECTION FACTORS FOR OTHER AIRFLOWS (MULTIPLY DATA BY FACTOR)

	AIRFLOW	TOTAL CAPACITY	SENSIBLE CAPACITY
LOW	700	0.98	0.98
HIGH	900	1.02	1.02

NOTE: ALL TABLES ABOVE ARE AT ARI RATING CONDITIONS RATED WITH 25 FEET OF REFRIGERANT LINES.  
 \* DRY COIL CONDITION (TOTAL CAPACITY = SENSIBLE CAPACITY)  
 TOTAL CAPACITY, COMP. KW AND APP. DEW PT. ARE VALID ONLY FOR WET COIL. ALL TEMPERATURES IN DEGREES F.

### CORRECTION FACTORS FOR OTHER COMBINATIONS (MULTIPLY DATA BY FACTOR)

INDOOR MODEL		CFM	MBTUH TOT	MBTUH SEN	SYST KW
2TEH3F24A1+4AYTXVH-3	NOMINAL	800	1.02	1.02	0.98
	LOW	700	1.00	0.99	0.97
	HIGH	900	1.04	1.05	0.99
2TFB3F24B1+4AYTXVH-3	NOMINAL	800	1.00	0.99	0.98
	LOW	700	0.98	0.96	0.97
	HIGH	900	1.02	1.02	0.99
2TFB3F30B1+4AYTXVH-3	NOMINAL	800	1.00	0.99	0.98
	LOW	700	0.98	0.96	0.97
	HIGH	900	1.02	1.02	0.99
2TGB3F25A1+4AYTXVH-3	NOMINAL	800	0.99	0.95	0.98
	LOW	700	0.97	0.92	0.97
	HIGH	900	1.01	0.98	0.99

### CORRECTION FACTORS FOR OTHER COMBINATIONS (MULTIPLY DATA BY FACTOR)

INDOOR MODEL		CFM	MBTUH TOT	MBTUH SEN	SYST KW
2TGB3F30A1+4AYTXVH-3	NOMINAL	800	1.00	1.01	0.99
	LOW	700	0.98	0.98	0.98
	HIGH	900	1.02	1.04	1.00
4CXAA024AC3	NOMINAL	800	0.95	0.97	0.94
	LOW	700	0.94	0.94	0.93
	HIGH	900	0.97	1.00	0.95
4CXAA024AC3+TDD060R9V3	NOMINAL	800	0.98	0.99	0.95
	LOW	700	0.96	0.96	0.94
	HIGH	900	1.00	1.02	0.96
4CXAA024AC3+TDD080R9V3	NOMINAL	800	0.98	0.99	0.94
	LOW	700	0.96	0.96	0.93
	HIGH	900	1.00	1.02	0.95
4CXAA024AC3+TDX1B060A9H3	NOMINAL	800	0.98	1.00	0.95
	LOW	700	0.96	0.97	0.94
	HIGH	900	1.00	1.03	0.96
4CXAA024AC3+TDX1B080A9H3	NOMINAL	800	0.98	1.01	0.96
	LOW	700	0.96	0.98	0.95
	HIGH	900	1.00	1.04	0.97
4CXAA024AC3+TDY060R9V3	NOMINAL	800	0.98	0.99	0.94
	LOW	700	0.96	0.96	0.93
	HIGH	900	1.00	1.02	0.95
4CXAA024AC3+TDY080R9V3	NOMINAL	800	0.98	0.99	0.94
	LOW	700	0.96	0.96	0.93
	HIGH	900	1.00	1.02	0.95
4CXAA024AC3+TUX1B060A9H3	NOMINAL	800	0.98	0.99	0.95
	LOW	700	0.96	0.96	0.94
	HIGH	900	1.00	1.02	0.96
4CXAA024AC3+TUY060R9V3	NOMINAL	800	0.98	0.99	0.94
	LOW	700	0.96	0.96	0.93
	HIGH	900	1.00	1.02	0.95
4CXAA024AC3+TUY080R9V3	NOMINAL	800	0.98	0.98	0.93
	LOW	700	0.96	0.95	0.92
	HIGH	900	1.00	1.01	0.94
4CXAB025AC3	NOMINAL	800	0.99	0.99	0.97
	LOW	700	0.97	0.96	0.96
	HIGH	900	1.01	1.02	0.98
4CXAB025AC3+TDD060R9V3	NOMINAL	800	1.00	1.02	0.97
	LOW	700	0.98	0.99	0.96
	HIGH	900	1.02	1.05	0.98
4CXAB025AC3+TDD080R9V3	NOMINAL	800	1.01	1.03	0.98
	LOW	700	0.99	1.00	0.97
	HIGH	900	1.03	1.06	0.99



# Performance Data Cooling

## 4TTB3024A1

**CORRECTION FACTORS FOR OTHER COMBINATIONS (MULTIPLY DATA BY FACTOR)**

INDOOR MODEL		CFM	MBTUH TOT	MBTUH SEN	SYST KW
4CXAB025AC3+TDX1B060A9H3	NOMINAL	800	1.00	1.02	0.97
	LOW	700	0.98	0.99	0.96
	HIGH	900	1.02	1.05	0.98
4CXAB025AC3+TDX1B080A9H3	NOMINAL	800	1.00	1.02	0.98
	LOW	700	0.98	0.99	0.97
	HIGH	900	1.02	1.05	0.99
4CXAB025AC3+TDY060R9V3	NOMINAL	800	1.01	1.02	0.96
	LOW	700	0.99	0.99	0.95
	HIGH	900	1.03	1.05	0.97
4CXAB025AC3+TDY080R9V3	NOMINAL	800	1.01	1.02	0.96
	LOW	700	0.99	0.99	0.95
	HIGH	900	1.03	1.05	0.97
4CXAB025AC3+TUX1B060A9H3	NOMINAL	800	1.01	1.03	0.98
	LOW	700	0.99	1.00	0.97
	HIGH	900	1.03	1.06	0.99
4CXAB025AC3+TUY060R9V3	NOMINAL	800	1.00	1.02	0.96
	LOW	700	0.98	0.99	0.95
	HIGH	900	1.02	1.05	0.97
4CXAB025AC3+TUY080R9V3	NOMINAL	800	1.00	1.01	0.96
	LOW	700	0.98	0.98	0.95
	HIGH	900	1.02	1.04	0.97
4CXAB031AC3	NOMINAL	800	0.99	0.99	0.97
	LOW	700	0.97	0.96	0.96
	HIGH	900	1.01	1.02	0.98
4CXAB031AC3+TDD060R9V3	NOMINAL	800	1.01	1.03	0.98
	LOW	700	0.99	1.00	0.97
	HIGH	900	1.03	1.06	0.99
4CXAB031AC3+TDD080R9V3	NOMINAL	800	1.01	1.02	0.98
	LOW	700	0.99	0.99	0.97
	HIGH	900	1.03	1.05	0.99
4CXAB031AC3+TDX1B060A9H3	NOMINAL	800	1.00	1.02	0.98
	LOW	700	0.98	0.99	0.97
	HIGH	900	1.02	1.05	0.99
4CXAB031AC3+TDX1B080A9H3	NOMINAL	800	1.01	1.03	0.99
	LOW	700	0.99	1.00	0.98
	HIGH	900	1.03	1.06	1.00
4CXAB031AC3+TDY060R9V3	NOMINAL	800	1.00	1.02	0.96
	LOW	700	0.98	0.99	0.95
	HIGH	900	1.02	1.05	0.97
4CXAB031AC3+TDY080R9V3	NOMINAL	800	1.00	1.02	0.96
	LOW	700	0.98	0.99	0.95
	HIGH	900	1.02	1.05	0.97
4CXAB031AC3+TUX1B060A9H3	NOMINAL	800	1.01	1.03	0.98
	LOW	700	0.99	1.00	0.97
	HIGH	900	1.03	1.06	0.99
4CXAB031AC3+TUY060R9V3	NOMINAL	800	1.00	1.01	0.96
	LOW	700	0.98	0.98	0.95
	HIGH	900	1.02	1.04	0.97
4CXAB031AC3+TUY080R9V3	NOMINAL	800	1.01	1.02	0.96
	LOW	700	0.99	0.99	0.95
	HIGH	900	1.03	1.05	0.97
4CXAB036AC3	NOMINAL	800	0.99	1.03	0.98
	LOW	700	0.97	1.00	0.97
	HIGH	900	1.01	1.06	0.99
4CXAB036AC3+TDD060R9V3	NOMINAL	800	1.01	1.05	0.98
	LOW	700	0.99	1.02	0.97
	HIGH	900	1.03	1.08	0.99
4CXAB036AC3+TDD080R9V3	NOMINAL	800	1.02	1.06	0.98
	LOW	700	0.99	1.02	0.97
	HIGH	900	1.04	1.09	0.99
4CXAB036AC3+TDX1B060A9H3	NOMINAL	800	1.02	1.06	1.00
	LOW	700	0.99	1.02	0.99
	HIGH	900	1.04	1.09	1.01

**CORRECTION FACTORS FOR OTHER COMBINATIONS (MULTIPLY DATA BY FACTOR)**

INDOOR MODEL		CFM	MBTUH TOT	MBTUH SEN	SYST KW
4CXAB036AC3+TDY060R9V3	NOMINAL	800	1.01	1.05	0.97
	LOW	700	0.99	1.02	0.96
	HIGH	900	1.03	1.08	0.98
4CXAB036AC3+TDY080R9V3	NOMINAL	800	1.01	1.05	0.97
	LOW	700	0.99	1.02	0.96
	HIGH	900	1.03	1.08	0.98
4CXAB036AC3+TUY060R9V3	NOMINAL	800	1.01	1.05	0.97
	LOW	700	0.99	1.02	0.96
	HIGH	900	1.03	1.08	0.98
4CXAB036AC3+TUY080R9V3	NOMINAL	800	1.01	1.05	0.97
	LOW	700	0.99	1.02	0.96
	HIGH	900	1.03	1.08	0.98
4CXAC037AC3	NOMINAL	800	0.99	1.03	0.98
	LOW	700	0.97	1.00	0.97
	HIGH	900	1.01	1.06	0.99
4CXAC037AC3+TDD060R9V3	NOMINAL	800	1.02	1.06	0.99
	LOW	700	0.99	1.03	0.98
	HIGH	900	1.04	1.09	1.00
4CXAC037AC3+TDD080R9V3	NOMINAL	800	1.01	1.06	0.98
	LOW	700	0.99	1.02	0.97
	HIGH	900	1.03	1.09	0.99
4CXAC037AC3+TDY060R9V3	NOMINAL	800	1.02	1.05	0.97
	LOW	700	0.99	1.02	0.96
	HIGH	900	1.04	1.08	0.98
4CXAC037AC3+TDY080R9V3	NOMINAL	800	1.01	1.05	0.97
	LOW	700	0.99	1.02	0.96
	HIGH	900	1.03	1.08	0.98
4CXAC037AC3+TUY060R9V3	NOMINAL	800	1.01	1.05	0.97
	LOW	700	0.99	1.02	0.96
	HIGH	900	1.03	1.08	0.98
4CXAC037AC3+TUY080R9V3	NOMINAL	800	1.01	1.05	0.97
	LOW	700	0.99	1.02	0.96
	HIGH	900	1.03	1.08	0.98
4CXCA024AC3	NOMINAL	800	0.95	0.96	0.93
	LOW	700	0.93	0.93	0.92
	HIGH	900	0.97	0.99	0.94
4CXCA024AC3+TDD060R9V3	NOMINAL	800	0.97	0.99	0.94
	LOW	700	0.95	0.96	0.93
	HIGH	900	0.99	1.02	0.95
4CXCA024AC3+TDD080R9V3	NOMINAL	800	0.97	0.99	0.93
	LOW	700	0.95	0.96	0.92
	HIGH	900	0.99	1.02	0.94
4CXCA024AC3+TDX1B060A9H3	NOMINAL	800	0.97	0.99	0.94
	LOW	700	0.95	0.96	0.93
	HIGH	900	0.99	1.02	0.95
4CXCA024AC3+TDX1B080A9H3	NOMINAL	800	0.97	1.00	0.95
	LOW	700	0.95	0.97	0.94
	HIGH	900	0.99	1.03	0.96
4CXCA024AC3+TDY060R9V3	NOMINAL	800	0.97	0.98	0.93
	LOW	700	0.95	0.95	0.92
	HIGH	900	0.99	1.01	0.94
4CXCA024AC3+TDY080R9V3	NOMINAL	800	0.97	0.98	0.93
	LOW	700	0.95	0.95	0.92
	HIGH	900	0.99	1.01	0.94
4CXCA024AC3+TUX1B060A9H3	NOMINAL	800	0.97	0.99	0.94
	LOW	700	0.95	0.96	0.93
	HIGH	900	0.99	1.02	0.95
4CXCA024AC3+TUY060R9V3	NOMINAL	800	0.97	0.98	0.93
	LOW	700	0.95	0.95	0.92
	HIGH	900	0.99	1.01	0.94
4CXCA024AC3+TUY080R9V3	NOMINAL	800	0.97	0.98	0.92
	LOW	700	0.95	0.95	0.91
	HIGH	900	0.98	1.01	0.93



# Performance Data Cooling

## 4TTB3024A1

**CORRECTION FACTORS FOR OTHER COMBINATIONS (MULTIPLY DATA BY FACTOR)**

INDOOR MODEL		CFM	MBTUH TOT	MBTUH SEN	SYST KW
4CXCBO25AC3	NOMINAL	800	0.99	0.99	0.97
	LOW	700	0.97	0.96	0.96
	HIGH	900	1.01	1.02	0.98
4CXCBO25AC3+TDD060R9V3	NOMINAL	800	1.00	1.02	0.97
	LOW	700	0.98	0.99	0.96
	HIGH	900	1.02	1.05	0.98
4CXCBO25AC3+TDD080R9V3	NOMINAL	800	1.01	1.03	0.98
	LOW	700	0.99	1.00	0.97
	HIGH	900	1.03	1.06	0.99
4CXCBO25AC3+TDX1B060A9H3	NOMINAL	800	1.00	1.02	0.97
	LOW	700	0.98	0.99	0.96
	HIGH	900	1.02	1.05	0.98
4CXCBO25AC3+TDX1B080A9H3	NOMINAL	800	1.00	1.02	0.98
	LOW	700	0.98	0.99	0.97
	HIGH	900	1.02	1.05	0.99
4CXCBO25AC3+TDY060R9V3	NOMINAL	800	1.01	1.02	0.96
	LOW	700	0.99	0.99	0.95
	HIGH	900	1.03	1.05	0.97
4CXCBO25AC3+TDY080R9V3	NOMINAL	800	1.01	1.02	0.96
	LOW	700	0.99	0.99	0.95
	HIGH	900	1.03	1.05	0.97
4CXCBO25AC3+TUX1B060A9H3	NOMINAL	800	1.01	1.03	0.98
	LOW	700	0.99	1.00	0.97
	HIGH	900	1.03	1.06	0.99
4CXCBO25AC3+TUY060R9V3	NOMINAL	800	1.00	1.02	0.96
	LOW	700	0.98	0.99	0.95
	HIGH	900	1.02	1.05	0.97
4CXCBO25AC3+TUY080R9V3	NOMINAL	800	1.00	1.01	0.96
	LOW	700	0.98	0.98	0.95
	HIGH	900	1.02	1.04	0.97
4CXCBO31AC3	NOMINAL	800	0.99	0.99	0.97
	LOW	700	0.97	0.96	0.96
	HIGH	900	1.01	1.02	0.98
4CXCBO31AC3+TDD060R9V3	NOMINAL	800	1.00	1.02	0.97
	LOW	700	0.98	0.99	0.96
	HIGH	900	1.02	1.05	0.98
4CXCBO31AC3+TDD080R9V3	NOMINAL	800	1.01	1.02	0.98
	LOW	700	0.99	0.99	0.97
	HIGH	900	1.03	1.05	0.99
4CXCBO31AC3+TDX1B060A9H3	NOMINAL	800	1.00	1.02	0.98
	LOW	700	0.98	0.99	0.97
	HIGH	900	1.02	1.05	0.99
4CXCBO31AC3+TDX1B080A9H3	NOMINAL	800	1.01	1.03	0.99
	LOW	700	0.99	1.00	0.98
	HIGH	900	1.03	1.06	1.00
4CXCBO31AC3+TDY060R9V3	NOMINAL	800	1.00	1.02	0.96
	LOW	700	0.98	0.99	0.95
	HIGH	900	1.02	1.05	0.97
4CXCBO31AC3+TDY080R9V3	NOMINAL	800	1.00	1.02	0.96
	LOW	700	0.98	0.99	0.95
	HIGH	900	1.02	1.05	0.97
4CXCBO31AC3+TUX1B060A9H3	NOMINAL	800	1.01	1.03	0.98
	LOW	700	0.99	1.00	0.97
	HIGH	900	1.03	1.06	0.99
4CXCBO31AC3+TUY060R9V3	NOMINAL	800	1.00	1.01	0.96
	LOW	700	0.98	0.98	0.95
	HIGH	900	1.02	1.04	0.97
4CXCBO31AC3+TUY080R9V3	NOMINAL	800	1.01	1.02	0.96
	LOW	700	0.99	0.99	0.95
	HIGH	900	1.03	1.05	0.97
4CXCBO36AC3	NOMINAL	800	0.99	1.03	0.98
	LOW	700	0.97	1.00	0.97
	HIGH	900	1.01	1.06	0.99

**CORRECTION FACTORS FOR OTHER COMBINATIONS (MULTIPLY DATA BY FACTOR)**

INDOOR MODEL		CFM	MBTUH TOT	MBTUH SEN	SYST KW
4CXCBO36AC3+TDD060R9V3	NOMINAL	800	1.01	1.05	0.98
	LOW	700	0.99	1.02	0.97
	HIGH	900	1.03	1.08	0.99
4CXCBO36AC3+TDD080R9V3	NOMINAL	800	1.02	1.06	0.98
	LOW	700	0.99	1.02	0.97
	HIGH	900	1.04	1.09	0.99
4CXCBO36AC3+TDX1B060A9H3	NOMINAL	800	1.02	1.06	1.00
	LOW	700	0.99	1.02	0.99
	HIGH	900	1.04	1.09	1.01
4CXCBO36AC3+TDY060R9V3	NOMINAL	800	1.01	1.05	0.97
	LOW	700	0.99	1.02	0.96
	HIGH	900	1.03	1.08	0.98
4CXCBO36AC3+TDY080R9V3	NOMINAL	800	1.01	1.05	0.97
	LOW	700	0.99	1.02	0.96
	HIGH	900	1.03	1.08	0.98
4CXCBO36AC3+TUY060R9V3	NOMINAL	800	1.01	1.05	0.97
	LOW	700	0.99	1.02	0.96
	HIGH	900	1.03	1.08	0.98
4CXCBO36AC3+TUY080R9V3	NOMINAL	800	1.01	1.05	0.97
	LOW	700	0.99	1.02	0.96
	HIGH	900	1.03	1.08	0.98
4CXCC037AC3	NOMINAL	800	0.99	1.03	0.98
	LOW	700	0.97	1.00	0.97
	HIGH	900	1.01	1.06	0.99
4CXCC037AC3+TDD060R9V3	NOMINAL	800	1.02	1.06	0.99
	LOW	700	0.99	1.03	0.98
	HIGH	900	1.04	1.09	1.00
4CXCC037AC3+TDD080R9V3	NOMINAL	800	1.01	1.06	0.98
	LOW	700	0.99	1.02	0.97
	HIGH	900	1.03	1.09	0.99
4CXCC037AC3+TDY060R9V3	NOMINAL	800	1.02	1.05	0.97
	LOW	700	0.99	1.02	0.96
	HIGH	900	1.04	1.08	0.98
4CXCC037AC3+TDY080R9V3	NOMINAL	800	1.01	1.05	0.97
	LOW	700	0.99	1.02	0.96
	HIGH	900	1.03	1.08	0.98
4CXCC037AC3+TUY060R9V3	NOMINAL	800	1.01	1.05	0.97
	LOW	700	0.99	1.02	0.96
	HIGH	900	1.03	1.08	0.98
4CXCC037AC3+TUY080R9V3	NOMINAL	800	1.01	1.05	0.97
	LOW	700	0.99	1.02	0.96
	HIGH	900	1.03	1.08	0.98
4TEC3F24A1	NOMINAL	800	0.99	0.99	0.96
	LOW	700	0.97	0.96	0.95
	HIGH	900	1.01	1.02	0.97
4TEC3F30A1	NOMINAL	800	0.99	1.00	0.96
	LOW	700	0.97	0.97	0.95
	HIGH	900	1.01	1.03	0.97
4TEE3F31A1	NOMINAL	800	1.01	1.02	0.99
	LOW	700	0.99	0.99	0.98
	HIGH	900	1.03	1.05	1.00
4TEE3F37A1	NOMINAL	800	1.01	1.04	0.98
	LOW	700	0.99	1.01	0.97
	HIGH	900	1.03	1.07	0.99
4TEE3F40A1	NOMINAL	800	1.06	1.09	1.03
	LOW	700	1.04	1.06	1.02
	HIGH	900	1.08	1.13	1.04
4TEP3F24A1	NOMINAL	800	1.00	0.99	0.98
	LOW	700	0.98	0.96	0.97
	HIGH	900	1.02	1.02	0.99
4TEP3F30A1	NOMINAL	800	0.97	0.98	0.96
	LOW	700	0.95	0.95	0.95
	HIGH	900	0.99	1.01	0.97



# Performance Data Cooling

## 4TTB3024A1

**CORRECTION FACTORS FOR OTHER COMBINATIONS (MULTIPLY DATA BY FACTOR)**

INDOOR MODEL		CFM	MBTUH TOT	MBTUH SEN	SYST KW
4TFE3F25B1	NOMINAL	800	1.02	1.02	0.98
	LOW	700	0.99	0.99	0.97
	HIGH	900	1.04	1.05	0.99
4TXCA024AC3	NOMINAL	800	0.95	0.96	0.93
	LOW	700	0.93	0.93	0.92
	HIGH	900	0.97	0.99	0.94
4TXCA024AC3+TDD060R9V3	NOMINAL	800	0.97	0.99	0.94
	LOW	700	0.95	0.96	0.93
	HIGH	900	0.99	1.02	0.95
4TXCA024AC3+TDD080R9V3	NOMINAL	800	0.97	0.99	0.93
	LOW	700	0.95	0.96	0.92
	HIGH	900	0.99	1.02	0.94
4TXCA024AC3+TDX1B060A9H3	NOMINAL	800	0.97	0.99	0.94
	LOW	700	0.95	0.96	0.93
	HIGH	900	0.99	1.02	0.95
4TXCA024AC3+TDX1B080A9H3	NOMINAL	800	0.97	1.00	0.95
	LOW	700	0.95	0.97	0.94
	HIGH	900	0.99	1.03	0.96
4TXCA024AC3+TDY060R9V3	NOMINAL	800	0.97	0.98	0.93
	LOW	700	0.95	0.95	0.92
	HIGH	900	0.99	1.01	0.94
4TXCA024AC3+TDY080R9V3	NOMINAL	800	0.97	0.98	0.93
	LOW	700	0.95	0.95	0.92
	HIGH	900	0.99	1.01	0.94
4TXCA024AC3+TUX1B060A9H3	NOMINAL	800	0.97	0.99	0.94
	LOW	700	0.95	0.96	0.93
	HIGH	900	0.99	1.02	0.95
4TXCA024AC3+TUY060R9V3	NOMINAL	800	0.97	0.98	0.93
	LOW	700	0.95	0.95	0.92
	HIGH	900	0.99	1.01	0.94
4TXCA024AC3+TUY080R9V3	NOMINAL	800	0.97	0.98	0.92
	LOW	700	0.95	0.95	0.91
	HIGH	900	0.98	1.01	0.93
4TXCB025AC3+TDD060R9V3	NOMINAL	800	1.00	1.02	0.97
	LOW	700	0.98	0.99	0.96
	HIGH	900	1.02	1.05	0.98
4TXCB025AC3+TDD080R9V3	NOMINAL	800	1.01	1.03	0.98
	LOW	700	0.99	1.00	0.97
	HIGH	900	1.03	1.06	0.99
4TXCB025AC3+TDX1B060A9H3	NOMINAL	800	1.00	1.02	0.97
	LOW	700	0.98	0.99	0.96
	HIGH	900	1.02	1.05	0.98
4TXCB025AC3+TDX1B080A9H3	NOMINAL	800	1.00	1.02	0.98
	LOW	700	0.98	0.99	0.97
	HIGH	900	1.02	1.05	0.99
4TXCB025AC3+TDY060R9V3	NOMINAL	800	1.01	1.02	0.96
	LOW	700	0.99	0.99	0.95
	HIGH	900	1.03	1.05	0.97
4TXCB025AC3+TDY080R9V3	NOMINAL	800	1.01	1.02	0.96
	LOW	700	0.99	0.99	0.95
	HIGH	900	1.03	1.05	0.97
4TXCB025AC3+TUX1B060A9H3	NOMINAL	800	1.01	1.03	0.98
	LOW	700	0.99	1.00	0.97
	HIGH	900	1.03	1.06	0.99
4TXCB025AC3+TUY060R9V3	NOMINAL	800	1.00	1.02	0.96
	LOW	700	0.98	0.99	0.95
	HIGH	900	1.02	1.05	0.97
4TXCB025AC3+TUY080R9V3	NOMINAL	800	1.00	1.01	0.96
	LOW	700	0.98	0.98	0.95
	HIGH	900	1.02	1.04	0.97
4TXCB025AS3+TDD060R9V3	NOMINAL	800	0.94	0.96	0.90
	LOW	700	0.92	0.93	0.89
	HIGH	900	0.95	0.98	0.91

**CORRECTION FACTORS FOR OTHER COMBINATIONS (MULTIPLY DATA BY FACTOR)**

INDOOR MODEL		CFM	MBTUH TOT	MBTUH SEN	SYST KW
4TXCB025AS3+TDD080R9V3	NOMINAL	800	0.94	0.95	0.90
	LOW	700	0.92	0.92	0.89
	HIGH	900	0.95	0.98	0.91
4TXCB025AS3+TDX1B060A9H3	NOMINAL	800	0.94	0.96	0.91
	LOW	700	0.92	0.93	0.90
	HIGH	900	0.96	0.99	0.92
4TXCB025AS3+TDX1B080A9H3	NOMINAL	800	0.94	0.97	0.92
	LOW	700	0.92	0.94	0.91
	HIGH	900	0.96	1.00	0.93
4TXCB025AS3+TDY060R9V3	NOMINAL	800	0.94	0.95	0.90
	LOW	700	0.92	0.92	0.89
	HIGH	900	0.96	0.98	0.91
4TXCB025AS3+TDY080R9V3	NOMINAL	800	0.94	0.95	0.90
	LOW	700	0.92	0.92	0.89
	HIGH	900	0.96	0.98	0.91
4TXCB025AS3+TUD060R9V3	NOMINAL	800	0.94	0.96	0.91
	LOW	700	0.92	0.93	0.90
	HIGH	900	0.96	0.98	0.92
4TXCB025AS3+TUD080R9V3	NOMINAL	800	0.94	0.96	0.90
	LOW	700	0.92	0.93	0.89
	HIGH	900	0.95	0.98	0.91
4TXCB025AS3+TUD100R9V3	NOMINAL	800	0.94	0.96	0.90
	LOW	700	0.92	0.93	0.89
	HIGH	900	0.95	0.98	0.91
4TXCB025AS3+TUD1B060A9H3	NOMINAL	800	0.94	0.96	0.91
	LOW	700	0.92	0.93	0.90
	HIGH	900	0.96	0.98	0.92
4TXCB025AS3+TUX1B060A9H3	NOMINAL	800	0.94	0.96	0.91
	LOW	700	0.92	0.93	0.90
	HIGH	900	0.96	0.98	0.92
4TXCB025AS3+TUY060R9V3	NOMINAL	800	0.94	0.95	0.90
	LOW	700	0.92	0.92	0.89
	HIGH	900	0.95	0.98	0.91
4TXCB025AS3+TUY080R9V3	NOMINAL	800	0.94	0.94	0.89
	LOW	700	0.92	0.92	0.88
	HIGH	900	0.95	0.97	0.90
4TXCB031AC3	NOMINAL	800	0.99	0.99	0.97
	LOW	700	0.97	0.96	0.96
	HIGH	900	1.01	1.02	0.98
4TXCB031AC3+TDD060R9V3	NOMINAL	800	1.00	1.02	0.97
	LOW	700	0.98	0.99	0.96
	HIGH	900	1.02	1.05	0.98
4TXCB031AC3+TDD080R9V3	NOMINAL	800	1.01	1.02	0.98
	LOW	700	0.99	0.99	0.97
	HIGH	900	1.03	1.05	0.99
4TXCB031AC3+TDX1B060A9H3	NOMINAL	800	1.00	1.02	0.98
	LOW	700	0.98	0.99	0.97
	HIGH	900	1.02	1.05	0.99
4TXCB031AC3+TDX1B080A9H3	NOMINAL	800	1.01	1.03	0.99
	LOW	700	0.99	1.00	0.98
	HIGH	900	1.03	1.06	1.00
4TXCB031AC3+TDY060R9V3	NOMINAL	800	1.00	1.02	0.96
	LOW	700	0.98	0.99	0.95
	HIGH	900	1.02	1.05	0.97
4TXCB031AC3+TDY080R9V3	NOMINAL	800	1.00	1.02	0.96
	LOW	700	0.98	0.99	0.95
	HIGH	900	1.02	1.05	0.97
4TXCB031AC3+TUX1B060A9H3	NOMINAL	800	1.01	1.03	0.98
	LOW	700	0.99	1.00	0.97
	HIGH	900	1.03	1.06	0.99
4TXCB031AC3+TUY060R9V3	NOMINAL	800	1.00	1.01	0.96
	LOW	700	0.98	0.98	0.95
	HIGH	900	1.02	1.04	0.97



# Performance Data Cooling

## 4TTB3024A1

CORRECTION FACTORS FOR OTHER COMBINATIONS (MULTIPLY DATA BY FACTOR)

INDOOR MODEL		CFM	MBTUH TOT	MBTUH SEN	SYST KW
4TXCB031AC3+TUY080R9V3	NOMINAL	800	1.01	1.02	0.96
	LOW	700	0.99	0.99	0.95
	HIGH	900	1.03	1.05	0.97
4TXCB031AS3	NOMINAL	800	1.00	1.02	0.98
	LOW	700	0.98	0.99	0.97
	HIGH	900	1.02	1.05	0.99
4TXCB031AS3+TDD060R9V3	NOMINAL	800	1.02	1.05	0.99
	LOW	700	0.99	1.02	0.98
	HIGH	900	1.04	1.08	1.00
4TXCB031AS3+TDD080R9V3	NOMINAL	800	1.02	1.04	0.98
	LOW	700	0.99	1.01	0.97
	HIGH	900	1.04	1.08	0.99
4TXCB031AS3+TDX1B060A9H3	NOMINAL	800	1.01	1.04	0.99
	LOW	700	0.99	1.01	0.98
	HIGH	900	1.03	1.08	1.00
4TXCB031AS3+TDX1B080A9H3	NOMINAL	800	1.01	1.04	0.99
	LOW	700	0.99	1.01	0.98
	HIGH	900	1.03	1.08	1.00
4TXCB031AS3+TDY060R9V3	NOMINAL	800	1.02	1.04	0.97
	LOW	700	0.99	1.01	0.96
	HIGH	900	1.04	1.07	0.98
4TXCB031AS3+TDY080R9V3	NOMINAL	800	1.02	1.04	0.97
	LOW	700	0.99	1.01	0.96
	HIGH	900	1.04	1.07	0.98
4TXCB031AS3+TUD060R9V3	NOMINAL	800	1.01	1.04	0.99
	LOW	700	0.99	1.01	0.98
	HIGH	900	1.03	1.08	1.00
4TXCB031AS3+TUD080R9V3	NOMINAL	800	1.02	1.05	0.99
	LOW	700	0.99	1.02	0.98
	HIGH	900	1.04	1.08	1.00
4TXCB031AS3+TUD100R9V3	NOMINAL	800	1.01	1.04	0.98
	LOW	700	0.99	1.01	0.97
	HIGH	900	1.03	1.07	0.99
4TXCB031AS3+TUD1B060A9H3	NOMINAL	800	1.02	1.05	0.99
	LOW	700	0.99	1.02	0.98
	HIGH	900	1.04	1.08	1.00
4TXCB031AS3+TUX1B060A9H3	NOMINAL	800	1.02	1.05	0.99
	LOW	700	0.99	1.02	0.98
	HIGH	900	1.04	1.08	1.00
4TXCB031AS3+TUY060R9V3	NOMINAL	800	1.01	1.04	0.97
	LOW	700	0.99	1.01	0.96
	HIGH	900	1.03	1.07	0.98
4TXCB031AS3+TUY080R9V3	NOMINAL	800	1.01	1.04	0.96
	LOW	700	0.99	1.01	0.95
	HIGH	900	1.03	1.07	0.97
4TXCB036AC3	NOMINAL	800	0.99	1.03	0.98
	LOW	700	0.97	1.00	0.97
	HIGH	900	1.01	1.06	0.99
4TXCB036AC3+TDD060R9V3	NOMINAL	800	1.01	1.05	0.98
	LOW	700	0.99	1.02	0.97
	HIGH	900	1.03	1.08	0.99
4TXCB036AC3+TDD080R9V3	NOMINAL	800	1.02	1.06	0.98
	LOW	700	0.99	1.02	0.97
	HIGH	900	1.04	1.09	0.99
4TXCB036AC3+TDX1B060A9H3	NOMINAL	800	1.02	1.06	1.00
	LOW	700	0.99	1.02	0.99
	HIGH	900	1.04	1.09	1.01
4TXCB036AC3+TDY060R9V3	NOMINAL	800	1.01	1.05	0.97
	LOW	700	0.99	1.02	0.96
	HIGH	900	1.03	1.08	0.98
4TXCB036AC3+TDY080R9V3	NOMINAL	800	1.01	1.05	0.97
	LOW	700	0.99	1.02	0.96
	HIGH	900	1.03	1.08	0.98

CORRECTION FACTORS FOR OTHER COMBINATIONS (MULTIPLY DATA BY FACTOR)

INDOOR MODEL		CFM	MBTUH TOT	MBTUH SEN	SYST KW
4TXCB036AC3+TUY060R9V3	NOMINAL	800	1.01	1.05	0.97
	LOW	700	0.99	1.02	0.96
	HIGH	900	1.03	1.08	0.98
4TXCB036AC3+TUY080R9V3	NOMINAL	800	1.01	1.05	0.97
	LOW	700	0.99	1.02	0.96
	HIGH	900	1.03	1.08	0.98
4TXCB036AS3	NOMINAL	800	1.01	1.05	1.00
	LOW	700	0.99	1.02	0.99
	HIGH	900	1.03	1.08	1.01
4TXCB036AS3+TDD060R9V3	NOMINAL	800	1.03	1.07	1.00
	LOW	700	1.01	1.04	0.99
	HIGH	900	1.05	1.10	1.01
4TXCB036AS3+TDD080R9V3	NOMINAL	800	1.03	1.08	1.00
	LOW	700	1.01	1.05	0.99
	HIGH	900	1.05	1.11	1.01
4TXCB036AS3+TDX1B060A9H3	NOMINAL	800	1.03	1.08	1.01
	LOW	700	1.01	1.05	1.00
	HIGH	900	1.05	1.11	1.02
4TXCB036AS3+TDY060R9V3	NOMINAL	800	1.02	1.07	0.98
	LOW	700	1.00	1.03	0.97
	HIGH	900	1.04	1.10	0.99
4TXCB036AS3+TDY080R9V3	NOMINAL	800	1.03	1.08	0.99
	LOW	700	1.01	1.05	0.98
	HIGH	900	1.05	1.11	1.00
4TXCB036AS3+TUD060R9V3	NOMINAL	800	1.03	1.07	1.00
	LOW	700	1.01	1.04	0.99
	HIGH	900	1.05	1.10	1.01
4TXCB036AS3+TUD080R9V3	NOMINAL	800	1.03	1.08	1.00
	LOW	700	1.01	1.05	0.99
	HIGH	900	1.05	1.11	1.01
4TXCB036AS3+TUD100R9V3	NOMINAL	800	1.03	1.07	1.00
	LOW	700	1.01	1.04	0.99
	HIGH	900	1.05	1.10	1.01
4TXCB036AS3+TUY060R9V3	NOMINAL	800	1.03	1.07	0.99
	LOW	700	1.01	1.04	0.98
	HIGH	900	1.05	1.10	1.00
4TXCB036AS3+TUY080R9V3	NOMINAL	800	1.03	1.08	0.99
	LOW	700	1.01	1.05	0.98
	HIGH	900	1.05	1.11	1.00
4TXCC037AC3	NOMINAL	800	0.99	1.03	0.98
	LOW	700	0.97	1.00	0.97
	HIGH	900	1.01	1.06	0.99
4TXCC037AC3+TDD060R9V3	NOMINAL	800	1.02	1.06	0.99
	LOW	700	0.99	1.03	0.98
	HIGH	900	1.04	1.09	1.00
4TXCC037AC3+TDD080R9V3	NOMINAL	800	1.01	1.06	0.98
	LOW	700	0.99	1.02	0.97
	HIGH	900	1.03	1.09	0.99
4TXCC037AC3+TDY060R9V3	NOMINAL	800	1.02	1.05	0.97
	LOW	700	0.99	1.02	0.96
	HIGH	900	1.04	1.08	0.98
4TXCC037AC3+TDY080R9V3	NOMINAL	800	1.01	1.05	0.97
	LOW	700	0.99	1.02	0.96
	HIGH	900	1.03	1.08	0.98
4TXCC037AC3+TUY060R9V3	NOMINAL	800	1.01	1.05	0.97
	LOW	700	0.99	1.02	0.96
	HIGH	900	1.03	1.08	0.98
4TXCC037AC3+TUY080R9V3	NOMINAL	800	1.01	1.05	0.97
	LOW	700	0.99	1.02	0.96
	HIGH	900	1.03	1.08	0.98
4TXCC037AS3	NOMINAL	800	1.02	1.05	1.00
	LOW	700	1.00	1.02	0.99
	HIGH	900	1.04	1.08	1.01



# Performance Data Cooling

## 4TTB3024A1

**CORRECTION FACTORS FOR OTHER COMBINATIONS (MULTIPLY DATA BY FACTOR)**

INDOOR MODEL		CFM	MBTUH TOT	MBTUH SEN	SYST KW
4TXFH018AS3+TDD060R9V3	NOMINAL	800	0.95	0.97	0.92
	LOW	700	0.94	0.94	0.91
	HIGH	900	0.97	1.00	0.93
4TXFH018AS3+TDD080R9V3	NOMINAL	800	0.95	0.96	0.92
	LOW	700	0.93	0.93	0.91
	HIGH	900	0.97	0.99	0.93
4TXFH018AS3+TDX1B060A9H3	NOMINAL	800	0.95	0.97	0.92
	LOW	700	0.94	0.94	0.91
	HIGH	900	0.97	1.00	0.93
4TXFH018AS3+TDY060R9V3	NOMINAL	800	0.95	0.96	0.91
	LOW	700	0.94	0.93	0.90
	HIGH	900	0.97	0.99	0.92
4TXFH018AS3+TDY080R9V3	NOMINAL	800	0.95	0.96	0.91
	LOW	700	0.94	0.93	0.90
	HIGH	900	0.97	0.99	0.92
4TXFH018AS3+TUX1B060A9H3	NOMINAL	800	0.95	0.97	0.92
	LOW	700	0.93	0.94	0.91
	HIGH	900	0.97	1.00	0.93
4TXFH018AS3+TUY060R9V3	NOMINAL	800	0.95	0.95	0.90
	LOW	700	0.93	0.92	0.89
	HIGH	900	0.97	0.98	0.91
4TXFH018AS3+TUY080R9V3	NOMINAL	800	0.95	0.96	0.91
	LOW	700	0.93	0.93	0.90
	HIGH	900	0.97	0.98	0.92
4TXFH033AS3	NOMINAL	800	0.99	0.99	0.97
	LOW	700	0.97	0.96	0.96
	HIGH	900	1.01	1.02	0.98
4TXFH033AS3+TDD060R9V3	NOMINAL	800	1.01	1.02	0.98
	LOW	700	0.99	0.99	0.97
	HIGH	900	1.03	1.05	0.99
4TXFH033AS3+TDD080R9V3	NOMINAL	800	1.01	1.02	0.98
	LOW	700	0.99	0.99	0.97
	HIGH	900	1.03	1.05	0.99
4TXFH033AS3+TDX1B060A9H3	NOMINAL	800	1.01	1.02	0.98
	LOW	700	0.99	0.99	0.97
	HIGH	900	1.03	1.05	0.99
4TXFH033AS3+TDY060R9V3	NOMINAL	800	1.01	1.02	0.96
	LOW	700	0.99	0.99	0.95
	HIGH	900	1.03	1.05	0.97
4TXFH033AS3+TDY080R9V3	NOMINAL	800	1.01	1.02	0.96
	LOW	700	0.99	0.99	0.95
	HIGH	900	1.03	1.05	0.97
4TXFH033AS3+TUD060R9V3	NOMINAL	800	1.01	1.02	0.98
	LOW	700	0.99	0.99	0.97
	HIGH	900	1.03	1.05	0.99
4TXFH033AS3+TUD080R9V3	NOMINAL	800	1.01	1.02	0.98
	LOW	700	0.99	0.99	0.97
	HIGH	900	1.03	1.05	0.99
4TXFH033AS3+TUD100R9V3	NOMINAL	800	1.00	1.02	0.97
	LOW	700	0.98	0.99	0.96
	HIGH	900	1.02	1.05	0.98
4TXFH033AS3+TUX1B060A9H3	NOMINAL	800	1.01	1.03	0.99
	LOW	700	0.99	1.00	0.98
	HIGH	900	1.03	1.06	1.00
4TXFH033AS3+TUY060R9V3	NOMINAL	800	1.01	1.01	0.96
	LOW	700	0.99	0.98	0.95
	HIGH	900	1.03	1.04	0.97
4TXFH033AS3+TUY080R9V3	NOMINAL	800	1.01	1.02	0.96
	LOW	700	0.99	0.99	0.95
	HIGH	900	1.03	1.05	0.97
RXC025S3+TDD060R9V3	NOMINAL	800	0.94	0.96	0.91
	LOW	700	0.92	0.93	0.90
	HIGH	900	0.96	0.98	0.92

**CORRECTION FACTORS FOR OTHER COMBINATIONS (MULTIPLY DATA BY FACTOR)**

INDOOR MODEL		CFM	MBTUH TOT	MBTUH SEN	SYST KW
RXC025S3+TDD080R9V3	NOMINAL	800	0.94	0.95	0.91
	LOW	700	0.92	0.92	0.90
	HIGH	900	0.96	0.98	0.92
RXC025S3+TDX1B040A9H2	NOMINAL	800	0.94	0.95	0.91
	LOW	700	0.92	0.92	0.90
	HIGH	900	0.96	0.98	0.92
RXC025S3+TDX1B060A9H3	NOMINAL	800	0.94	0.96	0.91
	LOW	700	0.92	0.93	0.90
	HIGH	900	0.96	0.98	0.92
RXC025S3+TDX1B080A9H3	NOMINAL	800	0.94	0.96	0.92
	LOW	700	0.92	0.93	0.91
	HIGH	900	0.96	0.99	0.93
RXC025S3+TDY060R9V3	NOMINAL	800	0.95	0.94	0.90
	LOW	700	0.93	0.92	0.89
	HIGH	900	0.97	0.97	0.91
RXC025S3+TDY080R9V3	NOMINAL	800	0.95	0.94	0.90
	LOW	700	0.93	0.92	0.89
	HIGH	900	0.97	0.97	0.91
RXC025S3+TUD060R9V3	NOMINAL	800	0.94	0.96	0.91
	LOW	700	0.92	0.93	0.90
	HIGH	900	0.96	0.98	0.92
RXC025S3+TUD080R9V3	NOMINAL	800	0.94	0.96	0.91
	LOW	700	0.92	0.93	0.90
	HIGH	900	0.96	0.98	0.92
RXC025S3+TUD100R9V3	NOMINAL	800	0.94	0.95	0.91
	LOW	700	0.92	0.92	0.90
	HIGH	900	0.96	0.98	0.92
RXC025S3+TUD1A040A9H2	NOMINAL	800	0.94	0.96	0.92
	LOW	700	0.92	0.93	0.91
	HIGH	900	0.96	0.99	0.93
RXC025S3+TUD1B060A9H3	NOMINAL	800	0.95	0.96	0.92
	LOW	700	0.93	0.93	0.91
	HIGH	900	0.97	0.99	0.93
RXC025S3+TUX1B040A9H2	NOMINAL	800	0.94	0.95	0.91
	LOW	700	0.92	0.92	0.90
	HIGH	900	0.96	0.98	0.92
RXC025S3+TUX1B060A9H3	NOMINAL	800	0.95	0.96	0.92
	LOW	700	0.93	0.93	0.91
	HIGH	900	0.97	0.99	0.93
RXC025S3+TUY060R9V3	NOMINAL	800	0.94	0.94	0.90
	LOW	700	0.92	0.92	0.89
	HIGH	900	0.96	0.97	0.91
RXC025S3+TUY080R9V3	NOMINAL	800	0.94	0.94	0.90
	LOW	700	0.92	0.92	0.89
	HIGH	900	0.96	0.97	0.91
RXC031S3	NOMINAL	800	1.00	1.01	0.98
	LOW	700	0.98	0.98	0.97
	HIGH	900	1.02	1.04	0.99
RXC031S3+TDD060R9V3	NOMINAL	800	1.02	1.04	0.99
	LOW	700	0.99	1.01	0.98
	HIGH	900	1.04	1.07	1.00
RXC031S3+TDD080R9V3	NOMINAL	800	1.02	1.04	0.98
	LOW	700	0.99	1.01	0.97
	HIGH	900	1.04	1.07	0.99
RXC031S3+TDX1B040A9H2	NOMINAL	800	1.02	1.04	0.99
	LOW	700	0.99	1.01	0.98
	HIGH	900	1.04	1.07	1.00
RXC031S3+TDX1B060A9H3	NOMINAL	800	1.02	1.04	1.00
	LOW	700	1.00	1.01	0.99
	HIGH	900	1.04	1.08	1.01
RXC031S3+TDX1B080A9H3	NOMINAL	800	1.02	1.04	1.00
	LOW	700	1.00	1.01	0.99
	HIGH	900	1.04	1.08	1.01



# Performance Data Cooling

## 4TTB3024A1

**CORRECTION FACTORS FOR OTHER COMBINATIONS (MULTIPLY DATA BY FACTOR)**

INDOOR MODEL		CFM	MBTUH TOT	MBTUH SEN	SYST KW
RXC031S3+TDY060R9V3	NOMINAL	800	1.02	1.03	0.97
	LOW	700	0.99	1.00	0.96
	HIGH	900	1.04	1.06	0.98
RXC031S3+TDY080R9V3	NOMINAL	800	1.02	1.03	0.97
	LOW	700	0.99	1.00	0.96
	HIGH	900	1.04	1.06	0.98
RXC031S3+TUD060R9V3	NOMINAL	800	1.01	1.03	0.99
	LOW	700	0.99	1.00	0.98
	HIGH	900	1.03	1.06	1.00
RXC031S3+TUD080R9V3	NOMINAL	800	1.02	1.04	0.99
	LOW	700	0.99	1.01	0.98
	HIGH	900	1.04	1.07	1.00
RXC031S3+TUD100R9V3	NOMINAL	800	1.02	1.04	0.99
	LOW	700	0.99	1.01	0.98
	HIGH	900	1.04	1.07	1.00
RXC031S3+TUD1A040A9H2	NOMINAL	800	1.02	1.04	0.99
	LOW	700	0.99	1.01	0.98
	HIGH	900	1.04	1.07	1.00
RXC031S3+TUD1B060A9H3	NOMINAL	800	1.02	1.05	1.00
	LOW	700	1.00	1.02	0.99
	HIGH	900	1.04	1.08	1.01
RXC031S3+TUX1B040A9H2	NOMINAL	800	1.02	1.04	1.00
	LOW	700	1.00	1.01	0.99
	HIGH	900	1.04	1.08	1.01
RXC031S3+TUX1B060A9H3	NOMINAL	800	1.02	1.04	0.99
	LOW	700	0.99	1.01	0.98
	HIGH	900	1.04	1.07	1.00
RXC031S3+TUY060R9V3	NOMINAL	800	1.01	1.03	0.97
	LOW	700	0.99	1.00	0.96
	HIGH	900	1.03	1.06	0.98
RXC031S3+TUY080R9V3	NOMINAL	800	1.02	1.03	0.97
	LOW	700	0.99	1.00	0.96
	HIGH	900	1.04	1.06	0.98
RXC036S3	NOMINAL	800	1.01	1.03	1.00
	LOW	700	0.99	1.00	0.99
	HIGH	900	1.03	1.06	1.01
RXC036S3+TDD060R9V3	NOMINAL	800	1.03	1.07	1.00
	LOW	700	1.01	1.03	0.99
	HIGH	900	1.06	1.10	1.01

**CORRECTION FACTORS FOR OTHER COMBINATIONS (MULTIPLY DATA BY FACTOR)**

INDOOR MODEL		CFM	MBTUH TOT	MBTUH SEN	SYST KW
RXC036S3+TDD080R9V3	NOMINAL	800	1.03	1.07	1.00
	LOW	700	1.01	1.03	0.99
	HIGH	900	1.05	1.10	1.01
RXC036S3+TDX1B040A9H2	NOMINAL	800	1.04	1.07	1.01
	LOW	700	1.02	1.04	1.00
	HIGH	900	1.06	1.10	1.02
RXC036S3+TDX1B060A9H3	NOMINAL	800	1.03	1.07	1.01
	LOW	700	1.01	1.03	1.00
	HIGH	900	1.05	1.10	1.02
RXC036S3+TDY060R9V3	NOMINAL	800	1.03	1.06	0.99
	LOW	700	1.01	1.03	0.98
	HIGH	900	1.05	1.09	1.00
RXC036S3+TDY080R9V3	NOMINAL	800	1.03	1.06	0.99
	LOW	700	1.01	1.03	0.98
	HIGH	900	1.05	1.09	1.00
RXC036S3+TUD060R9V3	NOMINAL	800	1.03	1.06	1.00
	LOW	700	1.01	1.03	0.99
	HIGH	900	1.05	1.09	1.01
RXC036S3+TUD080R9V3	NOMINAL	800	1.04	1.07	1.01
	LOW	700	1.02	1.04	1.00
	HIGH	900	1.06	1.10	1.02
RXC036S3+TUD100R9V3	NOMINAL	800	1.03	1.07	1.00
	LOW	700	1.01	1.03	0.99
	HIGH	900	1.06	1.10	1.01
RXC036S3+TUD1A040A9H2	NOMINAL	800	1.03	1.07	1.01
	LOW	700	1.01	1.04	1.00
	HIGH	900	1.06	1.10	1.02
RXC036S3+TUX1B040A9H2	NOMINAL	800	1.03	1.07	1.01
	LOW	700	1.01	1.04	1.00
	HIGH	900	1.06	1.10	1.02
RXC036S3+TUX1B060A9H3	NOMINAL	800	1.03	1.07	1.01
	LOW	700	1.01	1.04	1.00
	HIGH	900	1.06	1.10	1.02
RXC036S3+TUY060R9V3	NOMINAL	800	1.03	1.06	0.99
	LOW	700	1.01	1.03	0.98
	HIGH	900	1.05	1.09	1.00
RXC036S3+TUY080R9V3	NOMINAL	800	1.03	1.06	0.99
	LOW	700	1.01	1.03	0.98
	HIGH	900	1.05	1.09	1.00



# Performance Data Cooling

## 4TTB3030A1

### 4TTB3030A1 WITH 4TXCB031AC3 AT 1000 CFM

O.D. D.B.	I.D. W.B.	TOT. CAP.	SENS. CAP. AT ENTERING D.B. TEMP.				TOTAL KW
			72	75	78	80	
85	59	27.6	22.1	24.8	27.5	27.1	2.38
	63	28.8	18.0	20.7	23.3	25.1	2.39
	67	31.1	14.2	16.9	19.6	21.4	2.43
	71	33.5	10.4	13.1	15.8	17.6	2.45
95	59	25.8	21.3	24.0	25.8	25.8	2.58
	63	26.9	17.2	19.9	22.6	24.4	2.59
	67	29.0	13.4	16.1	18.8	20.6	2.64
	71	31.3	9.7	12.3	15.0	16.8	2.66
105	59	24.9	20.8	23.5	24.9	24.9	2.68
	63	26.0	16.8	19.5	22.2	24.0	2.69
	67	28.0	13.0	15.7	18.4	20.2	2.74
	71	30.2	9.3	12.0	14.7	16.5	2.76
115	59	22.2	19.7	22.2	22.2	22.2	2.98
	63	23.1	15.6	18.3	21.0	22.8	3.00
	67	24.9	11.9	14.6	17.3	19.1	3.05
	71	26.9	8.2	10.8	13.6	15.3	3.07

### CORRECTION FACTORS FOR OTHER AIRFLOWS (MULTIPLY DATA BY FACTOR)

AIRFLOW	TOTAL CAPACITY	SENSIBLE CAPACITY
LOW	0.98	0.98
HIGH	1.02	1.02

NOTE: ALL TABLES ABOVE ARE AT ARI RATING CONDITIONS RATED WITH 25 FEET OF REFRIGERANT LINES.  
 \* DRY COIL CONDITION (TOTAL CAPACITY = SENSIBLE CAPACITY)  
 TOTAL CAPACITY, COMP. KW AND APP. DEW PT. ARE VALID ONLY FOR WET COIL. ALL TEMPERATURES IN DEGREES F.

### CORRECTION FACTORS FOR OTHER COMBINATIONS (MULTIPLY DATA BY FACTOR)

INDOOR MODEL	CFM	MBTUH TOT	MBTUH SEN	SYST KW
2TEH3F30A1+4AYTXVH-3	NOMINAL	1000	1.04	1.01
	LOW	875	1.02	1.00
	HIGH	1125	1.06	1.02
2TEH3F36A1+4AYTXVH-3	NOMINAL	1000	1.03	1.01
	LOW	875	1.01	1.00
	HIGH	1125	1.05	1.02
2TFB3F30B1+4AYTXVH-3	NOMINAL	1000	1.01	1.00
	LOW	875	0.99	0.99
	HIGH	1125	1.03	1.01
2TGB3F30A1+4AYTXVH-3	NOMINAL	1000	1.01	1.01
	LOW	875	0.99	1.00
	HIGH	1125	1.03	1.02
2TGB3F36A1+4AYTXVH-3	NOMINAL	1000	1.02	1.01
	LOW	875	1.00	0.99
	HIGH	1125	1.04	1.02
4CXAB031AC3	NOMINAL	1000	1.00	1.00
	LOW	875	0.98	0.99
	HIGH	1125	1.02	1.01
4CXAB031AC3+TDD060R9V3	NOMINAL	1000	1.01	0.99
	LOW	875	0.99	0.98
	HIGH	1125	1.03	1.00
4CXAB031AC3+TDD080R9V3	NOMINAL	1000	1.02	0.99
	LOW	875	1.00	0.98
	HIGH	1125	1.04	1.00
4CXAB031AC3+TDD1B060A9H3	NOMINAL	1000	1.02	0.99
	LOW	875	1.00	0.98
	HIGH	1125	1.04	1.00
4CXAB031AC3+TDD1B080A9H3	NOMINAL	1000	1.02	0.99
	LOW	875	1.00	0.98
	HIGH	1125	1.04	1.00
4CXAB031AC3+TDX1B060A9H3	NOMINAL	1000	1.02	0.99
	LOW	875	1.00	0.98
	HIGH	1125	1.04	1.00

### CORRECTION FACTORS FOR OTHER COMBINATIONS (MULTIPLY DATA BY FACTOR)

INDOOR MODEL	CFM	MBTUH TOT	MBTUH SEN	SYST KW
4CXAB031AC3+TDX1B080A9H3	NOMINAL	1000	1.02	0.99
	LOW	875	1.00	0.98
	HIGH	1125	1.04	1.00
4CXAB031AC3+TDY060R9V3	NOMINAL	1000	1.02	0.98
	LOW	875	1.00	0.97
	HIGH	1125	1.04	0.99
4CXAB031AC3+TDY080R9V3	NOMINAL	1000	1.01	0.98
	LOW	875	0.99	0.97
	HIGH	1125	1.03	0.99
4CXAB031AC3+TDY100R9V4	NOMINAL	1000	1.01	1.00
	LOW	875	0.99	0.99
	HIGH	1125	1.03	1.01
4CXAB031AC3+TUD060R9V3	NOMINAL	1000	1.01	0.99
	LOW	875	0.99	0.98
	HIGH	1125	1.03	1.00
4CXAB031AC3+TUD080R9V3	NOMINAL	1000	1.01	0.99
	LOW	875	0.99	0.98
	HIGH	1125	1.03	1.00
4CXAB031AC3+TUD080R9V4	NOMINAL	1000	1.02	1.00
	LOW	875	1.00	0.99
	HIGH	1125	1.04	1.01
4CXAB031AC3+TUD100R9V3	NOMINAL	1000	1.01	0.99
	LOW	875	0.99	0.98
	HIGH	1125	1.03	1.00
4CXAB031AC3+TUD1B060A9H3	NOMINAL	1000	1.02	1.00
	LOW	875	1.00	0.99
	HIGH	1125	1.04	1.01
4CXAB031AC3+TUD1B080A9H3	NOMINAL	1000	1.03	1.00
	LOW	875	1.01	0.99
	HIGH	1125	1.05	1.01
4CXAB031AC3+TUD1B100A9H3	NOMINAL	1000	1.02	1.00
	LOW	875	1.00	0.99
	HIGH	1125	1.04	1.01
4CXAB031AC3+TUD1C080A9H4	NOMINAL	1000	1.03	1.01
	LOW	875	1.01	1.00
	HIGH	1125	1.05	1.02
4CXAB031AC3+TUX1B060A9H3	NOMINAL	1000	1.02	1.00
	LOW	875	1.00	0.99
	HIGH	1125	1.04	1.01
4CXAB031AC3+TUY060R9V3	NOMINAL	1000	1.02	0.98
	LOW	875	1.00	0.97
	HIGH	1125	1.04	0.99
4CXAB031AC3+TUY080R9V3	NOMINAL	1000	1.02	0.98
	LOW	875	1.00	0.97
	HIGH	1125	1.04	0.99
4CXAB031AC3+TUY100R9V4	NOMINAL	1000	1.01	1.00
	LOW	875	0.99	0.99
	HIGH	1125	1.03	1.01
4CXAB036AC3	NOMINAL	1000	1.01	1.01
	LOW	875	0.99	1.00
	HIGH	1125	1.03	1.02
4CXAB036AC3+TDD060R9V3	NOMINAL	1000	1.03	1.01
	LOW	875	1.01	1.00
	HIGH	1125	1.05	1.02
4CXAB036AC3+TDD080R9V3	NOMINAL	1000	1.03	1.00
	LOW	875	1.01	0.99
	HIGH	1125	1.05	1.01
4CXAB036AC3+TDD1B060A9H3	NOMINAL	1000	1.02	1.01
	LOW	875	1.00	1.00
	HIGH	1125	1.04	1.02
4CXAB036AC3+TDD1B080A9H3	NOMINAL	1000	1.02	1.01
	LOW	875	1.00	1.00
	HIGH	1125	1.04	1.02



# Performance Data Cooling

## 4TTB3030A1

**CORRECTION FACTORS FOR OTHER COMBINATIONS (MULTIPLY DATA BY FACTOR)**

INDOOR MODEL		CFM	MBTUH TOT	MBTUH SEN	SYST KW
4CXAB036AC3+TDX1B060A9H3	NOMINAL	1000	1.02	1.07	1.01
	LOW	875	1.00	1.04	1.00
	HIGH	1125	1.04	1.11	1.02
4CXAB036AC3+TDX1B080A9H3	NOMINAL	1000	1.03	1.07	1.00
	LOW	875	1.01	1.04	0.99
	HIGH	1125	1.05	1.11	1.01
4CXAB036AC3+TDX1C100A9H4	NOMINAL	1000	1.03	1.08	1.02
	LOW	875	1.01	1.05	1.01
	HIGH	1125	1.05	1.11	1.03
4CXAB036AC3+TDY060R9V3	NOMINAL	1000	1.03	1.07	0.99
	LOW	875	1.01	1.04	0.98
	HIGH	1125	1.05	1.11	1.00
4CXAB036AC3+TDY080R9V3	NOMINAL	1000	1.03	1.07	0.99
	LOW	875	1.01	1.03	0.98
	HIGH	1125	1.05	1.10	1.00
4CXAB036AC3+TDY100R9V4	NOMINAL	1000	1.02	1.07	1.00
	LOW	875	1.00	1.03	0.99
	HIGH	1125	1.04	1.10	1.01
4CXAB036AC3+TUD060R9V3	NOMINAL	1000	1.02	1.07	1.00
	LOW	875	1.00	1.03	0.99
	HIGH	1125	1.04	1.10	1.01
4CXAB036AC3+TUD080R9V3	NOMINAL	1000	1.03	1.07	1.00
	LOW	875	1.01	1.04	0.99
	HIGH	1125	1.05	1.11	1.01
4CXAB036AC3+TUD080R9V4	NOMINAL	1000	1.03	1.08	1.01
	LOW	875	1.01	1.05	1.00
	HIGH	1125	1.05	1.12	1.02
4CXAB036AC3+TUD100R9V3	NOMINAL	1000	1.02	1.07	1.00
	LOW	875	1.00	1.03	0.99
	HIGH	1125	1.04	1.10	1.01
4CXAB036AC3+TUD1B060A9H3	NOMINAL	1000	1.03	1.08	1.01
	LOW	875	1.01	1.05	1.00
	HIGH	1125	1.05	1.11	1.02
4CXAB036AC3+TUD1B080A9H3	NOMINAL	1000	1.03	1.08	1.02
	LOW	875	1.01	1.05	1.01
	HIGH	1125	1.05	1.11	1.03
4CXAB036AC3+TUD1B100A9H3	NOMINAL	1000	1.04	1.08	1.01
	LOW	875	1.01	1.05	1.00
	HIGH	1125	1.06	1.12	1.02
4CXAB036AC3+TUD1C080A9H4	NOMINAL	1000	1.03	1.08	1.01
	LOW	875	1.01	1.05	1.00
	HIGH	1125	1.05	1.12	1.02
4CXAB036AC3+TUX1B060A9H3	NOMINAL	1000	1.03	1.07	1.00
	LOW	875	1.01	1.04	0.99
	HIGH	1125	1.05	1.11	1.01
4CXAB036AC3+TUX1B080A9H3	NOMINAL	1000	1.03	1.08	1.02
	LOW	875	1.01	1.05	1.01
	HIGH	1125	1.05	1.11	1.03
4CXAB036AC3+TUX1C100A9H4	NOMINAL	1000	1.03	1.08	1.02
	LOW	875	1.01	1.05	1.01
	HIGH	1125	1.05	1.12	1.03
4CXAB036AC3+TUY060R9V3	NOMINAL	1000	1.03	1.07	0.99
	LOW	875	1.01	1.04	0.98
	HIGH	1125	1.05	1.10	1.00
4CXAB036AC3+TUY080R9V3	NOMINAL	1000	1.03	1.07	1.00
	LOW	875	1.01	1.04	0.99
	HIGH	1125	1.05	1.11	1.01
4CXAB036AC3+TUY100R9V4	NOMINAL	1000	1.03	1.07	1.01
	LOW	875	1.01	1.04	1.00
	HIGH	1125	1.05	1.11	1.02
4CXAB042AC3	NOMINAL	1000	0.99	1.04	0.99
	LOW	875	0.97	1.01	0.98
	HIGH	1125	1.01	1.07	1.00

**CORRECTION FACTORS FOR OTHER COMBINATIONS (MULTIPLY DATA BY FACTOR)**

INDOOR MODEL		CFM	MBTUH TOT	MBTUH SEN	SYST KW
4CXAB042AC3+TDD060R9V3	NOMINAL	1000	1.01	1.07	0.98
	LOW	875	0.99	1.03	0.97
	HIGH	1125	1.03	1.10	0.99
4CXAB042AC3+TDD080R9V3	NOMINAL	1000	1.01	1.07	0.98
	LOW	875	0.99	1.03	0.97
	HIGH	1125	1.03	1.10	0.99
4CXAB042AC3+TDD1B060A9H3	NOMINAL	1000	1.00	1.06	0.99
	LOW	875	0.98	1.03	0.98
	HIGH	1125	1.02	1.09	1.00
4CXAB042AC3+TDD1B080A9H3	NOMINAL	1000	1.00	1.06	0.99
	LOW	875	0.98	1.03	0.98
	HIGH	1125	1.02	1.09	1.00
4CXAB042AC3+TDX1B060A9H3	NOMINAL	1000	1.00	1.06	0.99
	LOW	875	0.98	1.03	0.98
	HIGH	1125	1.02	1.09	1.00
4CXAB042AC3+TDX1B080A9H3	NOMINAL	1000	1.00	1.06	0.98
	LOW	875	0.98	1.03	0.97
	HIGH	1125	1.02	1.09	0.99
4CXAB042AC3+TDX1C100A9H4	NOMINAL	1000	1.01	1.07	1.00
	LOW	875	0.99	1.04	0.99
	HIGH	1125	1.03	1.10	1.01
4CXAB042AC3+TDY060R9V3	NOMINAL	1000	1.01	1.06	0.97
	LOW	875	0.99	1.03	0.96
	HIGH	1125	1.03	1.09	0.98
4CXAB042AC3+TDY080R9V3	NOMINAL	1000	1.00	1.06	0.97
	LOW	875	0.98	1.02	0.96
	HIGH	1125	1.02	1.09	0.98
4CXAB042AC3+TDY100R9V4	NOMINAL	1000	1.00	1.06	0.99
	LOW	875	0.98	1.03	0.98
	HIGH	1125	1.02	1.09	1.00
4CXAB042AC3+TUD060R9V3	NOMINAL	1000	1.00	1.06	0.98
	LOW	875	0.98	1.02	0.97
	HIGH	1125	1.02	1.09	0.99
4CXAB042AC3+TUD080R9V3	NOMINAL	1000	1.01	1.07	0.98
	LOW	875	0.99	1.03	0.97
	HIGH	1125	1.03	1.10	0.99
4CXAB042AC3+TUD080R9V4	NOMINAL	1000	1.01	1.07	0.99
	LOW	875	0.99	1.04	0.98
	HIGH	1125	1.03	1.11	1.00
4CXAB042AC3+TUD100R9V3	NOMINAL	1000	1.00	1.06	0.98
	LOW	875	0.98	1.02	0.97
	HIGH	1125	1.02	1.09	0.99
4CXAB042AC3+TUD1B060A9H3	NOMINAL	1000	1.00	1.07	0.99
	LOW	875	0.98	1.03	0.98
	HIGH	1125	1.02	1.10	1.00
4CXAB042AC3+TUD1B080A9H3	NOMINAL	1000	1.01	1.07	1.00
	LOW	875	0.99	1.04	0.99
	HIGH	1125	1.03	1.10	1.01
4CXAB042AC3+TUD1B100A9H3	NOMINAL	1000	1.00	1.07	1.00
	LOW	875	0.98	1.03	0.99
	HIGH	1125	1.02	1.10	1.01
4CXAB042AC3+TUD1C080A9H4	NOMINAL	1000	1.01	1.07	0.99
	LOW	875	0.99	1.04	0.98
	HIGH	1125	1.03	1.11	1.00
4CXAB042AC3+TUX1B060A9H3	NOMINAL	1000	1.00	1.06	0.99
	LOW	875	0.98	1.03	0.98
	HIGH	1125	1.02	1.09	1.00
4CXAB042AC3+TUX1B080A9H3	NOMINAL	1000	1.01	1.07	1.00
	LOW	875	0.99	1.04	0.99
	HIGH	1125	1.03	1.10	1.01
4CXAB042AC3+TUX1C100A9H4	NOMINAL	1000	1.01	1.07	1.00
	LOW	875	0.99	1.04	0.99
	HIGH	1125	1.03	1.10	1.01



# Performance Data Cooling

## 4TTB3030A1

CORRECTION FACTORS FOR OTHER COMBINATIONS (MULTIPLY DATA BY FACTOR)

INDOOR MODEL		CFM	MBTUH TOT	MBTUH SEN	SYST KW
4CXAB042AC3+TUY060R9V3	NOMINAL	1000	1.01	1.06	0.97
	LOW	875	0.99	1.02	0.96
	HIGH	1125	1.03	1.09	0.98
4CXAB042AC3+TUY080R9V3	NOMINAL	1000	1.01	1.07	0.97
	LOW	875	0.99	1.03	0.96
	HIGH	1125	1.03	1.10	0.98
4CXAB042AC3+TUY100R9V4	NOMINAL	1000	1.00	1.06	0.99
	LOW	875	0.98	1.03	0.98
	HIGH	1125	1.02	1.09	1.00
4CXAC037AC3	NOMINAL	1000	1.01	1.05	1.01
	LOW	875	0.99	1.02	1.00
	HIGH	1125	1.03	1.08	1.02
4CXAC037AC3+TDD060R9V3	NOMINAL	1000	1.03	1.07	1.00
	LOW	875	1.01	1.04	0.99
	HIGH	1125	1.05	1.11	1.01
4CXAC037AC3+TDD080R9V3	NOMINAL	1000	1.03	1.07	1.00
	LOW	875	1.01	1.04	0.99
	HIGH	1125	1.05	1.11	1.01
4CXAC037AC3+TDD1B060A9H3	NOMINAL	1000	1.03	1.07	1.00
	LOW	875	1.01	1.04	0.99
	HIGH	1125	1.05	1.11	1.01
4CXAC037AC3+TDD1B080A9H3	NOMINAL	1000	1.04	1.08	1.01
	LOW	875	1.01	1.05	1.00
	HIGH	1125	1.06	1.11	1.02
4CXAC037AC3+TDX1B060A9H3	NOMINAL	1000	1.03	1.08	1.02
	LOW	875	1.01	1.05	1.01
	HIGH	1125	1.05	1.11	1.03
4CXAC037AC3+TDX1B080A9H3	NOMINAL	1000	1.03	1.08	1.01
	LOW	875	1.01	1.05	1.00
	HIGH	1125	1.05	1.11	1.02
4CXAC037AC3+TDX1C100A9H4	NOMINAL	1000	1.03	1.08	1.02
	LOW	875	1.01	1.05	1.01
	HIGH	1125	1.05	1.12	1.03
4CXAC037AC3+TDY060R9V3	NOMINAL	1000	1.03	1.07	0.99
	LOW	875	1.01	1.04	0.98
	HIGH	1125	1.05	1.10	1.00
4CXAC037AC3+TDY080R9V3	NOMINAL	1000	1.03	1.07	0.99
	LOW	875	1.01	1.04	0.98
	HIGH	1125	1.05	1.10	1.00
4CXAC037AC3+TDY100R9V4	NOMINAL	1000	1.03	1.07	1.01
	LOW	875	1.01	1.04	1.00
	HIGH	1125	1.05	1.11	1.02
4CXAC037AC3+TUD060R9V3	NOMINAL	1000	1.02	1.07	1.00
	LOW	875	1.00	1.04	0.99
	HIGH	1125	1.04	1.10	1.01
4CXAC037AC3+TUD080R9V3	NOMINAL	1000	1.03	1.07	1.00
	LOW	875	1.01	1.04	0.99
	HIGH	1125	1.05	1.11	1.01
4CXAC037AC3+TUD080R9V4	NOMINAL	1000	1.03	1.08	1.01
	LOW	875	1.01	1.05	1.00
	HIGH	1125	1.05	1.11	1.02
4CXAC037AC3+TUD100R9V3	NOMINAL	1000	1.02	1.07	1.00
	LOW	875	1.00	1.04	0.99
	HIGH	1125	1.04	1.10	1.01
4CXAC037AC3+TUD1B060A9H3	NOMINAL	1000	1.04	1.08	1.02
	LOW	875	1.01	1.05	1.01
	HIGH	1125	1.06	1.12	1.03
4CXAC037AC3+TUD1B080A9H3	NOMINAL	1000	1.04	1.08	1.01
	LOW	875	1.01	1.05	1.00
	HIGH	1125	1.06	1.12	1.02
4CXAC037AC3+TUD1B100A9H3	NOMINAL	1000	1.03	1.08	1.01
	LOW	875	1.01	1.05	1.00
	HIGH	1125	1.05	1.11	1.02

CORRECTION FACTORS FOR OTHER COMBINATIONS (MULTIPLY DATA BY FACTOR)

INDOOR MODEL		CFM	MBTUH TOT	MBTUH SEN	SYST KW
4CXAC037AC3+TUD1C080A9H4	NOMINAL	1000	1.04	1.09	1.02
	LOW	875	1.02	1.06	1.01
	HIGH	1125	1.06	1.12	1.03
4CXAC037AC3+TUX1B060A9H3	NOMINAL	1000	1.03	1.08	1.01
	LOW	875	1.01	1.05	1.00
	HIGH	1125	1.05	1.11	1.02
4CXAC037AC3+TUX1B080A9H3	NOMINAL	1000	1.03	1.07	1.01
	LOW	875	1.01	1.04	1.00
	HIGH	1125	1.05	1.11	1.02
4CXAC037AC3+TUY060R9V3	NOMINAL	1000	1.03	1.07	0.99
	LOW	875	1.01	1.04	0.98
	HIGH	1125	1.05	1.10	1.00
4CXAC037AC3+TUY080R9V3	NOMINAL	1000	1.03	1.07	1.00
	LOW	875	1.01	1.04	0.99
	HIGH	1125	1.05	1.11	1.01
4CXAC037AC3+TUY100R9V4	NOMINAL	1000	1.03	1.07	1.01
	LOW	875	1.01	1.04	1.00
	HIGH	1125	1.05	1.11	1.02
4CXC031AC3	NOMINAL	1000	1.00	1.01	1.00
	LOW	875	0.98	0.98	0.99
	HIGH	1125	1.02	1.04	1.01
4CXC031AC3+TDD060R9V3	NOMINAL	1000	1.01	1.03	0.99
	LOW	875	0.99	1.00	0.98
	HIGH	1125	1.03	1.06	1.00
4CXC031AC3+TDD080R9V3	NOMINAL	1000	1.02	1.03	0.99
	LOW	875	1.00	1.00	0.98
	HIGH	1125	1.04	1.06	1.00
4CXC031AC3+TDD1B060A9H3	NOMINAL	1000	1.02	1.04	0.99
	LOW	875	1.00	1.01	0.98
	HIGH	1125	1.04	1.07	1.00
4CXC031AC3+TDD1B080A9H3	NOMINAL	1000	1.02	1.04	0.99
	LOW	875	1.00	1.01	0.98
	HIGH	1125	1.04	1.07	1.00
4CXC031AC3+TDX1B060A9H3	NOMINAL	1000	1.02	1.03	0.99
	LOW	875	1.00	1.00	0.98
	HIGH	1125	1.04	1.06	1.00
4CXC031AC3+TDX1B080A9H3	NOMINAL	1000	1.02	1.03	0.99
	LOW	875	1.00	1.00	0.98
	HIGH	1125	1.04	1.06	1.00
4CXC031AC3+TDY060R9V3	NOMINAL	1000	1.02	1.03	0.98
	LOW	875	1.00	1.00	0.97
	HIGH	1125	1.04	1.06	0.99
4CXC031AC3+TDY080R9V3	NOMINAL	1000	1.01	1.02	0.98
	LOW	875	0.99	0.99	0.97
	HIGH	1125	1.03	1.05	0.99
4CXC031AC3+TDY100R9V4	NOMINAL	1000	1.01	1.03	1.00
	LOW	875	0.99	1.00	0.99
	HIGH	1125	1.03	1.06	1.01
4CXC031AC3+TUD060R9V3	NOMINAL	1000	1.01	1.03	0.99
	LOW	875	0.99	1.00	0.98
	HIGH	1125	1.03	1.06	1.00
4CXC031AC3+TUD080R9V3	NOMINAL	1000	1.01	1.03	0.99
	LOW	875	0.99	1.00	0.98
	HIGH	1125	1.03	1.06	1.00
4CXC031AC3+TUD080R9V4	NOMINAL	1000	1.02	1.04	1.00
	LOW	875	1.00	1.01	0.99
	HIGH	1125	1.04	1.07	1.01
4CXC031AC3+TUD100R9V3	NOMINAL	1000	1.01	1.03	0.99
	LOW	875	0.99	1.00	0.98
	HIGH	1125	1.03	1.06	1.00
4CXC031AC3+TUD1B060A9H3	NOMINAL	1000	1.02	1.04	1.00
	LOW	875	1.00	1.01	0.99
	HIGH	1125	1.04	1.07	1.01



# Performance Data Cooling

## 4TTB3030A1

CORRECTION FACTORS FOR OTHER COMBINATIONS (MULTIPLY DATA BY FACTOR)

INDOOR MODEL		CFM	MBTUH TOT	MBTUH SEN	SYST KW
4CXCBO31AC3+TUD1B080A9H3	NOMINAL	1000	1.03	1.05	1.00
	LOW	875	1.01	1.02	0.99
	HIGH	1125	1.05	1.08	1.01
4CXCBO31AC3+TUD1B100A9H3	NOMINAL	1000	1.02	1.04	1.00
	LOW	875	1.00	1.01	0.99
	HIGH	1125	1.04	1.07	1.01
4CXCBO31AC3+TUD1C080A9H4	NOMINAL	1000	1.03	1.05	1.01
	LOW	875	1.01	1.02	1.00
	HIGH	1125	1.05	1.08	1.02
4CXCBO31AC3+TUX1B060A9H3	NOMINAL	1000	1.02	1.04	1.00
	LOW	875	1.00	1.01	0.99
	HIGH	1125	1.04	1.07	1.01
4CXCBO31AC3+TUY060R9V3	NOMINAL	1000	1.02	1.03	0.98
	LOW	875	1.00	1.00	0.97
	HIGH	1125	1.04	1.06	0.99
4CXCBO31AC3+TUY080R9V3	NOMINAL	1000	1.02	1.03	0.98
	LOW	875	1.00	1.00	0.97
	HIGH	1125	1.04	1.06	0.99
4CXCBO31AC3+TUY100R9V4	NOMINAL	1000	1.01	1.04	1.00
	LOW	875	0.99	1.01	0.99
	HIGH	1125	1.03	1.07	1.01
4CXCBO36AC3	NOMINAL	1000	1.01	1.05	1.01
	LOW	875	0.99	1.02	1.00
	HIGH	1125	1.03	1.08	1.02
4CXCBO36AC3+TDD060R9V3	NOMINAL	1000	1.03	1.07	1.01
	LOW	875	1.01	1.04	1.00
	HIGH	1125	1.05	1.11	1.02
4CXCBO36AC3+TDD080R9V3	NOMINAL	1000	1.03	1.07	1.00
	LOW	875	1.01	1.04	0.99
	HIGH	1125	1.05	1.11	1.01
4CXCBO36AC3+TDD1B060A9H3	NOMINAL	1000	1.02	1.07	1.01
	LOW	875	1.00	1.04	1.00
	HIGH	1125	1.04	1.10	1.02
4CXCBO36AC3+TDD1B080A9H3	NOMINAL	1000	1.02	1.07	1.01
	LOW	875	1.00	1.04	1.00
	HIGH	1125	1.04	1.11	1.02
4CXCBO36AC3+TDX1B060A9H3	NOMINAL	1000	1.02	1.07	1.01
	LOW	875	1.00	1.04	1.00
	HIGH	1125	1.04	1.11	1.02
4CXCBO36AC3+TDX1B080A9H3	NOMINAL	1000	1.03	1.07	1.00
	LOW	875	1.01	1.04	0.99
	HIGH	1125	1.05	1.11	1.01
4CXCBO36AC3+TDX1C100A9H4	NOMINAL	1000	1.03	1.08	1.02
	LOW	875	1.01	1.05	1.01
	HIGH	1125	1.05	1.11	1.03
4CXCBO36AC3+TDY060R9V3	NOMINAL	1000	1.03	1.07	0.99
	LOW	875	1.01	1.04	0.98
	HIGH	1125	1.05	1.11	1.00
4CXCBO36AC3+TDY080R9V3	NOMINAL	1000	1.03	1.07	0.99
	LOW	875	1.01	1.03	0.98
	HIGH	1125	1.05	1.10	1.00
4CXCBO36AC3+TDY100R9V4	NOMINAL	1000	1.02	1.07	1.00
	LOW	875	1.00	1.03	0.99
	HIGH	1125	1.04	1.10	1.01
4CXCBO36AC3+TUD060R9V3	NOMINAL	1000	1.02	1.07	1.00
	LOW	875	1.00	1.03	0.99
	HIGH	1125	1.04	1.10	1.01
4CXCBO36AC3+TUD080R9V3	NOMINAL	1000	1.03	1.07	1.00
	LOW	875	1.01	1.04	0.99
	HIGH	1125	1.05	1.11	1.01
4CXCBO36AC3+TUD080R9V4	NOMINAL	1000	1.03	1.08	1.01
	LOW	875	1.01	1.05	1.00
	HIGH	1125	1.05	1.12	1.02

CORRECTION FACTORS FOR OTHER COMBINATIONS (MULTIPLY DATA BY FACTOR)

INDOOR MODEL		CFM	MBTUH TOT	MBTUH SEN	SYST KW
4CXCBO36AC3+TUD100R9V3	NOMINAL	1000	1.02	1.07	1.00
	LOW	875	1.00	1.03	0.99
	HIGH	1125	1.04	1.10	1.01
4CXCBO36AC3+TUD1B060A9H3	NOMINAL	1000	1.03	1.08	1.01
	LOW	875	1.01	1.05	1.00
	HIGH	1125	1.05	1.11	1.02
4CXCBO36AC3+TUD1B080A9H3	NOMINAL	1000	1.03	1.08	1.02
	LOW	875	1.01	1.05	1.01
	HIGH	1125	1.05	1.11	1.03
4CXCBO36AC3+TUD1B100A9H3	NOMINAL	1000	1.04	1.08	1.01
	LOW	875	1.01	1.05	1.00
	HIGH	1125	1.06	1.12	1.02
4CXCBO36AC3+TUD1C080A9H4	NOMINAL	1000	1.03	1.08	1.01
	LOW	875	1.01	1.05	1.00
	HIGH	1125	1.05	1.12	1.02
4CXCBO36AC3+TUX1B060A9H3	NOMINAL	1000	1.03	1.07	1.00
	LOW	875	1.01	1.04	0.99
	HIGH	1125	1.05	1.11	1.01
4CXCBO36AC3+TUX1B080A9H3	NOMINAL	1000	1.03	1.08	1.02
	LOW	875	1.01	1.05	1.01
	HIGH	1125	1.05	1.11	1.03
4CXCBO36AC3+TUX1C100A9H4	NOMINAL	1000	1.03	1.08	1.02
	LOW	875	1.01	1.05	1.01
	HIGH	1125	1.05	1.12	1.03
4CXCBO36AC3+TUY060R9V3	NOMINAL	1000	1.03	1.07	0.99
	LOW	875	1.01	1.04	0.98
	HIGH	1125	1.05	1.10	1.00
4CXCBO36AC3+TUY080R9V3	NOMINAL	1000	1.03	1.07	1.00
	LOW	875	1.01	1.04	0.99
	HIGH	1125	1.05	1.11	1.01
4CXCBO36AC3+TUY100R9V4	NOMINAL	1000	1.03	1.07	1.01
	LOW	875	1.01	1.04	1.00
	HIGH	1125	1.05	1.11	1.02
4CXCBO42AC3	NOMINAL	1000	0.99	1.04	0.99
	LOW	875	0.97	1.01	0.98
	HIGH	1125	1.01	1.07	1.00
4CXCBO42AC3+TDD060R9V3	NOMINAL	1000	1.01	1.07	0.98
	LOW	875	0.99	1.03	0.97
	HIGH	1125	1.03	1.10	0.99
4CXCBO42AC3+TDD080R9V3	NOMINAL	1000	1.01	1.07	0.98
	LOW	875	0.99	1.03	0.97
	HIGH	1125	1.03	1.10	0.99
4CXCBO42AC3+TDD1B060A9H3	NOMINAL	1000	1.00	1.06	0.99
	LOW	875	0.98	1.03	0.98
	HIGH	1125	1.02	1.09	1.00
4CXCBO42AC3+TDD1B080A9H3	NOMINAL	1000	1.00	1.06	0.99
	LOW	875	0.98	1.03	0.98
	HIGH	1125	1.02	1.09	1.00
4CXCBO42AC3+TDX1B060A9H3	NOMINAL	1000	1.00	1.06	0.99
	LOW	875	0.98	1.03	0.98
	HIGH	1125	1.02	1.09	1.00
4CXCBO42AC3+TDX1B080A9H3	NOMINAL	1000	1.00	1.06	0.98
	LOW	875	0.98	1.03	0.97
	HIGH	1125	1.02	1.09	0.99
4CXCBO42AC3+TDX1C100A9H4	NOMINAL	1000	1.01	1.07	1.00
	LOW	875	0.99	1.04	0.99
	HIGH	1125	1.03	1.10	1.01
4CXCBO42AC3+TDY060R9V3	NOMINAL	1000	1.01	1.06	0.97
	LOW	875	0.99	1.03	0.96
	HIGH	1125	1.03	1.09	0.98
4CXCBO42AC3+TDY080R9V3	NOMINAL	1000	1.00	1.06	0.97
	LOW	875	0.98	1.02	0.96
	HIGH	1125	1.02	1.09	0.98



# Performance Data Cooling

## 4TTB3030A1

**CORRECTION FACTORS FOR OTHER COMBINATIONS (MULTIPLY DATA BY FACTOR)**

INDOOR MODEL		CFM	MBTUH TOT	MBTUH SEN	SYST KW
4CXCB042AC3+TDY100R9V4	NOMINAL	1000	1.00	1.06	0.99
	LOW	875	0.98	1.03	0.98
	HIGH	1125	1.02	1.09	1.00
4CXCB042AC3+TUD060R9V3	NOMINAL	1000	1.00	1.06	0.98
	LOW	875	0.98	1.02	0.97
	HIGH	1125	1.02	1.09	0.99
4CXCB042AC3+TUD080R9V3	NOMINAL	1000	1.01	1.07	0.98
	LOW	875	0.99	1.03	0.97
	HIGH	1125	1.03	1.10	0.99
4CXCB042AC3+TUD080R9V4	NOMINAL	1000	1.01	1.07	0.99
	LOW	875	0.99	1.04	0.98
	HIGH	1125	1.03	1.11	1.00
4CXCB042AC3+TUD100R9V3	NOMINAL	1000	1.00	1.06	0.98
	LOW	875	0.98	1.02	0.97
	HIGH	1125	1.02	1.09	0.99
4CXCB042AC3+TUD1B060A9H3	NOMINAL	1000	1.00	1.07	0.99
	LOW	875	0.98	1.03	0.98
	HIGH	1125	1.02	1.10	1.00
4CXCB042AC3+TUD1B080A9H3	NOMINAL	1000	1.01	1.07	1.00
	LOW	875	0.99	1.04	0.99
	HIGH	1125	1.03	1.10	1.01
4CXCB042AC3+TUD1B100A9H3	NOMINAL	1000	1.00	1.07	1.00
	LOW	875	0.98	1.03	0.99
	HIGH	1125	1.02	1.10	1.01
4CXCB042AC3+TUD1C080A9H4	NOMINAL	1000	1.01	1.07	0.99
	LOW	875	0.99	1.04	0.98
	HIGH	1125	1.03	1.11	1.00
4CXCB042AC3+TUX1B060A9H3	NOMINAL	1000	1.00	1.06	0.99
	LOW	875	0.98	1.03	0.98
	HIGH	1125	1.02	1.09	1.00
4CXCB042AC3+TUX1B080A9H3	NOMINAL	1000	1.01	1.07	1.00
	LOW	875	0.99	1.04	0.99
	HIGH	1125	1.03	1.10	1.01
4CXCB042AC3+TUX1C100A9H4	NOMINAL	1000	1.01	1.07	1.00
	LOW	875	0.99	1.04	0.99
	HIGH	1125	1.03	1.10	1.01
4CXCB042AC3+TUY060R9V3	NOMINAL	1000	1.01	1.06	0.97
	LOW	875	0.99	1.02	0.96
	HIGH	1125	1.03	1.09	0.98
4CXCB042AC3+TUY080R9V3	NOMINAL	1000	1.01	1.07	0.97
	LOW	875	0.99	1.03	0.96
	HIGH	1125	1.03	1.10	0.98
4CXCB042AC3+TUY100R9V4	NOMINAL	1000	1.00	1.06	0.99
	LOW	875	0.98	1.03	0.98
	HIGH	1125	1.02	1.09	1.00
4CXCC037AC3	NOMINAL	1000	1.01	1.05	1.01
	LOW	875	0.99	1.02	1.00
	HIGH	1125	1.03	1.08	1.02
4CXCC037AC3+TDD060R9V3	NOMINAL	1000	1.03	1.07	1.00
	LOW	875	1.01	1.04	0.99
	HIGH	1125	1.05	1.11	1.01
4CXCC037AC3+TDD080R9V3	NOMINAL	1000	1.03	1.07	1.00
	LOW	875	1.01	1.04	0.99
	HIGH	1125	1.05	1.11	1.01
4CXCC037AC3+TDD1B060A9H3	NOMINAL	1000	1.03	1.07	1.00
	LOW	875	1.01	1.04	0.99
	HIGH	1125	1.05	1.11	1.01
4CXCC037AC3+TDD1B080A9H3	NOMINAL	1000	1.04	1.08	1.01
	LOW	875	1.01	1.05	1.00
	HIGH	1125	1.06	1.11	1.02
4CXCC037AC3+TDX1B060A9H3	NOMINAL	1000	1.03	1.08	1.02
	LOW	875	1.01	1.05	1.01
	HIGH	1125	1.05	1.11	1.03

**CORRECTION FACTORS FOR OTHER COMBINATIONS (MULTIPLY DATA BY FACTOR)**

INDOOR MODEL		CFM	MBTUH TOT	MBTUH SEN	SYST KW
4CXCC037AC3+TDX1B080A9H3	NOMINAL	1000	1.03	1.08	1.01
	LOW	875	1.01	1.05	1.00
	HIGH	1125	1.05	1.11	1.02
4CXCC037AC3+TDX1C100A9H4	NOMINAL	1000	1.03	1.08	1.02
	LOW	875	1.01	1.05	1.01
	HIGH	1125	1.05	1.12	1.03
4CXCC037AC3+TDY060R9V3	NOMINAL	1000	1.03	1.07	0.99
	LOW	875	1.01	1.04	0.98
	HIGH	1125	1.05	1.10	1.00
4CXCC037AC3+TDY080R9V3	NOMINAL	1000	1.03	1.07	0.99
	LOW	875	1.01	1.04	0.98
	HIGH	1125	1.05	1.10	1.00
4CXCC037AC3+TDY100R9V4	NOMINAL	1000	1.03	1.07	1.01
	LOW	875	1.01	1.04	1.00
	HIGH	1125	1.05	1.11	1.02
4CXCC037AC3+TUD060R9V3	NOMINAL	1000	1.02	1.07	1.00
	LOW	875	1.00	1.04	0.99
	HIGH	1125	1.04	1.10	1.01
4CXCC037AC3+TUD080R9V3	NOMINAL	1000	1.03	1.07	1.00
	LOW	875	1.01	1.04	0.99
	HIGH	1125	1.05	1.11	1.01
4CXCC037AC3+TUD080R9V4	NOMINAL	1000	1.03	1.08	1.01
	LOW	875	1.01	1.05	1.00
	HIGH	1125	1.05	1.11	1.02
4CXCC037AC3+TUD100R9V3	NOMINAL	1000	1.02	1.07	1.00
	LOW	875	1.00	1.04	0.99
	HIGH	1125	1.04	1.10	1.01
4CXCC037AC3+TUD1B060A9H3	NOMINAL	1000	1.04	1.08	1.02
	LOW	875	1.01	1.05	1.01
	HIGH	1125	1.06	1.12	1.03
4CXCC037AC3+TUD1B080A9H3	NOMINAL	1000	1.04	1.08	1.01
	LOW	875	1.01	1.05	1.00
	HIGH	1125	1.06	1.12	1.02
4CXCC037AC3+TUD1B100A9H3	NOMINAL	1000	1.03	1.08	1.01
	LOW	875	1.01	1.05	1.00
	HIGH	1125	1.05	1.11	1.02
4CXCC037AC3+TUD1C080A9H4	NOMINAL	1000	1.04	1.09	1.02
	LOW	875	1.02	1.06	1.01
	HIGH	1125	1.06	1.12	1.03
4CXCC037AC3+TUX1B060A9H3	NOMINAL	1000	1.03	1.08	1.01
	LOW	875	1.01	1.05	1.00
	HIGH	1125	1.05	1.11	1.02
4CXCC037AC3+TUX1B080A9H3	NOMINAL	1000	1.03	1.07	1.01
	LOW	875	1.01	1.04	1.00
	HIGH	1125	1.05	1.11	1.02
4CXCC037AC3+TUX1C100A9H4	NOMINAL	1000	1.03	1.08	1.01
	LOW	875	1.01	1.05	1.00
	HIGH	1125	1.05	1.11	1.02
4CXCC037AC3+TUY060R9V3	NOMINAL	1000	1.03	1.07	0.99
	LOW	875	1.01	1.04	0.98
	HIGH	1125	1.05	1.10	1.00
4CXCC037AC3+TUY080R9V3	NOMINAL	1000	1.03	1.07	1.00
	LOW	875	1.01	1.04	0.99
	HIGH	1125	1.05	1.11	1.01
4CXCC037AC3+TUY100R9V4	NOMINAL	1000	1.03	1.07	1.01
	LOW	875	1.01	1.04	1.00
	HIGH	1125	1.05	1.11	1.02
4CXCC037AC3+TUY060R9V3	NOMINAL	1000	1.03	1.07	0.99
	LOW	875	1.01	1.04	0.98
	HIGH	1125	1.05	1.10	1.00
4CXCC037AC3+TUY080R9V3	NOMINAL	1000	1.03	1.07	1.00
	LOW	875	1.01	1.04	0.99
	HIGH	1125	1.05	1.11	1.01
4CXCC037AC3+TUY100R9V4	NOMINAL	1000	1.03	1.07	1.01
	LOW	875	1.01	1.04	1.00
	HIGH	1125	1.05	1.11	1.02
4TEC3F36A1	NOMINAL	1000	1.00	1.02	0.98
	LOW	875	0.98	0.99	0.97
	HIGH	1125	1.02	1.05	0.99
4TEE3F31A1	NOMINAL	1000	1.02	1.02	1.00
	LOW	875	1.00	0.99	0.99
	HIGH	1125	1.04	1.05	1.01
4TEE3F37A1	NOMINAL	1000	1.03	1.06	1.01
	LOW	875	1.01	1.02	1.00
	HIGH	1125	1.05	1.09	1.02



# Performance Data Cooling

## 4TTB3030A1

CORRECTION FACTORS FOR OTHER COMBINATIONS (MULTIPLY DATA BY FACTOR)

INDOOR MODEL		CFM	MBTUH TOT	MBTUH SEN	SYST KW
4TEE3F40A1	NOMINAL	1000	1.08	1.12	1.06
	LOW	875	1.06	1.09	1.05
	HIGH	1125	1.11	1.16	1.07
4TEP3F36A1	NOMINAL	1000	0.99	1.02	0.99
	LOW	875	0.97	0.99	0.98
	HIGH	1125	1.01	1.05	1.00
4TXCB025AS3+TDD060R9V3	NOMINAL	1000	0.94	0.97	0.92
	LOW	875	0.92	0.94	0.91
	HIGH	1125	0.96	1.00	0.93
4TXCB025AS3+TDD080R9V3	NOMINAL	1000	0.95	0.97	0.92
	LOW	875	0.93	0.94	0.91
	HIGH	1125	0.97	1.00	0.93
4TXCB025AS3+TDD1B060A9H3	NOMINAL	1000	0.95	0.96	0.92
	LOW	875	0.93	0.93	0.91
	HIGH	1125	0.97	0.99	0.93
4TXCB025AS3+TDD1B080A9H3	NOMINAL	1000	0.95	0.96	0.92
	LOW	875	0.93	0.93	0.91
	HIGH	1125	0.97	0.99	0.93
4TXCB025AS3+TDX1B060A9H3	NOMINAL	1000	0.95	0.96	0.91
	LOW	875	0.93	0.93	0.90
	HIGH	1125	0.97	0.99	0.92
4TXCB025AS3+TDX1B080A9H3	NOMINAL	1000	0.95	0.96	0.91
	LOW	875	0.93	0.93	0.90
	HIGH	1125	0.96	0.99	0.92
4TXCB025AS3+TDY060R9V3	NOMINAL	1000	0.95	0.96	0.91
	LOW	875	0.93	0.93	0.90
	HIGH	1125	0.96	0.99	0.92
4TXCB025AS3+TDY080R9V3	NOMINAL	1000	0.94	0.95	0.93
	LOW	875	0.92	0.92	0.92
	HIGH	1125	0.96	0.98	0.94
4TXCB025AS3+TUD080R9V3	NOMINAL	1000	0.94	0.96	0.92
	LOW	875	0.92	0.93	0.91
	HIGH	1125	0.96	0.99	0.93
4TXCB025AS3+TUD1B060A9H3	NOMINAL	1000	0.95	0.97	0.92
	LOW	875	0.93	0.94	0.91
	HIGH	1125	0.97	1.00	0.93
4TXCB025AS3+TUD1B080A9H3	NOMINAL	1000	0.95	0.97	0.92
	LOW	875	0.93	0.94	0.91
	HIGH	1125	0.97	1.00	0.93
4TXCB025AS3+TUD1B100A9H3	NOMINAL	1000	0.95	0.97	0.92
	LOW	875	0.93	0.94	0.91
	HIGH	1125	0.97	1.00	0.93
4TXCB025AS3+TUX1B060A9H3	NOMINAL	1000	0.95	0.97	0.92
	LOW	875	0.93	0.94	0.91
	HIGH	1125	0.97	1.00	0.93
4TXCB025AS3+TUY060R9V3	NOMINAL	1000	0.94	0.96	0.91
	LOW	875	0.92	0.93	0.90
	HIGH	1125	0.96	0.99	0.92
4TXCB025AS3+TUY080R9V3	NOMINAL	1000	0.95	0.96	0.91
	LOW	875	0.93	0.93	0.90
	HIGH	1125	0.97	0.99	0.92
4TXCB031AC3+TDD060R9V3	NOMINAL	1000	1.01	1.03	0.99
	LOW	875	0.99	1.00	0.98
	HIGH	1125	1.03	1.06	1.00
4TXCB031AC3+TDD080R9V3	NOMINAL	1000	1.02	1.03	0.99
	LOW	875	1.00	1.00	0.98
	HIGH	1125	1.04	1.06	1.00
4TXCB031AC3+TDD1B060A9H3	NOMINAL	1000	1.02	1.04	0.99
	LOW	875	1.00	1.01	0.98
	HIGH	1125	1.04	1.07	1.00
4TXCB031AC3+TDD1B080A9H3	NOMINAL	1000	1.02	1.04	0.99
	LOW	875	1.00	1.01	0.98
	HIGH	1125	1.04	1.07	1.00

CORRECTION FACTORS FOR OTHER COMBINATIONS (MULTIPLY DATA BY FACTOR)

INDOOR MODEL		CFM	MBTUH TOT	MBTUH SEN	SYST KW
4TXCB031AC3+TDX1B060A9H3	NOMINAL	1000	1.02	1.03	0.99
	LOW	875	1.00	1.00	0.98
	HIGH	1125	1.04	1.06	1.00
4TXCB031AC3+TDX1B080A9H3	NOMINAL	1000	1.02	1.03	0.99
	LOW	875	1.00	1.00	0.98
	HIGH	1125	1.04	1.06	1.00
4TXCB031AC3+TDY060R9V3	NOMINAL	1000	1.02	1.03	0.98
	LOW	875	1.00	1.00	0.97
	HIGH	1125	1.04	1.06	0.99
4TXCB031AC3+TDY080R9V3	NOMINAL	1000	1.01	1.02	0.98
	LOW	875	0.99	0.99	0.97
	HIGH	1125	1.03	1.05	0.99
4TXCB031AC3+TDY100R9V4	NOMINAL	1000	1.01	1.03	1.00
	LOW	875	0.99	1.00	0.99
	HIGH	1125	1.03	1.06	1.01
4TXCB031AC3+TUD060R9V3	NOMINAL	1000	1.01	1.03	0.99
	LOW	875	0.99	1.00	0.98
	HIGH	1125	1.03	1.06	1.00
4TXCB031AC3+TUD080R9V3	NOMINAL	1000	1.01	1.03	0.99
	LOW	875	0.99	1.00	0.98
	HIGH	1125	1.03	1.06	1.00
4TXCB031AC3+TUD080R9V4	NOMINAL	1000	1.02	1.04	1.00
	LOW	875	1.00	1.01	0.99
	HIGH	1125	1.04	1.07	1.01
4TXCB031AC3+TUD100R9V3	NOMINAL	1000	1.01	1.03	0.99
	LOW	875	0.99	1.00	0.98
	HIGH	1125	1.03	1.06	1.00
4TXCB031AC3+TUD1B060A9H3	NOMINAL	1000	1.02	1.04	1.00
	LOW	875	1.00	1.01	0.99
	HIGH	1125	1.04	1.07	1.01
4TXCB031AC3+TUD1B080A9H3	NOMINAL	1000	1.03	1.05	1.00
	LOW	875	1.01	1.02	1.00
	HIGH	1125	1.05	1.08	1.02
4TXCB031AC3+TUD1B100A9H3	NOMINAL	1000	1.02	1.04	1.00
	LOW	875	1.00	1.01	0.99
	HIGH	1125	1.04	1.07	1.01
4TXCB031AC3+TUD1C080A9H4	NOMINAL	1000	1.03	1.05	1.01
	LOW	875	1.01	1.02	1.00
	HIGH	1125	1.05	1.08	1.02
4TXCB031AC3+TUX1B060A9H3	NOMINAL	1000	1.02	1.04	1.00
	LOW	875	1.00	1.01	0.99
	HIGH	1125	1.04	1.07	1.01
4TXCB031AC3+TUY060R9V3	NOMINAL	1000	1.02	1.03	0.98
	LOW	875	1.00	1.00	0.97
	HIGH	1125	1.04	1.06	0.99
4TXCB031AC3+TUY080R9V3	NOMINAL	1000	1.02	1.03	0.98
	LOW	875	1.00	1.00	0.97
	HIGH	1125	1.04	1.06	0.99
4TXCB031AC3+TUY100R9V4	NOMINAL	1000	1.01	1.04	1.00
	LOW	875	0.99	1.01	0.99
	HIGH	1125	1.03	1.07	1.01
4TXCB031AS3	NOMINAL	1000	1.01	1.04	1.00
	LOW	875	0.99	1.01	0.99
	HIGH	1125	1.03	1.07	1.01
4TXCB031AS3+TDD060R9V3	NOMINAL	1000	1.03	1.06	1.01
	LOW	875	1.01	1.03	1.00
	HIGH	1125	1.05	1.09	1.02
4TXCB031AS3+TDD080R9V3	NOMINAL	1000	1.03	1.06	1.00
	LOW	875	1.01	1.03	0.99
	HIGH	1125	1.05	1.09	1.01
4TXCB031AS3+TDD1B060A9H3	NOMINAL	1000	1.03	1.06	1.00
	LOW	875	1.01	1.03	0.99
	HIGH	1125	1.05	1.09	1.01



# Performance Data Cooling

## 4TTB3030A1

**CORRECTION FACTORS FOR OTHER COMBINATIONS (MULTIPLY DATA BY FACTOR)**

INDOOR MODEL		CFM	MBTUH TOT	MBTUH SEN	SYST KW
4TXCB031AS3+TDD1B080A9H3	NOMINAL	1000	1.03	1.07	1.00
	LOW	875	1.01	1.03	0.99
	HIGH	1125	1.05	1.10	1.01
4TXCB031AS3+TDX1B060A9H3	NOMINAL	1000	1.03	1.06	0.99
	LOW	875	1.01	1.03	0.98
	HIGH	1125	1.05	1.09	1.00
4TXCB031AS3+TDX1B080A9H3	NOMINAL	1000	1.03	1.07	1.00
	LOW	875	1.01	1.03	0.99
	HIGH	1125	1.05	1.10	1.01
4TXCB031AS3+TDY060R9V3	NOMINAL	1000	1.03	1.06	1.00
	LOW	875	1.01	1.03	0.99
	HIGH	1125	1.05	1.09	1.01
4TXCB031AS3+TDY080R9V3	NOMINAL	1000	1.03	1.06	0.99
	LOW	875	1.01	1.02	0.98
	HIGH	1125	1.05	1.09	1.00
4TXCB031AS3+TUD060R9V3	NOMINAL	1000	1.02	1.06	1.00
	LOW	875	1.00	1.02	0.99
	HIGH	1125	1.04	1.09	1.01
4TXCB031AS3+TUD080R9V3	NOMINAL	1000	1.03	1.06	1.01
	LOW	875	1.01	1.03	1.00
	HIGH	1125	1.05	1.09	1.02
4TXCB031AS3+TUD100R9V3	NOMINAL	1000	1.02	1.06	1.00
	LOW	875	1.00	1.02	0.99
	HIGH	1125	1.04	1.09	1.01
4TXCB031AS3+TUD1B060A9H3	NOMINAL	1000	1.04	1.07	1.01
	LOW	875	1.01	1.04	1.00
	HIGH	1125	1.06	1.10	1.02
4TXCB031AS3+TUD1B080A9H3	NOMINAL	1000	1.04	1.07	1.00
	LOW	875	1.01	1.04	0.99
	HIGH	1125	1.06	1.10	1.01
4TXCB031AS3+TUD1B100A9H3	NOMINAL	1000	1.03	1.07	1.00
	LOW	875	1.01	1.03	0.99
	HIGH	1125	1.05	1.10	1.01
4TXCB031AS3+TUX1B060A9H3	NOMINAL	1000	1.03	1.06	1.00
	LOW	875	1.01	1.03	0.99
	HIGH	1125	1.05	1.09	1.01
4TXCB031AS3+TUY060R9V3	NOMINAL	1000	1.03	1.06	0.99
	LOW	875	1.01	1.03	0.98
	HIGH	1125	1.05	1.09	1.00
4TXCB031AS3+TUY080R9V3	NOMINAL	1000	1.03	1.06	1.00
	LOW	875	1.01	1.03	0.99
	HIGH	1125	1.05	1.09	1.01
4TXCB036AC3	NOMINAL	1000	1.01	1.05	1.01
	LOW	875	0.99	1.02	1.00
	HIGH	1125	1.03	1.08	1.02
4TXCB036AC3+TDD060R9V3	NOMINAL	1000	1.03	1.07	1.01
	LOW	875	1.01	1.04	1.00
	HIGH	1125	1.05	1.11	1.02
4TXCB036AC3+TDD080R9V3	NOMINAL	1000	1.03	1.07	1.00
	LOW	875	1.01	1.04	0.99
	HIGH	1125	1.05	1.11	1.01
4TXCB036AC3+TDD1B060A9H3	NOMINAL	1000	1.02	1.07	1.01
	LOW	875	1.00	1.04	1.00
	HIGH	1125	1.04	1.10	1.02
4TXCB036AC3+TDD1B080A9H3	NOMINAL	1000	1.02	1.07	1.01
	LOW	875	1.00	1.04	1.00
	HIGH	1125	1.04	1.11	1.02
4TXCB036AC3+TDX1B060A9H3	NOMINAL	1000	1.02	1.07	1.01
	LOW	875	1.00	1.04	1.00
	HIGH	1125	1.04	1.11	1.02
4TXCB036AC3+TDX1B080A9H3	NOMINAL	1000	1.03	1.07	1.00
	LOW	875	1.01	1.04	0.99
	HIGH	1125	1.05	1.11	1.01

**CORRECTION FACTORS FOR OTHER COMBINATIONS (MULTIPLY DATA BY FACTOR)**

INDOOR MODEL		CFM	MBTUH TOT	MBTUH SEN	SYST KW
4TXCB036AC3+TDX1C100A9H4	NOMINAL	1000	1.03	1.08	1.02
	LOW	875	1.01	1.05	1.01
	HIGH	1125	1.05	1.11	1.03
4TXCB036AC3+TDY060R9V3	NOMINAL	1000	1.03	1.07	0.99
	LOW	875	1.01	1.04	0.98
	HIGH	1125	1.05	1.11	1.00
4TXCB036AC3+TDY080R9V3	NOMINAL	1000	1.03	1.07	0.99
	LOW	875	1.01	1.03	0.98
	HIGH	1125	1.05	1.10	1.00
4TXCB036AC3+TDY100R9V4	NOMINAL	1000	1.02	1.07	1.00
	LOW	875	1.00	1.03	0.99
	HIGH	1125	1.04	1.10	1.01
4TXCB036AC3+TUD060R9V3	NOMINAL	1000	1.02	1.07	1.00
	LOW	875	1.00	1.03	0.99
	HIGH	1125	1.04	1.10	1.01
4TXCB036AC3+TUD080R9V3	NOMINAL	1000	1.03	1.07	1.00
	LOW	875	1.01	1.04	0.99
	HIGH	1125	1.05	1.11	1.01
4TXCB036AC3+TUD080R9V4	NOMINAL	1000	1.03	1.08	1.01
	LOW	875	1.01	1.05	1.00
	HIGH	1125	1.05	1.12	1.02
4TXCB036AC3+TUD100R9V3	NOMINAL	1000	1.02	1.07	1.00
	LOW	875	1.00	1.03	0.99
	HIGH	1125	1.04	1.10	1.01
4TXCB036AC3+TUD1B060A9H3	NOMINAL	1000	1.03	1.08	1.01
	LOW	875	1.01	1.05	1.00
	HIGH	1125	1.05	1.11	1.02
4TXCB036AC3+TUD1B080A9H3	NOMINAL	1000	1.03	1.08	1.02
	LOW	875	1.01	1.05	1.01
	HIGH	1125	1.05	1.11	1.03
4TXCB036AC3+TUD1B100A9H3	NOMINAL	1000	1.04	1.08	1.01
	LOW	875	1.01	1.05	1.00
	HIGH	1125	1.06	1.12	1.02
4TXCB036AC3+TUD1C080A9H4	NOMINAL	1000	1.03	1.08	1.01
	LOW	875	1.01	1.05	1.00
	HIGH	1125	1.05	1.12	1.02
4TXCB036AC3+TUX1B060A9H3	NOMINAL	1000	1.03	1.07	1.00
	LOW	875	1.01	1.04	0.99
	HIGH	1125	1.05	1.11	1.01
4TXCB036AC3+TUX1B080A9H3	NOMINAL	1000	1.03	1.08	1.02
	LOW	875	1.01	1.05	1.01
	HIGH	1125	1.05	1.11	1.03
4TXCB036AC3+TUX1C100A9H4	NOMINAL	1000	1.03	1.08	1.02
	LOW	875	1.01	1.05	1.01
	HIGH	1125	1.05	1.12	1.03
4TXCB036AC3+TUY060R9V3	NOMINAL	1000	1.03	1.07	0.99
	LOW	875	1.01	1.04	0.98
	HIGH	1125	1.05	1.10	1.00
4TXCB036AC3+TUY080R9V3	NOMINAL	1000	1.03	1.07	1.00
	LOW	875	1.01	1.04	0.99
	HIGH	1125	1.05	1.11	1.01
4TXCB036AC3+TUY100R9V4	NOMINAL	1000	1.03	1.07	1.01
	LOW	875	1.01	1.04	1.00
	HIGH	1125	1.05	1.11	1.02
4TXCB036AS3	NOMINAL	1000	1.03	1.07	1.02
	LOW	875	1.01	1.04	1.01
	HIGH	1125	1.05	1.11	1.03
4TXCB036AS3+TDD060R9V3	NOMINAL	1000	1.04	1.10	1.02
	LOW	875	1.02	1.07	1.01
	HIGH	1125	1.06	1.13	1.03
4TXCB036AS3+TDD080R9V3	NOMINAL	1000	1.04	1.10	1.02
	LOW	875	1.02	1.07	1.01
	HIGH	1125	1.06	1.13	1.03



# Performance Data Cooling

## 4TTB3030A1

CORRECTION FACTORS FOR OTHER COMBINATIONS (MULTIPLY DATA BY FACTOR)

INDOOR MODEL		CFM	MBTUH TOT	MBTUH SEN	SYST KW
4TXCB036AS3+TDD1B060A9H3	NOMINAL	1000	1.04	1.10	1.03
	LOW	875	1.02	1.07	1.02
	HIGH	1125	1.06	1.13	1.04
4TXCB036AS3+TDD1B080A9H3	NOMINAL	1000	1.04	1.10	1.03
	LOW	875	1.02	1.07	1.02
	HIGH	1125	1.06	1.13	1.04
4TXCB036AS3+TDX1B060A9H3	NOMINAL	1000	1.04	1.09	1.02
	LOW	875	1.01	1.06	1.01
	HIGH	1125	1.06	1.13	1.03
4TXCB036AS3+TDX1B080A9H3	NOMINAL	1000	1.04	1.09	1.02
	LOW	875	1.02	1.06	1.01
	HIGH	1125	1.06	1.13	1.03
4TXCB036AS3+TDY060R9V3	NOMINAL	1000	1.04	1.10	1.01
	LOW	875	1.02	1.07	1.00
	HIGH	1125	1.06	1.13	1.02
4TXCB036AS3+TDY080R9V3	NOMINAL	1000	1.04	1.09	1.00
	LOW	875	1.02	1.06	0.99
	HIGH	1125	1.06	1.13	1.01
4TXCB036AS3+TUD060R9V3	NOMINAL	1000	1.04	1.09	1.02
	LOW	875	1.01	1.06	1.01
	HIGH	1125	1.06	1.12	1.03
4TXCB036AS3+TUD080R9V3	NOMINAL	1000	1.04	1.09	1.02
	LOW	875	1.02	1.06	1.01
	HIGH	1125	1.06	1.13	1.03
4TXCB036AS3+TUD100R9V3	NOMINAL	1000	1.04	1.09	1.02
	LOW	875	1.01	1.06	1.01
	HIGH	1125	1.06	1.12	1.03
4TXCB036AS3+TUD1B060A9H3	NOMINAL	1000	1.05	1.10	1.02
	LOW	875	1.02	1.07	1.01
	HIGH	1125	1.07	1.14	1.03
4TXCB036AS3+TUD1B080A9H3	NOMINAL	1000	1.05	1.11	1.04
	LOW	875	1.02	1.07	1.03
	HIGH	1125	1.07	1.14	1.05
4TXCB036AS3+TUD1B100A9H3	NOMINAL	1000	1.05	1.11	1.02
	LOW	875	1.03	1.07	1.01
	HIGH	1125	1.07	1.14	1.03
4TXCB036AS3+TUX1B060A9H3	NOMINAL	1000	1.05	1.10	1.02
	LOW	875	1.02	1.07	1.01
	HIGH	1125	1.07	1.14	1.03
4TXCB036AS3+TUX1B080A9H3	NOMINAL	1000	1.04	1.10	1.03
	LOW	875	1.02	1.07	1.02
	HIGH	1125	1.06	1.13	1.04
4TXCB036AS3+TUY060R9V3	NOMINAL	1000	1.04	1.09	1.01
	LOW	875	1.02	1.06	1.00
	HIGH	1125	1.06	1.13	1.02
4TXCB036AS3+TUY080R9V3	NOMINAL	1000	1.05	1.10	1.01
	LOW	875	1.02	1.07	1.00
	HIGH	1125	1.07	1.13	1.02
4TXCB042AC3	NOMINAL	1000	0.99	1.04	0.99
	LOW	875	0.97	1.01	0.98
	HIGH	1125	1.01	1.07	1.00
4TXCB042AC3+TDD060R9V3	NOMINAL	1000	1.01	1.07	0.98
	LOW	875	0.99	1.03	0.97
	HIGH	1125	1.03	1.10	0.99
4TXCB042AC3+TDD080R9V3	NOMINAL	1000	1.01	1.07	0.98
	LOW	875	0.99	1.03	0.97
	HIGH	1125	1.03	1.10	0.99
4TXCB042AC3+TDD1B060A9H3	NOMINAL	1000	1.00	1.06	0.99
	LOW	875	0.98	1.03	0.98
	HIGH	1125	1.02	1.09	1.00
4TXCB042AC3+TDD1B080A9H3	NOMINAL	1000	1.00	1.06	0.99
	LOW	875	0.98	1.03	0.98
	HIGH	1125	1.02	1.09	1.00

CORRECTION FACTORS FOR OTHER COMBINATIONS (MULTIPLY DATA BY FACTOR)

INDOOR MODEL		CFM	MBTUH TOT	MBTUH SEN	SYST KW
4TXCB042AC3+TDX1B060A9H3	NOMINAL	1000	1.00	1.06	0.99
	LOW	875	0.98	1.03	0.98
	HIGH	1125	1.02	1.09	1.00
4TXCB042AC3+TDX1B080A9H3	NOMINAL	1000	1.00	1.06	0.98
	LOW	875	0.98	1.03	0.97
	HIGH	1125	1.02	1.09	0.99
4TXCB042AC3+TDX1C100A9H4	NOMINAL	1000	1.01	1.07	1.00
	LOW	875	0.99	1.04	0.99
	HIGH	1125	1.03	1.10	1.01
4TXCB042AC3+TDY060R9V3	NOMINAL	1000	1.01	1.06	0.97
	LOW	875	0.99	1.03	0.96
	HIGH	1125	1.03	1.09	0.98
4TXCB042AC3+TDY080R9V3	NOMINAL	1000	1.00	1.06	0.97
	LOW	875	0.98	1.02	0.96
	HIGH	1125	1.02	1.09	0.98
4TXCB042AC3+TDY100R9V4	NOMINAL	1000	1.00	1.06	0.99
	LOW	875	0.98	1.03	0.98
	HIGH	1125	1.02	1.09	1.00
4TXCB042AC3+TUD060R9V3	NOMINAL	1000	1.00	1.06	0.98
	LOW	875	0.98	1.02	0.97
	HIGH	1125	1.02	1.09	0.99
4TXCB042AC3+TUD080R9V3	NOMINAL	1000	1.01	1.07	0.98
	LOW	875	0.99	1.03	0.97
	HIGH	1125	1.03	1.10	0.99
4TXCB042AC3+TUD080R9V4	NOMINAL	1000	1.01	1.07	0.99
	LOW	875	0.99	1.04	0.98
	HIGH	1125	1.03	1.11	1.00
4TXCB042AC3+TUD100R9V3	NOMINAL	1000	1.00	1.06	0.98
	LOW	875	0.98	1.02	0.97
	HIGH	1125	1.02	1.09	0.99
4TXCB042AC3+TUD1B060A9H3	NOMINAL	1000	1.00	1.07	0.99
	LOW	875	0.98	1.03	0.98
	HIGH	1125	1.02	1.10	1.00
4TXCB042AC3+TUD1B080A9H3	NOMINAL	1000	1.01	1.07	1.00
	LOW	875	0.99	1.04	0.99
	HIGH	1125	1.03	1.10	1.01
4TXCB042AC3+TUD1B100A9H3	NOMINAL	1000	1.00	1.07	1.00
	LOW	875	0.98	1.03	0.99
	HIGH	1125	1.02	1.10	1.01
4TXCB042AC3+TUD1C080A9H4	NOMINAL	1000	1.01	1.07	0.99
	LOW	875	0.99	1.04	0.98
	HIGH	1125	1.03	1.11	1.00
4TXCB042AC3+TUX1B060A9H3	NOMINAL	1000	1.00	1.06	0.99
	LOW	875	0.98	1.03	0.98
	HIGH	1125	1.02	1.09	1.00
4TXCB042AC3+TUX1B080A9H3	NOMINAL	1000	1.01	1.07	1.00
	LOW	875	0.99	1.04	0.99
	HIGH	1125	1.03	1.10	1.01
4TXCB042AC3+TUX1C100A9H4	NOMINAL	1000	1.01	1.07	1.00
	LOW	875	0.99	1.04	0.99
	HIGH	1125	1.03	1.10	1.01
4TXCB042AC3+TUY060R9V3	NOMINAL	1000	1.01	1.06	0.97
	LOW	875	0.99	1.02	0.96
	HIGH	1125	1.03	1.09	0.98
4TXCB042AC3+TUY080R9V3	NOMINAL	1000	1.01	1.07	0.97
	LOW	875	0.99	1.03	0.96
	HIGH	1125	1.03	1.10	0.98
4TXCB042AC3+TUY100R9V4	NOMINAL	1000	1.00	1.06	0.99
	LOW	875	0.98	1.03	0.98
	HIGH	1125	1.02	1.09	1.00
4TXCC037AC3	NOMINAL	1000	1.01	1.05	1.01
	LOW	875	0.99	1.02	1.00
	HIGH	1125	1.03	1.08	1.02



# Performance Data Cooling

## 4TTB3030A1

CORRECTION FACTORS FOR OTHER COMBINATIONS (MULTIPLY DATA BY FACTOR)

INDOOR MODEL		CFM	MBTUH TOT	MBTUH SEN	SYST KW
4TXCC037AC3+TDD060R9V3	NOMINAL	1000	1.03	1.07	1.00
	LOW	875	1.01	1.04	0.99
	HIGH	1125	1.05	1.11	1.01
4TXCC037AC3+TDD080R9V3	NOMINAL	1000	1.03	1.07	1.00
	LOW	875	1.01	1.04	0.99
	HIGH	1125	1.05	1.11	1.01
4TXCC037AC3+TDD1B060A9H3	NOMINAL	1000	1.03	1.07	1.00
	LOW	875	1.01	1.04	0.99
	HIGH	1125	1.05	1.11	1.01
4TXCC037AC3+TDD1B080A9H3	NOMINAL	1000	1.04	1.08	1.01
	LOW	875	1.01	1.05	1.00
	HIGH	1125	1.06	1.11	1.02
4TXCC037AC3+TDX1B060A9H3	NOMINAL	1000	1.03	1.08	1.02
	LOW	875	1.01	1.05	1.01
	HIGH	1125	1.05	1.11	1.03
4TXCC037AC3+TDX1B080A9H3	NOMINAL	1000	1.03	1.08	1.01
	LOW	875	1.01	1.05	1.00
	HIGH	1125	1.05	1.11	1.02
4TXCC037AC3+TDX1C100A9H4	NOMINAL	1000	1.03	1.08	1.02
	LOW	875	1.01	1.05	1.01
	HIGH	1125	1.05	1.12	1.03
4TXCC037AC3+TDY060R9V3	NOMINAL	1000	1.03	1.07	0.99
	LOW	875	1.01	1.04	0.98
	HIGH	1125	1.05	1.10	1.00
4TXCC037AC3+TDY080R9V3	NOMINAL	1000	1.03	1.07	0.99
	LOW	875	1.01	1.04	0.98
	HIGH	1125	1.05	1.10	1.00
4TXCC037AC3+TDY100R9V4	NOMINAL	1000	1.03	1.07	1.01
	LOW	875	1.01	1.04	1.00
	HIGH	1125	1.05	1.11	1.02
4TXCC037AC3+TUD060R9V3	NOMINAL	1000	1.02	1.07	1.00
	LOW	875	1.00	1.04	0.99
	HIGH	1125	1.04	1.10	1.01
4TXCC037AC3+TUD080R9V3	NOMINAL	1000	1.03	1.07	1.00
	LOW	875	1.01	1.04	0.99
	HIGH	1125	1.05	1.11	1.01
4TXCC037AC3+TUD080R9V4	NOMINAL	1000	1.03	1.08	1.01
	LOW	875	1.01	1.05	1.00
	HIGH	1125	1.05	1.11	1.02
4TXCC037AC3+TUD100R9V3	NOMINAL	1000	1.02	1.07	1.00
	LOW	875	1.00	1.04	0.99
	HIGH	1125	1.04	1.10	1.01
4TXCC037AC3+TUD1B060A9H3	NOMINAL	1000	1.04	1.08	1.02
	LOW	875	1.01	1.05	1.01
	HIGH	1125	1.06	1.12	1.03
4TXCC037AC3+TUD1B080A9H3	NOMINAL	1000	1.04	1.08	1.01
	LOW	875	1.01	1.05	1.00
	HIGH	1125	1.06	1.12	1.02
4TXCC037AC3+TUD1B100A9H3	NOMINAL	1000	1.03	1.08	1.01
	LOW	875	1.01	1.05	1.00
	HIGH	1125	1.05	1.11	1.02
4TXCC037AC3+TUD1C080A9H4	NOMINAL	1000	1.04	1.09	1.02
	LOW	875	1.02	1.06	1.01
	HIGH	1125	1.06	1.12	1.03
4TXCC037AC3+TUX1B060A9H3	NOMINAL	1000	1.03	1.08	1.01
	LOW	875	1.01	1.05	1.00
	HIGH	1125	1.05	1.11	1.02
4TXCC037AC3+TUX1B080A9H3	NOMINAL	1000	1.03	1.07	1.01
	LOW	875	1.01	1.04	1.00
	HIGH	1125	1.05	1.11	1.02
4TXCC037AC3+TUY060R9V3	NOMINAL	1000	1.03	1.07	0.99
	LOW	875	1.01	1.04	0.98
	HIGH	1125	1.05	1.10	1.00

CORRECTION FACTORS FOR OTHER COMBINATIONS (MULTIPLY DATA BY FACTOR)

INDOOR MODEL		CFM	MBTUH TOT	MBTUH SEN	SYST KW
4TXCC037AC3+TUY080R9V3	NOMINAL	1000	1.03	1.07	1.00
	LOW	875	1.01	1.04	0.99
	HIGH	1125	1.05	1.11	1.01
4TXCC037AC3+TUY100R9V4	NOMINAL	1000	1.03	1.07	1.01
	LOW	875	1.01	1.04	1.00
	HIGH	1125	1.05	1.11	1.02
4TXCC037AS3	NOMINAL	1000	1.04	1.07	1.03
	LOW	875	1.01	1.04	1.02
	HIGH	1125	1.06	1.11	1.04
4TXCC037AS3+TUD080R9V4	NOMINAL	1000	1.06	1.11	1.04
	LOW	875	1.04	1.08	1.03
	HIGH	1125	1.08	1.15	1.05
4TXCC037AS3+TUD1C080A9H4	NOMINAL	1000	1.06	1.12	1.05
	LOW	875	1.04	1.08	1.03
	HIGH	1125	1.08	1.15	1.06
4TXFH033AS3	NOMINAL	1000	0.99	1.00	0.99
	LOW	875	0.97	0.97	0.98
	HIGH	1125	1.01	1.03	1.00
4TXFH033AS3+TDD060R9V3	NOMINAL	1000	1.02	1.03	0.99
	LOW	875	1.00	1.00	0.98
	HIGH	1125	1.04	1.06	1.00
4TXFH033AS3+TDD080R9V3	NOMINAL	1000	1.02	1.03	1.00
	LOW	875	1.00	1.00	0.99
	HIGH	1125	1.04	1.06	1.01
4TXFH033AS3+TDD1B060A9H3	NOMINAL	1000	1.02	1.04	1.00
	LOW	875	1.00	1.01	0.99
	HIGH	1125	1.04	1.07	1.01
4TXFH033AS3+TDD1B080A9H3	NOMINAL	1000	1.02	1.04	1.00
	LOW	875	1.00	1.01	0.99
	HIGH	1125	1.04	1.07	1.01
4TXFH033AS3+TDX1B060A9H3	NOMINAL	1000	1.02	1.03	0.99
	LOW	875	1.00	1.00	0.98
	HIGH	1125	1.04	1.06	1.00
4TXFH033AS3+TDX1B080A9H3	NOMINAL	1000	1.02	1.03	0.99
	LOW	875	1.00	1.00	0.98
	HIGH	1125	1.04	1.06	1.00
4TXFH033AS3+TDY060R9V3	NOMINAL	1000	1.02	1.03	0.98
	LOW	875	1.00	1.00	0.97
	HIGH	1125	1.04	1.06	0.99
4TXFH033AS3+TDY080R9V3	NOMINAL	1000	1.02	1.02	0.98
	LOW	875	1.00	0.99	0.97
	HIGH	1125	1.04	1.05	0.99
4TXFH033AS3+TDY100R9V4	NOMINAL	1000	1.01	1.03	1.00
	LOW	875	0.99	1.00	0.99
	HIGH	1125	1.03	1.06	1.01
4TXFH033AS3+TUD060R9V3	NOMINAL	1000	1.01	1.03	0.99
	LOW	875	0.99	1.00	0.98
	HIGH	1125	1.03	1.06	1.00
4TXFH033AS3+TUD080R9V3	NOMINAL	1000	1.02	1.04	1.00
	LOW	875	1.00	1.01	0.99
	HIGH	1125	1.04	1.07	1.01
4TXFH033AS3+TUD080R9V4	NOMINAL	1000	1.02	1.04	1.00
	LOW	875	1.00	1.01	0.99
	HIGH	1125	1.04	1.07	1.01
4TXFH033AS3+TUD100R9V3	NOMINAL	1000	1.01	1.03	0.99
	LOW	875	0.99	1.00	0.98
	HIGH	1125	1.03	1.06	1.00
4TXFH033AS3+TUD1B060A9H3	NOMINAL	1000	1.02	1.04	1.00
	LOW	875	1.00	1.01	0.99
	HIGH	1125	1.04	1.07	1.01
4TXFH033AS3+TUD1B080A9H3	NOMINAL	1000	1.02	1.04	1.00
	LOW	875	1.00	1.01	0.99
	HIGH	1125	1.04	1.07	1.01



# Performance Data Cooling

## 4TTB3030A1

CORRECTION FACTORS FOR OTHER COMBINATIONS (MULTIPLY DATA BY FACTOR)

INDOOR MODEL		CFM	MBTUH TOT	MBTUH SEN	SYST KW
4TXFH033AS3+TUD1B100A9H3	NOMINAL	1000	1.02	1.04	1.00
	LOW	875	1.00	1.01	0.99
	HIGH	1125	1.04	1.07	1.01
4TXFH033AS3+TUX1B060A9H3	NOMINAL	1000	1.02	1.04	1.00
	LOW	875	1.00	1.01	0.99
	HIGH	1125	1.04	1.07	1.01
4TXFH033AS3+TUY060R9V3	NOMINAL	1000	1.02	1.03	0.98
	LOW	875	1.00	1.00	0.97
	HIGH	1125	1.04	1.06	0.99
4TXFH033AS3+TUY080R9V3	NOMINAL	1000	1.02	1.03	0.98
	LOW	875	1.00	1.00	0.97
	HIGH	1125	1.04	1.06	0.99
4TXFH033AS3+TUY100R9V4	NOMINAL	1000	1.01	1.03	1.00
	LOW	875	0.99	1.00	0.99
	HIGH	1125	1.03	1.06	1.01
4TXFH041AS3	NOMINAL	1000	1.02	1.05	1.02
	LOW	875	1.00	1.02	1.01
	HIGH	1125	1.04	1.08	1.03
4TXFH041AS3+TDD060R9V3	NOMINAL	1000	1.04	1.08	1.02
	LOW	875	1.02	1.05	1.01
	HIGH	1125	1.06	1.11	1.03
4TXFH041AS3+TDD080R9V3	NOMINAL	1000	1.04	1.08	1.02
	LOW	875	1.02	1.05	1.01
	HIGH	1125	1.06	1.11	1.03
4TXFH041AS3+TDD1B060A9H3	NOMINAL	1000	1.04	1.08	1.02
	LOW	875	1.01	1.05	1.01
	HIGH	1125	1.06	1.11	1.03
4TXFH041AS3+TDD1B080A9H3	NOMINAL	1000	1.04	1.08	1.03
	LOW	875	1.01	1.05	1.02
	HIGH	1125	1.06	1.11	1.04
4TXFH041AS3+TDX1B060A9H3	NOMINAL	1000	1.03	1.07	1.02
	LOW	875	1.01	1.04	1.01
	HIGH	1125	1.05	1.11	1.03
4TXFH041AS3+TDX1B080A9H3	NOMINAL	1000	1.04	1.08	1.02
	LOW	875	1.02	1.05	1.01
	HIGH	1125	1.06	1.12	1.03
4TXFH041AS3+TDX1C100A9H4	NOMINAL	1000	1.04	1.08	1.03
	LOW	875	1.02	1.05	1.02
	HIGH	1125	1.06	1.12	1.04
4TXFH041AS3+TDY060R9V3	NOMINAL	1000	1.04	1.07	1.00
	LOW	875	1.02	1.04	0.99
	HIGH	1125	1.06	1.10	1.01
4TXFH041AS3+TDY080R9V3	NOMINAL	1000	1.04	1.07	1.01
	LOW	875	1.02	1.04	1.00
	HIGH	1125	1.06	1.11	1.02
4TXFH041AS3+TDY100R9V4	NOMINAL	1000	1.03	1.07	1.02
	LOW	875	1.01	1.04	1.01
	HIGH	1125	1.05	1.10	1.03
4TXFH041AS3+TUD060R9V3	NOMINAL	1000	1.04	1.07	1.02
	LOW	875	1.01	1.04	1.01
	HIGH	1125	1.06	1.11	1.03
4TXFH041AS3+TUD080R9V3	NOMINAL	1000	1.04	1.08	1.02
	LOW	875	1.02	1.05	1.01
	HIGH	1125	1.06	1.11	1.03
4TXFH041AS3+TUD080R9V4	NOMINAL	1000	1.04	1.08	1.02
	LOW	875	1.02	1.05	1.01
	HIGH	1125	1.06	1.11	1.03
4TXFH041AS3+TUD100R9V3	NOMINAL	1000	1.04	1.07	1.02
	LOW	875	1.01	1.04	1.01
	HIGH	1125	1.06	1.11	1.03
4TXFH041AS3+TUD1B080A9H3	NOMINAL	1000	1.04	1.09	1.03
	LOW	875	1.02	1.06	1.02
	HIGH	1125	1.06	1.12	1.04

CORRECTION FACTORS FOR OTHER COMBINATIONS (MULTIPLY DATA BY FACTOR)

INDOOR MODEL		CFM	MBTUH TOT	MBTUH SEN	SYST KW
4TXFH041AS3+TUD1B100A9H3	NOMINAL	1000	1.04	1.08	1.03
	LOW	875	1.01	1.05	1.02
	HIGH	1125	1.06	1.11	1.04
4TXFH041AS3+TUD1C080A9H4	NOMINAL	1000	1.05	1.09	1.04
	LOW	875	1.03	1.06	1.03
	HIGH	1125	1.07	1.13	1.05
4TXFH041AS3+TUX1B080A9H3	NOMINAL	1000	1.04	1.08	1.03
	LOW	875	1.01	1.05	1.02
	HIGH	1125	1.06	1.11	1.04
4TXFH041AS3+TUY060R9V3	NOMINAL	1000	1.04	1.07	1.00
	LOW	875	1.02	1.03	0.99
	HIGH	1125	1.06	1.10	1.01
4TXFH041AS3+TUY080R9V3	NOMINAL	1000	1.04	1.07	1.00
	LOW	875	1.02	1.04	0.99
	HIGH	1125	1.06	1.11	1.01
4TXFH041AS3+TUY100R9V4	NOMINAL	1000	1.04	1.08	1.02
	LOW	875	1.02	1.05	1.01
	HIGH	1125	1.06	1.11	1.03
RXC025S3+TDD060R9V3	NOMINAL	1000	0.95	0.96	0.93
	LOW	875	0.93	0.93	0.92
	HIGH	1125	0.97	0.99	0.94
RXC025S3+TDD080R9V3	NOMINAL	1000	0.95	0.96	0.93
	LOW	875	0.94	0.93	0.92
	HIGH	1125	0.97	0.99	0.94
RXC025S3+TDD1B060A9H3	NOMINAL	1000	0.96	0.97	0.93
	LOW	875	0.94	0.94	0.92
	HIGH	1125	0.98	1.00	0.94
RXC025S3+TDD1B080A9H3	NOMINAL	1000	0.96	0.97	0.93
	LOW	875	0.94	0.94	0.92
	HIGH	1125	0.98	1.00	0.94
RXC025S3+TDX1B060A9H3	NOMINAL	1000	0.96	0.96	0.93
	LOW	875	0.94	0.93	0.92
	HIGH	1125	0.98	0.99	0.94
RXC025S3+TDX1B080A9H3	NOMINAL	1000	0.96	0.96	0.93
	LOW	875	0.94	0.93	0.92
	HIGH	1125	0.98	0.99	0.94
RXC025S3+TDY060R9V3	NOMINAL	1000	0.96	0.96	0.93
	LOW	875	0.94	0.93	0.92
	HIGH	1125	0.98	0.99	0.94
RXC025S3+TDY080R9V3	NOMINAL	1000	0.95	0.96	0.93
	LOW	875	0.94	0.93	0.92
	HIGH	1125	0.97	0.99	0.94
RXC025S3+TUD060R9V3	NOMINAL	1000	0.95	0.96	0.95
	LOW	875	0.93	0.93	0.94
	HIGH	1125	0.96	0.99	0.96
RXC025S3+TUD080R9V3	NOMINAL	1000	0.95	0.97	0.93
	LOW	875	0.94	0.94	0.92
	HIGH	1125	0.97	1.00	0.94
RXC025S3+TUD1B060A9H3	NOMINAL	1000	0.96	0.97	0.93
	LOW	875	0.94	0.94	0.92
	HIGH	1125	0.98	1.00	0.94
RXC025S3+TUD1B080A9H3	NOMINAL	1000	0.96	0.97	0.93
	LOW	875	0.94	0.94	0.92
	HIGH	1125	0.98	1.00	0.94
RXC025S3+TUD1B100A9H3	NOMINAL	1000	0.96	0.97	0.94
	LOW	875	0.95	0.94	0.93
	HIGH	1125	0.98	1.00	0.95
RXC025S3+TUX1B060A9H3	NOMINAL	1000	0.96	0.97	0.93
	LOW	875	0.94	0.94	0.92
	HIGH	1125	0.98	1.00	0.94
RXC025S3+TUY060R9V3	NOMINAL	1000	0.95	0.96	0.92
	LOW	875	0.94	0.93	0.91
	HIGH	1125	0.97	0.99	0.93



# Performance Data Cooling

## 4TTB3030A1

**CORRECTION FACTORS FOR OTHER COMBINATIONS (MULTIPLY DATA BY FACTOR)**

INDOOR MODEL		CFM	MBTUH TOT	MBTUH SEN	SYST KW
RXC025S3+TUY080R9V3	NOMINAL	1000	0.96	0.96	0.93
	LOW	875	0.94	0.93	0.92
	HIGH	1125	0.98	0.99	0.94
RXC031S3	NOMINAL	1000	1.01	1.03	1.01
	LOW	875	0.99	1.00	1.00
	HIGH	1125	1.03	1.06	1.02
RXC031S3+TDD060R9V3	NOMINAL	1000	1.03	1.05	1.00
	LOW	875	1.01	1.02	0.99
	HIGH	1125	1.05	1.08	1.01
RXC031S3+TDD080R9V3	NOMINAL	1000	1.04	1.06	1.01
	LOW	875	1.01	1.03	1.00
	HIGH	1125	1.06	1.09	1.02
RXC031S3+TDD1B060A9H3	NOMINAL	1000	1.04	1.06	1.00
	LOW	875	1.01	1.02	0.99
	HIGH	1125	1.06	1.09	1.01
RXC031S3+TDD1B080A9H3	NOMINAL	1000	1.03	1.06	1.00
	LOW	875	1.01	1.02	0.99
	HIGH	1125	1.05	1.09	1.01
RXC031S3+TDX1B040A9H2	NOMINAL	1000	1.02	1.05	1.01
	LOW	875	1.00	1.02	1.00
	HIGH	1125	1.04	1.08	1.02
RXC031S3+TDX1B060A9H3	NOMINAL	1000	1.04	1.06	1.00
	LOW	875	1.01	1.02	0.99
	HIGH	1125	1.06	1.09	1.01
RXC031S3+TDX1B080A9H3	NOMINAL	1000	1.03	1.06	1.00
	LOW	875	1.01	1.02	0.99
	HIGH	1125	1.05	1.09	1.01
RXC031S3+TDY060R9V3	NOMINAL	1000	1.04	1.06	1.00
	LOW	875	1.02	1.02	0.99
	HIGH	1125	1.06	1.09	1.01
RXC031S3+TDY080R9V3	NOMINAL	1000	1.03	1.05	1.00
	LOW	875	1.01	1.02	0.99
	HIGH	1125	1.05	1.08	1.01
RXC031S3+TUD060R9V3	NOMINAL	1000	1.03	1.05	1.01
	LOW	875	1.01	1.02	1.00
	HIGH	1125	1.05	1.08	1.02
RXC031S3+TUD080R9V3	NOMINAL	1000	1.03	1.05	1.00
	LOW	875	1.01	1.02	0.99
	HIGH	1125	1.05	1.08	1.01
RXC031S3+TUD100R9V3	NOMINAL	1000	1.03	1.05	1.01
	LOW	875	1.01	1.02	1.00
	HIGH	1125	1.05	1.08	1.02
RXC031S3+TUD1A040A9H2	NOMINAL	1000	1.03	1.05	1.01
	LOW	875	1.01	1.02	1.00
	HIGH	1125	1.05	1.08	1.02
RXC031S3+TUD1B060A9H3	NOMINAL	1000	1.04	1.07	1.02
	LOW	875	1.02	1.03	1.01
	HIGH	1125	1.06	1.10	1.03
RXC031S3+TUD1B080A9H3	NOMINAL	1000	1.04	1.07	1.01
	LOW	875	1.02	1.03	1.00
	HIGH	1125	1.06	1.10	1.02
RXC031S3+TUD1B100A9H3	NOMINAL	1000	1.04	1.06	1.01
	LOW	875	1.01	1.03	1.00
	HIGH	1125	1.06	1.09	1.02
RXC031S3+TUX1B040A9H2	NOMINAL	1000	1.04	1.06	1.00
	LOW	875	1.01	1.02	0.99
	HIGH	1125	1.06	1.09	1.01
RXC031S3+TUX1B060A9H3	NOMINAL	1000	1.03	1.06	1.01
	LOW	875	1.01	1.02	1.00
	HIGH	1125	1.05	1.09	1.02
RXC031S3+TUY060R9V3	NOMINAL	1000	1.04	1.05	1.00
	LOW	875	1.01	1.02	0.99
	HIGH	1125	1.06	1.08	1.01

**CORRECTION FACTORS FOR OTHER COMBINATIONS (MULTIPLY DATA BY FACTOR)**

INDOOR MODEL		CFM	MBTUH TOT	MBTUH SEN	SYST KW
RXC031S3+TUY080R9V3	NOMINAL	1000	1.03	1.05	1.00
	LOW	875	1.01	1.02	0.99
	HIGH	1125	1.05	1.08	1.01
RXC036S3	NOMINAL	1000	1.04	1.07	1.03
	LOW	875	1.01	1.04	1.02
	HIGH	1125	1.06	1.10	1.04
RXC036S3+TDD060R9V3	NOMINAL	1000	1.05	1.09	1.03
	LOW	875	1.03	1.06	1.02
	HIGH	1125	1.07	1.12	1.04
RXC036S3+TDD080R9V3	NOMINAL	1000	1.05	1.09	1.02
	LOW	875	1.03	1.06	1.01
	HIGH	1125	1.07	1.12	1.03
RXC036S3+TDD1B060A9H3	NOMINAL	1000	1.05	1.09	1.04
	LOW	875	1.03	1.06	1.03
	HIGH	1125	1.07	1.13	1.05
RXC036S3+TDD1B080A9H3	NOMINAL	1000	1.05	1.09	1.04
	LOW	875	1.03	1.06	1.03
	HIGH	1125	1.07	1.13	1.05
RXC036S3+TDX1B040A9H2	NOMINAL	1000	1.05	1.08	1.03
	LOW	875	1.02	1.05	1.02
	HIGH	1125	1.07	1.12	1.04
RXC036S3+TDX1B060A9H3	NOMINAL	1000	1.05	1.09	1.03
	LOW	875	1.02	1.06	1.02
	HIGH	1125	1.07	1.12	1.04
RXC036S3+TDX1B080A9H3	NOMINAL	1000	1.05	1.09	1.03
	LOW	875	1.03	1.06	1.02
	HIGH	1125	1.07	1.13	1.04
RXC036S3+TDY060R9V3	NOMINAL	1000	1.05	1.09	1.02
	LOW	875	1.03	1.06	1.01
	HIGH	1125	1.07	1.12	1.03
RXC036S3+TDY080R9V3	NOMINAL	1000	1.05	1.08	1.01
	LOW	875	1.02	1.05	1.00
	HIGH	1125	1.07	1.12	1.02
RXC036S3+TUD060R9V3	NOMINAL	1000	1.04	1.08	1.02
	LOW	875	1.02	1.05	1.01
	HIGH	1125	1.06	1.12	1.03
RXC036S3+TUD080R9V3	NOMINAL	1000	1.05	1.09	1.03
	LOW	875	1.03	1.06	1.02
	HIGH	1125	1.07	1.12	1.04
RXC036S3+TUD100R9V3	NOMINAL	1000	1.04	1.08	1.02
	LOW	875	1.02	1.05	1.01
	HIGH	1125	1.06	1.12	1.03
RXC036S3+TUD1A040A9H2	NOMINAL	1000	1.05	1.09	1.03
	LOW	875	1.03	1.06	1.02
	HIGH	1125	1.07	1.12	1.04
RXC036S3+TUD1B060A9H3	NOMINAL	1000	1.05	1.10	1.03
	LOW	875	1.03	1.07	1.02
	HIGH	1125	1.08	1.13	1.04
RXC036S3+TUD1B080A9H3	NOMINAL	1000	1.05	1.10	1.04
	LOW	875	1.03	1.07	1.03
	HIGH	1125	1.08	1.14	1.05
RXC036S3+TUD1B100A9H3	NOMINAL	1000	1.05	1.10	1.03
	LOW	875	1.03	1.07	1.02
	HIGH	1125	1.08	1.13	1.04
RXC036S3+TUX1B040A9H2	NOMINAL	1000	1.04	1.08	1.03
	LOW	875	1.02	1.05	1.02
	HIGH	1125	1.06	1.12	1.04
RXC036S3+TUX1B060A9H3	NOMINAL	1000	1.05	1.09	1.03
	LOW	875	1.03	1.06	1.02
	HIGH	1125	1.07	1.13	1.04
RXC036S3+TUX1B080A9H3	NOMINAL	1000	1.05	1.09	1.04
	LOW	875	1.03	1.06	1.03
	HIGH	1125	1.07	1.13	1.05



# Performance Data Cooling

## 4TTB3030A1

### CORRECTION FACTORS FOR OTHER COMBINATIONS (MULTIPLY DATA BY FACTOR)

INDOOR MODEL		CFM	MBTUH TOT	MBTUH SEN	SYST KW
RXC036S3+TUY060R9V3	NOMINAL	1000	1.05	1.08	1.01
	LOW	875	1.03	1.05	1.00
	HIGH	1125	1.07	1.12	1.02

### CORRECTION FACTORS FOR OTHER COMBINATIONS (MULTIPLY DATA BY FACTOR)

INDOOR MODEL		CFM	MBTUH TOT	MBTUH SEN	SYST KW
RXC036S3+TUY080R9V3	NOMINAL	1000	1.05	1.09	1.02
	LOW	875	1.03	1.06	1.01
	HIGH	1125	1.07	1.12	1.03

# Performance Data Cooling

## 4TTB3036A1

### 4TTB3036A1 WITH 4TXCB036AC3 AT 1200 CFM

O.D. D.B.	I.D. W.B.	TOT. CAP.	SENS. CAP. AT ENTERING D.B. TEMP.				TOTAL KW
			72	75	78	80	
85	59	34.2	27.9	31.4	34.2	34.2	2.87
	63	35.6	22.7	26.2	29.6	31.9	2.89
	67	38.4	17.9	21.3	24.8	27.1	2.94
	71	41.4	13.1	16.6	20.0	22.3	2.96
95	59	32.5	27.2	30.6	32.5	32.5	3.19
	63	33.9	22.0	25.4	28.9	31.2	3.21
	67	36.5	17.2	20.7	24.1	26.4	3.26
	71	39.4	12.4	15.8	19.3	21.6	3.29
105	59	31.7	26.8	30.3	31.7	31.7	3.35
	63	33.0	21.6	25.1	28.5	30.8	3.37
	67	35.6	16.9	20.3	23.7	26.1	3.43
	71	38.4	12.0	15.5	19.0	21.2	3.46
115	59	29.2	25.7	29.2	29.2	29.2	3.83
	63	30.4	20.6	24.0	27.5	29.8	3.85
	67	32.8	15.8	19.2	22.7	25.0	3.92
	71	35.4	11.0	14.5	17.9	20.2	3.95

### CORRECTION FACTORS FOR OTHER AIRFLOWS (MULTIPLY DATA BY FACTOR)

	AIRFLOW	TOTAL CAPACITY	SENSIBLE CAPACITY
LOW	1050	0.98	0.98
HIGH	1350	1.02	1.02

NOTE: ALL TABLES ABOVE ARE AT ARI RATING CONDITIONS RATED WITH 25 FEET OF REFRIGERANT LINES.  
 \* DRY COIL CONDITION (TOTAL CAPACITY = SENSIBLE CAPACITY)  
 TOTAL CAPACITY, COMP. KW AND APP. DEW PT. ARE VALID ONLY FOR WET COIL. ALL TEMPERATURES IN DEGREES F.

### CORRECTION FACTORS FOR OTHER COMBINATIONS (MULTIPLY DATA BY FACTOR)

INDOOR MODEL		CFM	MBTUH TOT	MBTUH SEN	SYST KW
2TEH3F36A1+4AYTXVH-3	NOMINAL	1200	0.99	0.96	0.97
	LOW	1050	0.97	0.93	0.96
	HIGH	1350	1.01	0.99	0.98
2TEH3F42A1+4AYTXVH-3	NOMINAL	1200	1.02	1.01	1.01
	LOW	1050	1.00	0.98	1.00
	HIGH	1350	1.04	1.04	1.02
2TGB3F42A1+4AYTXVH-3	NOMINAL	1200	0.99	0.97	1.01
	LOW	1050	0.97	0.94	1.00
	HIGH	1350	1.01	1.00	1.02
4CXAB036AC3	NOMINAL	1200	0.97	0.97	0.98
	LOW	1050	0.95	0.94	0.97
	HIGH	1350	0.99	1.00	0.99

### CORRECTION FACTORS FOR OTHER COMBINATIONS (MULTIPLY DATA BY FACTOR)

INDOOR MODEL		CFM	MBTUH TOT	MBTUH SEN	SYST KW
4CXAB036AC3+TDD060R9V3	NOMINAL	1200	0.97	0.99	0.97
	LOW	1050	0.95	0.96	0.96
	HIGH	1350	0.99	1.01	0.98
4CXAB036AC3+TDD080R9V3	NOMINAL	1200	0.98	0.99	0.97
	LOW	1050	0.96	0.96	0.96
	HIGH	1350	1.00	1.02	0.98
4CXAB036AC3+TDD1B060A9H3	NOMINAL	1200	0.98	0.99	0.97
	LOW	1050	0.96	0.96	0.96
	HIGH	1350	1.00	1.02	0.98
4CXAB036AC3+TDD1B080A9H3	NOMINAL	1200	0.98	0.99	0.97
	LOW	1050	0.96	0.96	0.96
	HIGH	1350	1.00	1.02	0.98
4CXAB036AC3+TDX1B060A9H3	NOMINAL	1200	0.97	0.99	0.97
	LOW	1050	0.95	0.96	0.96
	HIGH	1350	0.99	1.01	0.98
4CXAB036AC3+TDX1B080A9H3	NOMINAL	1200	0.97	0.99	0.97
	LOW	1050	0.95	0.96	0.96
	HIGH	1350	0.99	1.01	0.98
4CXAB036AC3+TDX1C100A9H4	NOMINAL	1200	0.98	0.99	0.97
	LOW	1050	0.96	0.96	0.96
	HIGH	1350	1.00	1.02	0.98
4CXAB036AC3+TDY060R9V3	NOMINAL	1200	0.98	0.99	0.97
	LOW	1050	0.96	0.96	0.96
	HIGH	1350	1.00	1.02	0.98
4CXAB036AC3+TDY080R9V3	NOMINAL	1200	0.97	0.98	0.96
	LOW	1050	0.95	0.95	0.95
	HIGH	1350	0.99	1.01	0.97
4CXAB036AC3+TDY100R9V4	NOMINAL	1200	0.98	0.99	0.96
	LOW	1050	0.96	0.96	0.95
	HIGH	1350	1.00	1.02	0.97
4CXAB036AC3+TUD060R9V3	NOMINAL	1200	0.97	0.98	0.97
	LOW	1050	0.95	0.95	0.96
	HIGH	1350	0.99	1.01	0.98
4CXAB036AC3+TUD080R9V3	NOMINAL	1200	0.97	0.98	0.97
	LOW	1050	0.95	0.95	0.96
	HIGH	1350	0.99	1.01	0.98
4CXAB036AC3+TUD080R9V4	NOMINAL	1200	0.98	0.99	0.98
	LOW	1050	0.96	0.96	0.97
	HIGH	1350	1.00	1.02	0.99
4CXAB036AC3+TUD100R9V3	NOMINAL	1200	0.96	0.97	0.97
	LOW	1050	0.94	0.94	0.96
	HIGH	1350	0.98	1.00	0.98



# Performance Data Cooling

## 4TTB3036A1

**CORRECTION FACTORS FOR OTHER COMBINATIONS (MULTIPLY DATA BY FACTOR)**

INDOOR MODEL		CFM	MBTUH TOT	MBTUH SEN	SYST KW
4CXAB036AC3+TUD1B060A9H3	NOMINAL	1200	0.98	1.00	0.97
	LOW	1050	0.96	0.97	0.96
	HIGH	1350	1.00	1.03	0.98
4CXAB036AC3+TUD1B080A9H3	NOMINAL	1200	0.98	1.00	0.97
	LOW	1050	0.96	0.97	0.96
	HIGH	1350	1.00	1.03	0.98
4CXAB036AC3+TUD1B100A9H3	NOMINAL	1200	0.98	1.00	0.97
	LOW	1050	0.96	0.97	0.96
	HIGH	1350	1.00	1.03	0.98
4CXAB036AC3+TUD1C080A9H4	NOMINAL	1200	0.98	1.00	0.98
	LOW	1050	0.96	0.97	0.97
	HIGH	1350	1.00	1.03	0.99
4CXAB036AC3+TUX1B060A9H3	NOMINAL	1200	0.97	0.99	0.97
	LOW	1050	0.95	0.96	0.96
	HIGH	1350	0.99	1.01	0.98
4CXAB036AC3+TUX1B080A9H3	NOMINAL	1200	0.98	0.99	0.97
	LOW	1050	0.96	0.96	0.96
	HIGH	1350	1.00	1.02	0.98
4CXAB036AC3+TUX1C100A9H4	NOMINAL	1200	0.98	1.00	0.98
	LOW	1050	0.96	0.97	0.97
	HIGH	1350	1.00	1.03	0.99
4CXAB036AC3+TUY060R9V3	NOMINAL	1200	0.97	0.98	0.96
	LOW	1050	0.95	0.95	0.95
	HIGH	1350	0.99	1.01	0.97
4CXAB036AC3+TUY080R9V3	NOMINAL	1200	0.98	0.99	0.96
	LOW	1050	0.96	0.96	0.95
	HIGH	1350	1.00	1.01	0.97
4CXAB036AC3+TUY100R9V4	NOMINAL	1200	0.98	0.99	0.96
	LOW	1050	0.96	0.96	0.95
	HIGH	1350	1.00	1.02	0.97
4CXAB042AC3+TDD060R9V3	NOMINAL	1200	0.95	0.98	0.95
	LOW	1050	0.93	0.95	0.94
	HIGH	1350	0.97	1.01	0.96
4CXAB042AC3+TDD080R9V3	NOMINAL	1200	0.96	0.98	0.95
	LOW	1050	0.94	0.95	0.94
	HIGH	1350	0.97	1.01	0.96
4CXAB042AC3+TDD1B060A9H3	NOMINAL	1200	0.95	0.98	0.95
	LOW	1050	0.93	0.95	0.94
	HIGH	1350	0.97	1.01	0.96
4CXAB042AC3+TDD1B080A9H3	NOMINAL	1200	0.95	0.98	0.95
	LOW	1050	0.93	0.95	0.94
	HIGH	1350	0.97	1.01	0.96
4CXAB042AC3+TDX1B060A9H3	NOMINAL	1200	0.95	0.97	0.95
	LOW	1050	0.93	0.94	0.94
	HIGH	1350	0.97	1.00	0.96
4CXAB042AC3+TDX1B080A9H3	NOMINAL	1200	0.95	0.98	0.96
	LOW	1050	0.93	0.95	0.95
	HIGH	1350	0.97	1.01	0.97
4CXAB042AC3+TDX1C100A9H4	NOMINAL	1200	0.96	1.00	0.97
	LOW	1050	0.94	0.97	0.96
	HIGH	1350	0.98	1.03	0.98
4CXAB042AC3+TDY060R9V3	NOMINAL	1200	0.96	0.97	0.94
	LOW	1050	0.94	0.94	0.93
	HIGH	1350	0.97	1.00	0.95
4CXAB042AC3+TDY080R9V3	NOMINAL	1200	0.95	0.97	0.95
	LOW	1050	0.93	0.94	0.94
	HIGH	1350	0.97	1.00	0.96
4CXAB042AC3+TDY100R9V4	NOMINAL	1200	0.96	0.97	0.94
	LOW	1050	0.94	0.94	0.93
	HIGH	1350	0.97	1.00	0.95
4CXAB042AC3+TUD060R9V3	NOMINAL	1200	0.95	0.97	0.96
	LOW	1050	0.93	0.94	0.95
	HIGH	1350	0.97	1.00	0.97

**CORRECTION FACTORS FOR OTHER COMBINATIONS (MULTIPLY DATA BY FACTOR)**

INDOOR MODEL		CFM	MBTUH TOT	MBTUH SEN	SYST KW
4CXAB042AC3+TUD080R9V3	NOMINAL	1200	0.95	0.97	0.95
	LOW	1050	0.93	0.94	0.94
	HIGH	1350	0.97	1.00	0.96
4CXAB042AC3+TUD080R9V4	NOMINAL	1200	0.96	0.99	0.96
	LOW	1050	0.94	0.96	0.95
	HIGH	1350	0.98	1.01	0.97
4CXAB042AC3+TUD100R9V3	NOMINAL	1200	0.95	0.97	0.97
	LOW	1050	0.93	0.94	0.96
	HIGH	1350	0.96	1.00	0.98
4CXAB042AC3+TUD1B060A9H3	NOMINAL	1200	0.96	0.98	0.96
	LOW	1050	0.94	0.95	0.95
	HIGH	1350	0.97	1.01	0.97
4CXAB042AC3+TUD1B080A9H3	NOMINAL	1200	0.96	0.99	0.96
	LOW	1050	0.94	0.96	0.95
	HIGH	1350	0.98	1.02	0.97
4CXAB042AC3+TUD1B100A9H3	NOMINAL	1200	0.96	0.98	0.96
	LOW	1050	0.94	0.95	0.95
	HIGH	1350	0.97	1.01	0.97
4CXAB042AC3+TUX1B060A9H3	NOMINAL	1200	0.95	0.97	0.96
	LOW	1050	0.93	0.94	0.95
	HIGH	1350	0.97	1.00	0.97
4CXAB042AC3+TUX1B080A9H3	NOMINAL	1200	0.96	0.98	0.95
	LOW	1050	0.94	0.95	0.94
	HIGH	1350	0.98	1.01	0.96
4CXAB042AC3+TUY060R9V3	NOMINAL	1200	0.96	0.97	0.94
	LOW	1050	0.94	0.94	0.93
	HIGH	1350	0.98	1.00	0.95
4CXAB042AC3+TUY080R9V3	NOMINAL	1200	0.96	0.98	0.94
	LOW	1050	0.94	0.95	0.93
	HIGH	1350	0.98	1.01	0.95
4CXAB042AC3+TUY100R9V4	NOMINAL	1200	0.96	0.98	0.94
	LOW	1050	0.94	0.95	0.93
	HIGH	1350	0.98	1.01	0.95
4CXAB042AC3+TUY100R9V4	NOMINAL	1200	0.96	0.98	0.95
	LOW	1050	0.94	0.95	0.94
	HIGH	1350	0.98	1.01	0.96
4CXAB048AC3	NOMINAL	1200	0.97	0.99	0.99
	LOW	1050	0.95	0.96	0.98
	HIGH	1350	0.99	1.02	1.00
4CXAB048AC3+TDD060R9V3	NOMINAL	1200	0.98	1.00	0.98
	LOW	1050	0.96	0.97	0.97
	HIGH	1350	1.00	1.03	0.99
4CXAB048AC3+TDD080R9V3	NOMINAL	1200	0.98	1.01	0.98
	LOW	1050	0.96	0.98	0.97
	HIGH	1350	1.00	1.04	0.99
4CXAB048AC3+TDD1B060A9H3	NOMINAL	1200	0.97	1.00	0.98
	LOW	1050	0.95	0.97	0.97
	HIGH	1350	0.99	1.03	0.99
4CXAB048AC3+TDD1B080A9H3	NOMINAL	1200	0.97	1.00	0.98
	LOW	1050	0.95	0.97	0.97
	HIGH	1350	0.99	1.03	0.99
4CXAB048AC3+TDX1B060A9H3	NOMINAL	1200	0.98	1.00	0.98
	LOW	1050	0.96	0.97	0.97
	HIGH	1350	1.00	1.03	0.99
4CXAB048AC3+TDX1B080A9H3	NOMINAL	1200	0.98	1.00	0.98
	LOW	1050	0.96	0.97	0.97
	HIGH	1350	1.00	1.03	0.99
4CXAB048AC3+TDX1C100A9H4	NOMINAL	1200	0.99	1.02	1.00
	LOW	1050	0.97	0.99	0.99
	HIGH	1350	1.01	1.05	1.01
4CXAB048AC3+TDY060R9V3	NOMINAL	1200	0.98	1.01	0.97
	LOW	1050	0.96	0.98	0.96
	HIGH	1350	1.00	1.04	0.98
4CXAB048AC3+TDY080R9V3	NOMINAL	1200	0.98	1.00	0.97
	LOW	1050	0.96	0.97	0.96
	HIGH	1350	1.00	1.03	0.98



# Performance Data Cooling

## 4TTB3036A1

CORRECTION FACTORS FOR OTHER COMBINATIONS (MULTIPLY DATA BY FACTOR)

INDOOR MODEL		CFM	MBTUH TOT	MBTUH SEN	SYST KW
4CXAB048AC3+TDY100R9V4	NOMINAL	1200	0.98	1.00	0.96
	LOW	1050	0.96	0.97	0.95
	HIGH	1350	1.00	1.03	0.97
4CXAB048AC3+TUD060R9V3	NOMINAL	1200	0.97	1.00	0.97
	LOW	1050	0.95	0.97	0.96
	HIGH	1350	0.99	1.03	0.98
4CXAB048AC3+TUD080R9V3	NOMINAL	1200	0.97	1.00	0.97
	LOW	1050	0.95	0.97	0.96
	HIGH	1350	0.99	1.03	0.98
4CXAB048AC3+TUD080R9V4	NOMINAL	1200	0.98	1.01	0.98
	LOW	1050	0.96	0.98	0.97
	HIGH	1350	1.00	1.04	0.99
4CXAB048AC3+TUD100R9V3	NOMINAL	1200	0.97	0.99	0.98
	LOW	1050	0.95	0.96	0.97
	HIGH	1350	0.99	1.02	0.99
4CXAB048AC3+TUD1B060A9H3	NOMINAL	1200	0.98	1.01	0.98
	LOW	1050	0.96	0.98	0.97
	HIGH	1350	1.00	1.04	0.99
4CXAB048AC3+TUD1B080A9H3	NOMINAL	1200	0.98	1.00	0.99
	LOW	1050	0.96	0.97	0.98
	HIGH	1350	1.00	1.03	1.00
4CXAB048AC3+TUD1B100A9H3	NOMINAL	1200	0.98	1.01	0.98
	LOW	1050	0.96	0.98	0.97
	HIGH	1350	1.00	1.04	0.99
4CXAB048AC3+TUD1C080A9H4	NOMINAL	1200	0.98	1.01	1.00
	LOW	1050	0.96	0.98	0.99
	HIGH	1350	1.00	1.05	1.01
4CXAB048AC3+TUX1B060A9H3	NOMINAL	1200	0.97	1.00	0.98
	LOW	1050	0.95	0.97	0.97
	HIGH	1350	0.99	1.03	0.99
4CXAB048AC3+TUX1B080A9H3	NOMINAL	1200	0.97	1.00	0.98
	LOW	1050	0.95	0.97	0.97
	HIGH	1350	0.99	1.03	0.99
4CXAB048AC3+TUY060R9V3	NOMINAL	1200	0.98	1.00	0.97
	LOW	1050	0.96	0.97	0.96
	HIGH	1350	1.00	1.03	0.98
4CXAB048AC3+TUY080R9V3	NOMINAL	1200	0.98	1.00	0.96
	LOW	1050	0.96	0.97	0.95
	HIGH	1350	1.00	1.03	0.97
4CXAB048AC3+TUY100R9V4	NOMINAL	1200	0.98	1.01	0.97
	LOW	1050	0.96	0.98	0.96
	HIGH	1350	1.00	1.04	0.98
4CXAC037AC3	NOMINAL	1200	0.97	0.97	0.98
	LOW	1050	0.95	0.94	0.97
	HIGH	1350	0.99	1.00	0.99
4CXAC037AC3+TDD060R9V3	NOMINAL	1200	0.97	0.99	0.97
	LOW	1050	0.95	0.96	0.96
	HIGH	1350	0.99	1.02	0.98
4CXAC037AC3+TDD080R9V3	NOMINAL	1200	0.98	0.99	0.97
	LOW	1050	0.96	0.96	0.96
	HIGH	1350	1.00	1.02	0.98
4CXAC037AC3+TDD1B060A9H3	NOMINAL	1200	0.98	1.00	0.97
	LOW	1050	0.96	0.97	0.96
	HIGH	1350	1.00	1.03	0.98
4CXAC037AC3+TDD1B080A9H3	NOMINAL	1200	0.98	1.00	0.97
	LOW	1050	0.96	0.97	0.96
	HIGH	1350	1.00	1.03	0.98
4CXAC037AC3+TDX1B060A9H3	NOMINAL	1200	0.98	0.99	0.97
	LOW	1050	0.96	0.96	0.96
	HIGH	1350	1.00	1.02	0.98
4CXAC037AC3+TDX1B080A9H3	NOMINAL	1200	0.97	0.99	0.97
	LOW	1050	0.95	0.96	0.96
	HIGH	1350	0.99	1.01	0.98

CORRECTION FACTORS FOR OTHER COMBINATIONS (MULTIPLY DATA BY FACTOR)

INDOOR MODEL		CFM	MBTUH TOT	MBTUH SEN	SYST KW
4CXAC037AC3+TDX1C100A9H4	NOMINAL	1200	0.98	1.00	0.97
	LOW	1050	0.96	0.97	0.96
	HIGH	1350	1.00	1.03	0.98
4CXAC037AC3+TDY060R9V3	NOMINAL	1200	0.98	0.99	0.97
	LOW	1050	0.96	0.96	0.96
	HIGH	1350	1.00	1.02	0.98
4CXAC037AC3+TDY080R9V3	NOMINAL	1200	0.97	0.99	0.97
	LOW	1050	0.95	0.96	0.96
	HIGH	1350	0.99	1.01	0.98
4CXAC037AC3+TDY100R9V4	NOMINAL	1200	0.98	0.99	0.96
	LOW	1050	0.96	0.96	0.95
	HIGH	1350	1.00	1.02	0.97
4CXAC037AC3+TUD060R9V3	NOMINAL	1200	0.97	0.98	0.97
	LOW	1050	0.95	0.95	0.96
	HIGH	1350	0.99	1.01	0.98
4CXAC037AC3+TUD080R9V3	NOMINAL	1200	0.98	0.99	0.97
	LOW	1050	0.96	0.96	0.96
	HIGH	1350	1.00	1.02	0.98
4CXAC037AC3+TUD080R9V4	NOMINAL	1200	0.98	1.00	0.98
	LOW	1050	0.96	0.97	0.97
	HIGH	1350	1.00	1.03	0.99
4CXAC037AC3+TUD100R9V3	NOMINAL	1200	0.96	0.98	0.97
	LOW	1050	0.94	0.95	0.96
	HIGH	1350	0.98	1.01	0.98
4CXAC037AC3+TUD1B060A9H3	NOMINAL	1200	0.98	1.00	0.98
	LOW	1050	0.96	0.97	0.97
	HIGH	1350	1.00	1.03	0.99
4CXAC037AC3+TUD1B080A9H3	NOMINAL	1200	0.99	1.00	0.98
	LOW	1050	0.97	0.97	0.97
	HIGH	1350	1.01	1.03	0.99
4CXAC037AC3+TUD1B100A9H3	NOMINAL	1200	0.98	1.00	0.97
	LOW	1050	0.96	0.97	0.96
	HIGH	1350	1.00	1.03	0.98
4CXAC037AC3+TUD1C080A9H4	NOMINAL	1200	0.98	1.00	0.98
	LOW	1050	0.96	0.97	0.97
	HIGH	1350	1.00	1.03	0.99
4CXAC037AC3+TUX1B060A9H3	NOMINAL	1200	0.98	0.99	0.97
	LOW	1050	0.96	0.96	0.96
	HIGH	1350	1.00	1.02	0.98
4CXAC037AC3+TUX1B080A9H3	NOMINAL	1200	0.98	1.00	0.97
	LOW	1050	0.96	0.97	0.96
	HIGH	1350	1.00	1.03	0.98
4CXAC037AC3+TUX1C100A9H4	NOMINAL	1200	0.98	1.00	0.98
	LOW	1050	0.96	0.97	0.97
	HIGH	1350	1.00	1.03	0.99
4CXAC037AC3+TUY060R9V3	NOMINAL	1200	0.98	0.99	0.96
	LOW	1050	0.96	0.96	0.95
	HIGH	1350	1.00	1.01	0.97
4CXAC037AC3+TUY080R9V3	NOMINAL	1200	0.98	0.99	0.97
	LOW	1050	0.96	0.96	0.96
	HIGH	1350	1.00	1.02	0.98
4CXAC037AC3+TUY100R9V4	NOMINAL	1200	0.98	1.00	0.97
	LOW	1050	0.96	0.97	0.96
	HIGH	1350	1.00	1.03	0.98
4CXAC043AC3+TDD060R9V3	NOMINAL	1200	0.96	0.98	0.96
	LOW	1050	0.94	0.95	0.95
	HIGH	1350	0.97	1.01	0.97
4CXAC043AC3+TDD080R9V3	NOMINAL	1200	0.96	0.99	0.95
	LOW	1050	0.94	0.96	0.94
	HIGH	1350	0.98	1.01	0.96
4CXAC043AC3+TDD1B060A9H3	NOMINAL	1200	0.96	0.98	0.96
	LOW	1050	0.94	0.95	0.95
	HIGH	1350	0.97	1.01	0.97



# Performance Data Cooling

## 4TTB3036A1

CORRECTION FACTORS FOR OTHER COMBINATIONS (MULTIPLY DATA BY FACTOR)

INDOOR MODEL		CFM	MBTUH TOT	MBTUH SEN	SYST KW
4CXAC043AC3+TDD1B080A9H3	NOMINAL	1200	0.96	0.98	0.96
	LOW	1050	0.94	0.95	0.95
	HIGH	1350	0.97	1.01	0.97
4CXAC043AC3+TDX1B060A9H3	NOMINAL	1200	0.95	0.98	0.96
	LOW	1050	0.93	0.95	0.95
	HIGH	1350	0.97	1.01	0.97
4CXAC043AC3+TDX1B080A9H3	NOMINAL	1200	0.95	0.98	0.95
	LOW	1050	0.93	0.95	0.94
	HIGH	1350	0.97	1.01	0.96
4CXAC043AC3+TDX1C100A9H4	NOMINAL	1200	0.96	1.00	0.98
	LOW	1050	0.94	0.97	0.97
	HIGH	1350	0.98	1.03	0.99
4CXAC043AC3+TDY060R9V3	NOMINAL	1200	0.96	0.98	0.94
	LOW	1050	0.94	0.95	0.93
	HIGH	1350	0.98	1.01	0.95
4CXAC043AC3+TDY080R9V3	NOMINAL	1200	0.95	0.97	0.94
	LOW	1050	0.93	0.94	0.93
	HIGH	1350	0.97	1.00	0.95
4CXAC043AC3+TDY100R9V4	NOMINAL	1200	0.96	0.98	0.95
	LOW	1050	0.94	0.95	0.94
	HIGH	1350	0.98	1.01	0.96
4CXAC043AC3+TUD060R9V3	NOMINAL	1200	0.95	0.97	0.95
	LOW	1050	0.93	0.94	0.94
	HIGH	1350	0.97	1.00	0.96
4CXAC043AC3+TUD080R9V3	NOMINAL	1200	0.95	0.97	0.95
	LOW	1050	0.93	0.94	0.94
	HIGH	1350	0.97	1.00	0.96
4CXAC043AC3+TUD080R9V4	NOMINAL	1200	0.96	0.99	0.96
	LOW	1050	0.94	0.96	0.95
	HIGH	1350	0.98	1.01	0.97
4CXAC043AC3+TUD100R9V3	NOMINAL	1200	0.95	0.97	0.97
	LOW	1050	0.93	0.94	0.96
	HIGH	1350	0.96	1.00	0.98
4CXAC043AC3+TUD1B060A9H3	NOMINAL	1200	0.96	0.99	0.96
	LOW	1050	0.94	0.96	0.95
	HIGH	1350	0.98	1.02	0.97
4CXAC043AC3+TUD1B080A9H3	NOMINAL	1200	0.96	0.99	0.96
	LOW	1050	0.94	0.96	0.95
	HIGH	1350	0.98	1.02	0.97
4CXAC043AC3+TUD1B100A9H3	NOMINAL	1200	0.96	0.99	0.96
	LOW	1050	0.94	0.96	0.95
	HIGH	1350	0.98	1.02	0.97
4CXAC043AC3+TUD1C080A9H4	NOMINAL	1200	0.97	1.00	0.96
	LOW	1050	0.95	0.97	0.95
	HIGH	1350	0.99	1.03	0.97
4CXAC043AC3+TUX1B060A9H3	NOMINAL	1200	0.96	0.99	0.95
	LOW	1050	0.94	0.96	0.94
	HIGH	1350	0.98	1.01	0.96
4CXAC043AC3+TUX1B080A9H3	NOMINAL	1200	0.96	0.99	0.96
	LOW	1050	0.94	0.96	0.95
	HIGH	1350	0.98	1.01	0.97
4CXAC043AC3+TUX1C100A9H4	NOMINAL	1200	0.97	1.00	0.96
	LOW	1050	0.95	0.97	0.95
	HIGH	1350	0.99	1.03	0.97
4CXAC043AC3+TUY060R9V3	NOMINAL	1200	0.96	0.98	0.95
	LOW	1050	0.94	0.95	0.94
	HIGH	1350	0.98	1.01	0.96
4CXAC043AC3+TUY080R9V3	NOMINAL	1200	0.96	0.98	0.94
	LOW	1050	0.94	0.95	0.93
	HIGH	1350	0.98	1.01	0.95
4CXAC043AC3+TUY100R9V4	NOMINAL	1200	0.96	0.98	0.95
	LOW	1050	0.94	0.95	0.94
	HIGH	1350	0.98	1.01	0.96

CORRECTION FACTORS FOR OTHER COMBINATIONS (MULTIPLY DATA BY FACTOR)

INDOOR MODEL		CFM	MBTUH TOT	MBTUH SEN	SYST KW
4CXAC049AC3	NOMINAL	1200	0.97	0.99	0.99
	LOW	1050	0.95	0.96	0.98
	HIGH	1350	0.99	1.02	1.00
4CXAC049AC3+TDD060R9V3	NOMINAL	1200	0.98	1.00	0.98
	LOW	1050	0.96	0.97	0.97
	HIGH	1350	1.00	1.03	0.99
4CXAC049AC3+TDD080R9V3	NOMINAL	1200	0.98	1.01	0.98
	LOW	1050	0.96	0.98	0.97
	HIGH	1350	1.00	1.04	0.99
4CXAC049AC3+TDD1B060A9H3	NOMINAL	1200	0.98	1.01	0.99
	LOW	1050	0.96	0.98	0.98
	HIGH	1350	1.00	1.04	1.00
4CXAC049AC3+TDD1B080A9H3	NOMINAL	1200	0.98	1.01	0.98
	LOW	1050	0.96	0.98	0.97
	HIGH	1350	1.00	1.04	0.99
4CXAC049AC3+TDX1B060A9H3	NOMINAL	1200	0.98	1.01	0.98
	LOW	1050	0.96	0.98	0.97
	HIGH	1350	1.00	1.04	0.99
4CXAC049AC3+TDX1B080A9H3	NOMINAL	1200	0.98	1.01	0.98
	LOW	1050	0.96	0.98	0.97
	HIGH	1350	1.00	1.04	0.99
4CXAC049AC3+TDX1C100A9H4	NOMINAL	1200	0.99	1.03	1.00
	LOW	1050	0.97	1.00	0.99
	HIGH	1350	1.01	1.06	1.01
4CXAC049AC3+TDY060R9V3	NOMINAL	1200	0.99	1.01	0.97
	LOW	1050	0.97	0.98	0.96
	HIGH	1350	1.01	1.04	0.98
4CXAC049AC3+TDY080R9V3	NOMINAL	1200	0.98	1.00	0.97
	LOW	1050	0.96	0.97	0.96
	HIGH	1350	1.00	1.03	0.98
4CXAC049AC3+TDY100R9V4	NOMINAL	1200	0.98	1.01	0.97
	LOW	1050	0.96	0.98	0.96
	HIGH	1350	1.00	1.04	0.98
4CXAC049AC3+TUD060R9V3	NOMINAL	1200	0.98	1.00	0.98
	LOW	1050	0.96	0.97	0.97
	HIGH	1350	1.00	1.03	0.99
4CXAC049AC3+TUD080R9V3	NOMINAL	1200	0.98	1.01	0.98
	LOW	1050	0.96	0.98	0.97
	HIGH	1350	1.00	1.04	0.99
4CXAC049AC3+TUD080R9V4	NOMINAL	1200	0.99	1.01	0.99
	LOW	1050	0.97	0.98	0.98
	HIGH	1350	1.01	1.05	1.00
4CXAC049AC3+TUD100R9V3	NOMINAL	1200	0.97	1.00	0.98
	LOW	1050	0.95	0.97	0.97
	HIGH	1350	0.99	1.03	0.99
4CXAC049AC3+TUD1B060A9H3	NOMINAL	1200	0.98	1.01	0.99
	LOW	1050	0.96	0.98	0.98
	HIGH	1350	1.00	1.04	1.00
4CXAC049AC3+TUD1B080A9H3	NOMINAL	1200	0.98	1.01	0.99
	LOW	1050	0.96	0.98	0.98
	HIGH	1350	1.00	1.05	1.00
4CXAC049AC3+TUD1B100A9H3	NOMINAL	1200	0.98	1.02	0.99
	LOW	1050	0.96	0.99	0.98
	HIGH	1350	1.00	1.05	1.00
4CXAC049AC3+TUX1B060A9H3	NOMINAL	1200	0.97	1.00	0.98
	LOW	1050	0.95	0.97	0.97
	HIGH	1350	0.99	1.03	0.99
4CXAC049AC3+TUX1B080A9H3	NOMINAL	1200	0.98	1.01	0.99
	LOW	1050	0.96	0.98	0.98
	HIGH	1350	1.00	1.04	1.00
4CXAC049AC3+TUY060R9V3	NOMINAL	1200	0.98	1.00	0.97
	LOW	1050	0.96	0.97	0.96
	HIGH	1350	1.00	1.03	0.98



# Performance Data Cooling

## 4TTB3036A1

CORRECTION FACTORS FOR OTHER COMBINATIONS (MULTIPLY DATA BY FACTOR)

INDOOR MODEL		CFM	MBTUH TOT	MBTUH SEN	SYST KW
4CXAC049AC3+TUY080R9V3	NOMINAL	1200	0.99	1.01	0.97
	LOW	1050	0.97	0.98	0.96
	HIGH	1350	1.01	1.04	0.98
4CXAC049AC3+TUY100R9V4	NOMINAL	1200	0.99	1.01	0.98
	LOW	1050	0.97	0.98	0.97
	HIGH	1350	1.01	1.05	0.99
4CXAD050AC3	NOMINAL	1200	0.97	0.99	0.99
	LOW	1050	0.95	0.96	0.98
	HIGH	1350	0.99	1.02	1.00
4CXAD050AC3+TDD060R9V3	NOMINAL	1200	0.98	1.01	0.98
	LOW	1050	0.96	0.98	0.97
	HIGH	1350	1.00	1.04	0.99
4CXAD050AC3+TDD080R9V3	NOMINAL	1200	0.98	1.01	0.98
	LOW	1050	0.96	0.98	0.97
	HIGH	1350	1.00	1.04	0.99
4CXAD050AC3+TDD1B060A9H3	NOMINAL	1200	0.98	1.01	0.98
	LOW	1050	0.96	0.98	0.97
	HIGH	1350	1.00	1.04	0.99
4CXAD050AC3+TDD1B080A9H3	NOMINAL	1200	0.98	1.01	0.98
	LOW	1050	0.96	0.98	0.97
	HIGH	1350	1.00	1.04	0.99
4CXAD050AC3+TDX1B060A9H3	NOMINAL	1200	0.97	1.00	0.98
	LOW	1050	0.95	0.97	0.97
	HIGH	1350	0.99	1.03	0.99
4CXAD050AC3+TDX1B080A9H3	NOMINAL	1200	0.98	1.01	0.98
	LOW	1050	0.96	0.98	0.97
	HIGH	1350	1.00	1.04	0.99
4CXAD050AC3+TDX1C100A9H4	NOMINAL	1200	0.99	1.03	1.00
	LOW	1050	0.97	1.00	0.99
	HIGH	1350	1.01	1.06	1.01
4CXAD050AC3+TDY060R9V3	NOMINAL	1200	0.99	1.01	0.97
	LOW	1050	0.97	0.98	0.96
	HIGH	1350	1.01	1.04	0.98
4CXAD050AC3+TDY080R9V3	NOMINAL	1200	0.98	1.00	0.97
	LOW	1050	0.96	0.97	0.96
	HIGH	1350	1.00	1.03	0.98
4CXAD050AC3+TDY100R9V4	NOMINAL	1200	0.99	1.01	0.98
	LOW	1050	0.97	0.98	0.97
	HIGH	1350	1.01	1.04	0.99
4CXAD050AC3+TUD060R9V3	NOMINAL	1200	0.98	1.00	0.98
	LOW	1050	0.96	0.97	0.97
	HIGH	1350	1.00	1.03	0.99
4CXAD050AC3+TUD080R9V3	NOMINAL	1200	0.98	1.01	0.98
	LOW	1050	0.96	0.98	0.97
	HIGH	1350	1.00	1.04	0.99
4CXAD050AC3+TUD080R9V4	NOMINAL	1200	0.99	1.01	0.99
	LOW	1050	0.97	0.98	0.98
	HIGH	1350	1.01	1.05	1.00
4CXAD050AC3+TUD100R9V3	NOMINAL	1200	0.97	1.00	0.98
	LOW	1050	0.95	0.97	0.97
	HIGH	1350	0.99	1.03	0.99
4CXAD050AC3+TUD1B060A9H3	NOMINAL	1200	0.98	1.01	0.99
	LOW	1050	0.96	0.98	0.98
	HIGH	1350	1.00	1.05	1.00
4CXAD050AC3+TUD1B080A9H3	NOMINAL	1200	0.99	1.02	0.99
	LOW	1050	0.97	0.99	0.98
	HIGH	1350	1.01	1.05	1.00
4CXAD050AC3+TUD1B100A9H3	NOMINAL	1200	0.98	1.01	0.99
	LOW	1050	0.96	0.98	0.98
	HIGH	1350	1.00	1.05	1.00
4CXAD050AC3+TUD1C080A9H4	NOMINAL	1200	0.99	1.02	0.99
	LOW	1050	0.97	0.99	0.98
	HIGH	1350	1.01	1.05	1.00

CORRECTION FACTORS FOR OTHER COMBINATIONS (MULTIPLY DATA BY FACTOR)

INDOOR MODEL		CFM	MBTUH TOT	MBTUH SEN	SYST KW
4CXAD050AC3+TUX1B060A9H3	NOMINAL	1200	0.97	1.00	0.98
	LOW	1050	0.95	0.97	0.97
	HIGH	1350	0.99	1.03	0.99
4CXAD050AC3+TUX1B080A9H3	NOMINAL	1200	0.98	1.01	0.99
	LOW	1050	0.96	0.98	0.98
	HIGH	1350	1.00	1.05	1.00
4CXAD050AC3+TUY060R9V3	NOMINAL	1200	0.98	1.01	0.97
	LOW	1050	0.96	0.98	0.96
	HIGH	1350	1.00	1.04	0.98
4CXAD050AC3+TUY080R9V3	NOMINAL	1200	0.99	1.01	0.97
	LOW	1050	0.97	0.98	0.96
	HIGH	1350	1.01	1.04	0.98
4CXAD050AC3+TUY100R9V4	NOMINAL	1200	0.99	1.01	0.98
	LOW	1050	0.97	0.98	0.97
	HIGH	1350	1.01	1.05	0.99
4CXC036AC3	NOMINAL	1200	0.97	0.97	0.98
	LOW	1050	0.95	0.94	0.97
	HIGH	1350	0.99	1.00	0.99
4CXC036AC3+TDD060R9V3	NOMINAL	1200	0.97	0.99	0.97
	LOW	1050	0.95	0.96	0.96
	HIGH	1350	0.99	1.01	0.98
4CXC036AC3+TDD080R9V3	NOMINAL	1200	0.98	0.99	0.97
	LOW	1050	0.96	0.96	0.96
	HIGH	1350	1.00	1.02	0.98
4CXC036AC3+TDD1B060A9H3	NOMINAL	1200	0.98	0.99	0.97
	LOW	1050	0.96	0.96	0.96
	HIGH	1350	1.00	1.02	0.98
4CXC036AC3+TDD1B080A9H3	NOMINAL	1200	0.98	0.99	0.97
	LOW	1050	0.96	0.96	0.96
	HIGH	1350	1.00	1.02	0.98
4CXC036AC3+TDX1B060A9H3	NOMINAL	1200	0.97	0.99	0.97
	LOW	1050	0.95	0.96	0.96
	HIGH	1350	0.99	1.01	0.98
4CXC036AC3+TDX1B080A9H3	NOMINAL	1200	0.97	0.99	0.97
	LOW	1050	0.95	0.96	0.96
	HIGH	1350	0.99	1.01	0.98
4CXC036AC3+TDX1C100A9H4	NOMINAL	1200	0.98	0.99	0.97
	LOW	1050	0.96	0.96	0.96
	HIGH	1350	1.00	1.02	0.98
4CXC036AC3+TDY060R9V3	NOMINAL	1200	0.97	0.99	0.97
	LOW	1050	0.95	0.96	0.96
	HIGH	1350	0.99	1.01	0.98
4CXC036AC3+TDY080R9V3	NOMINAL	1200	0.97	0.98	0.96
	LOW	1050	0.95	0.95	0.95
	HIGH	1350	0.99	1.01	0.97
4CXC036AC3+TDY100R9V4	NOMINAL	1200	0.98	0.99	0.96
	LOW	1050	0.96	0.96	0.95
	HIGH	1350	1.00	1.02	0.97
4CXC036AC3+TUD060R9V3	NOMINAL	1200	0.97	0.98	0.97
	LOW	1050	0.95	0.95	0.96
	HIGH	1350	0.99	1.01	0.98
4CXC036AC3+TUD080R9V3	NOMINAL	1200	0.97	0.98	0.97
	LOW	1050	0.95	0.95	0.96
	HIGH	1350	0.99	1.01	0.98
4CXC036AC3+TUD080R9V4	NOMINAL	1200	0.98	0.99	0.98
	LOW	1050	0.96	0.96	0.97
	HIGH	1350	1.00	1.02	0.99
4CXC036AC3+TUD100R9V3	NOMINAL	1200	0.96	0.97	0.97
	LOW	1050	0.94	0.94	0.96
	HIGH	1350	0.98	1.00	0.98
4CXC036AC3+TUD1B060A9H3	NOMINAL	1200	0.98	1.00	0.97
	LOW	1050	0.96	0.97	0.96
	HIGH	1350	1.00	1.03	0.98



# Performance Data Cooling

## 4TTB3036A1

**CORRECTION FACTORS FOR OTHER COMBINATIONS (MULTIPLY DATA BY FACTOR)**

INDOOR MODEL		CFM	MBTUH TOT	MBTUH SEN	SYST KW
4CXCBO36AC3+TUD1B080A9H3	NOMINAL	1200	0.98	1.00	0.97
	LOW	1050	0.96	0.97	0.96
	HIGH	1350	1.00	1.03	0.98
4CXCBO36AC3+TUD1B100A9H3	NOMINAL	1200	0.98	1.00	0.97
	LOW	1050	0.96	0.97	0.96
	HIGH	1350	1.00	1.03	0.98
4CXCBO36AC3+TUD1C080A9H4	NOMINAL	1200	0.98	1.00	0.98
	LOW	1050	0.96	0.97	0.97
	HIGH	1350	1.00	1.03	0.99
4CXCBO36AC3+TUX1B060A9H3	NOMINAL	1200	0.97	0.99	0.97
	LOW	1050	0.95	0.96	0.96
	HIGH	1350	0.99	1.01	0.98
4CXCBO36AC3+TUX1B080A9H3	NOMINAL	1200	0.98	0.99	0.97
	LOW	1050	0.96	0.96	0.96
	HIGH	1350	1.00	1.02	0.98
4CXCBO36AC3+TUX1C100A9H4	NOMINAL	1200	0.98	1.00	0.98
	LOW	1050	0.96	0.97	0.97
	HIGH	1350	1.00	1.03	0.99
4CXCBO36AC3+TUY060R9V3	NOMINAL	1200	0.97	0.98	0.96
	LOW	1050	0.95	0.95	0.95
	HIGH	1350	0.99	1.01	0.97
4CXCBO36AC3+TUY080R9V3	NOMINAL	1200	0.98	0.99	0.96
	LOW	1050	0.96	0.96	0.95
	HIGH	1350	1.00	1.01	0.97
4CXCBO36AC3+TUY100R9V4	NOMINAL	1200	0.98	0.99	0.96
	LOW	1050	0.96	0.96	0.95
	HIGH	1350	1.00	1.02	0.97
4CXCBO42AC3+TDD060R9V3	NOMINAL	1200	0.95	0.98	0.95
	LOW	1050	0.93	0.95	0.94
	HIGH	1350	0.97	1.01	0.96
4CXCBO42AC3+TDD080R9V3	NOMINAL	1200	0.96	0.98	0.95
	LOW	1050	0.94	0.95	0.94
	HIGH	1350	0.97	1.01	0.96
4CXCBO42AC3+TDD1B060A9H3	NOMINAL	1200	0.95	0.98	0.95
	LOW	1050	0.93	0.95	0.94
	HIGH	1350	0.97	1.01	0.96
4CXCBO42AC3+TDD1B080A9H3	NOMINAL	1200	0.95	0.98	0.95
	LOW	1050	0.93	0.95	0.94
	HIGH	1350	0.97	1.01	0.96
4CXCBO42AC3+TDX1B060A9H3	NOMINAL	1200	0.95	0.97	0.95
	LOW	1050	0.93	0.94	0.94
	HIGH	1350	0.97	1.00	0.96
4CXCBO42AC3+TDX1B080A9H3	NOMINAL	1200	0.95	0.98	0.96
	LOW	1050	0.93	0.95	0.95
	HIGH	1350	0.97	1.01	0.97
4CXCBO42AC3+TDX1C100A9H4	NOMINAL	1200	0.96	1.00	0.97
	LOW	1050	0.94	0.97	0.96
	HIGH	1350	0.98	1.03	0.98
4CXCBO42AC3+TDY060R9V3	NOMINAL	1200	0.96	0.97	0.94
	LOW	1050	0.94	0.94	0.93
	HIGH	1350	0.97	1.00	0.95
4CXCBO42AC3+TDY080R9V3	NOMINAL	1200	0.95	0.97	0.95
	LOW	1050	0.93	0.94	0.94
	HIGH	1350	0.97	1.00	0.96
4CXCBO42AC3+TDY100R9V4	NOMINAL	1200	0.96	0.97	0.94
	LOW	1050	0.94	0.94	0.93
	HIGH	1350	0.97	1.00	0.95
4CXCBO42AC3+TUD060R9V3	NOMINAL	1200	0.95	0.97	0.96
	LOW	1050	0.93	0.94	0.95
	HIGH	1350	0.97	1.00	0.97
4CXCBO42AC3+TUD080R9V3	NOMINAL	1200	0.95	0.97	0.95
	LOW	1050	0.93	0.94	0.94
	HIGH	1350	0.97	1.00	0.96

**CORRECTION FACTORS FOR OTHER COMBINATIONS (MULTIPLY DATA BY FACTOR)**

INDOOR MODEL		CFM	MBTUH TOT	MBTUH SEN	SYST KW
4CXCBO42AC3+TUD080R9V4	NOMINAL	1200	0.96	0.99	0.96
	LOW	1050	0.94	0.96	0.95
	HIGH	1350	0.98	1.01	0.97
4CXCBO42AC3+TUD100R9V3	NOMINAL	1200	0.95	0.97	0.98
	LOW	1050	0.93	0.94	0.97
	HIGH	1350	0.96	1.00	0.99
4CXCBO42AC3+TUD1B060A9H3	NOMINAL	1200	0.96	0.98	0.96
	LOW	1050	0.94	0.95	0.95
	HIGH	1350	0.97	1.01	0.97
4CXCBO42AC3+TUD1B080A9H3	NOMINAL	1200	0.96	0.99	0.96
	LOW	1050	0.94	0.96	0.95
	HIGH	1350	0.98	1.02	0.97
4CXCBO42AC3+TUD1B100A9H3	NOMINAL	1200	0.96	0.98	0.96
	LOW	1050	0.94	0.95	0.95
	HIGH	1350	0.97	1.01	0.97
4CXCBO42AC3+TUX1B060A9H3	NOMINAL	1200	0.95	0.97	0.96
	LOW	1050	0.93	0.94	0.95
	HIGH	1350	0.97	1.00	0.97
4CXCBO42AC3+TUX1B080A9H3	NOMINAL	1200	0.96	0.98	0.95
	LOW	1050	0.94	0.95	0.94
	HIGH	1350	0.98	1.01	0.96
4CXCBO42AC3+TUX1C100A9H4	NOMINAL	1200	0.96	0.98	0.94
	LOW	1050	0.94	0.94	0.93
	HIGH	1350	0.98	1.01	0.95
4CXCBO42AC3+TUY060R9V3	NOMINAL	1200	0.96	0.97	0.94
	LOW	1050	0.94	0.94	0.93
	HIGH	1350	0.98	1.01	0.95
4CXCBO42AC3+TUY080R9V3	NOMINAL	1200	0.96	0.97	0.94
	LOW	1050	0.94	0.94	0.93
	HIGH	1350	0.98	1.01	0.95
4CXCBO42AC3+TUY100R9V4	NOMINAL	1200	0.96	0.98	0.95
	LOW	1050	0.94	0.95	0.94
	HIGH	1350	0.98	1.01	0.96
4CXCBO48AC3	NOMINAL	1200	0.97	0.99	0.99
	LOW	1050	0.95	0.96	0.98
	HIGH	1350	0.99	1.02	1.00
4CXCBO48AC3+TDD060R9V3	NOMINAL	1200	0.98	1.00	0.98
	LOW	1050	0.96	0.97	0.97
	HIGH	1350	1.00	1.03	0.99
4CXCBO48AC3+TDD080R9V3	NOMINAL	1200	0.98	1.01	0.98
	LOW	1050	0.96	0.98	0.97
	HIGH	1350	1.00	1.04	0.99
4CXCBO48AC3+TDD1B060A9H3	NOMINAL	1200	0.97	1.00	0.98
	LOW	1050	0.95	0.97	0.97
	HIGH	1350	0.99	1.03	0.99
4CXCBO48AC3+TDD1B080A9H3	NOMINAL	1200	0.97	1.00	0.98
	LOW	1050	0.95	0.97	0.97
	HIGH	1350	0.99	1.03	0.99
4CXCBO48AC3+TDX1B060A9H3	NOMINAL	1200	0.98	1.00	0.98
	LOW	1050	0.96	0.97	0.97
	HIGH	1350	1.00	1.03	0.99
4CXCBO48AC3+TDX1B080A9H3	NOMINAL	1200	0.98	1.00	0.98
	LOW	1050	0.96	0.97	0.97
	HIGH	1350	1.00	1.03	0.99
4CXCBO48AC3+TDX1C100A9H4	NOMINAL	1200	0.99	1.02	1.00
	LOW	1050	0.97	0.99	0.99
	HIGH	1350	1.01	1.05	1.01
4CXCBO48AC3+TDY060R9V3	NOMINAL	1200	0.98	1.01	0.97
	LOW	1050	0.96	0.98	0.96
	HIGH	1350	1.00	1.04	0.98
4CXCBO48AC3+TDY080R9V3	NOMINAL	1200	0.98	1.00	0.97
	LOW	1050	0.96	0.97	0.96
	HIGH	1350	1.00	1.03	0.98
4CXCBO48AC3+TDY100R9V4	NOMINAL	1200	0.98	1.00	0.96
	LOW	1050	0.96	0.97	0.95
	HIGH	1350	1.00	1.03	0.97



# Performance Data Cooling

## 4TTB3036A1

**CORRECTION FACTORS FOR OTHER COMBINATIONS (MULTIPLY DATA BY FACTOR)**

INDOOR MODEL		CFM	MBTUH TOT	MBTUH SEN	SYST KW
4CXCB048AC3+TUD060R9V3	NOMINAL	1200	0.97	1.00	0.97
	LOW	1050	0.95	0.97	0.96
	HIGH	1350	0.99	1.03	0.98
4CXCB048AC3+TUD080R9V3	NOMINAL	1200	0.97	1.00	0.97
	LOW	1050	0.95	0.97	0.96
	HIGH	1350	0.99	1.03	0.98
4CXCB048AC3+TUD080R9V4	NOMINAL	1200	0.98	1.01	0.98
	LOW	1050	0.96	0.98	0.97
	HIGH	1350	1.00	1.04	0.99
4CXCB048AC3+TUD100R9V3	NOMINAL	1200	0.97	0.99	0.98
	LOW	1050	0.95	0.96	0.97
	HIGH	1350	0.99	1.02	0.99
4CXCB048AC3+TUD1B060A9H3	NOMINAL	1200	0.98	1.01	0.98
	LOW	1050	0.96	0.98	0.97
	HIGH	1350	1.00	1.04	0.99
4CXCB048AC3+TUD1B080A9H3	NOMINAL	1200	0.98	1.00	0.99
	LOW	1050	0.96	0.97	0.98
	HIGH	1350	1.00	1.03	1.00
4CXCB048AC3+TUD1B100A9H3	NOMINAL	1200	0.98	1.01	0.98
	LOW	1050	0.96	0.98	0.97
	HIGH	1350	1.00	1.04	0.99
4CXCB048AC3+TUD1C080A9H4	NOMINAL	1200	0.98	1.01	1.00
	LOW	1050	0.96	0.98	0.99
	HIGH	1350	1.00	1.05	1.01
4CXCB048AC3+TUX1B060A9H3	NOMINAL	1200	0.97	1.00	0.98
	LOW	1050	0.95	0.97	0.97
	HIGH	1350	0.99	1.03	0.99
4CXCB048AC3+TUX1B080A9H3	NOMINAL	1200	0.97	1.00	0.98
	LOW	1050	0.95	0.97	0.97
	HIGH	1350	0.99	1.03	0.99
4CXCB048AC3+TUY060R9V3	NOMINAL	1200	0.98	1.00	0.97
	LOW	1050	0.96	0.97	0.96
	HIGH	1350	1.00	1.03	0.98
4CXCB048AC3+TUY080R9V3	NOMINAL	1200	0.98	1.00	0.96
	LOW	1050	0.96	0.97	0.95
	HIGH	1350	1.00	1.03	0.97
4CXCB048AC3+TUY100R9V4	NOMINAL	1200	0.98	1.01	0.97
	LOW	1050	0.96	0.98	0.96
	HIGH	1350	1.00	1.04	0.98
4CXCC037AC3	NOMINAL	1200	0.97	0.97	0.98
	LOW	1050	0.95	0.94	0.97
	HIGH	1350	0.99	1.00	0.99
4CXCC037AC3+TDD060R9V3	NOMINAL	1200	0.97	0.99	0.97
	LOW	1050	0.95	0.96	0.96
	HIGH	1350	0.99	1.02	0.98
4CXCC037AC3+TDD080R9V3	NOMINAL	1200	0.98	0.99	0.97
	LOW	1050	0.96	0.96	0.96
	HIGH	1350	1.00	1.02	0.98
4CXCC037AC3+TDD1B060A9H3	NOMINAL	1200	0.98	1.00	0.97
	LOW	1050	0.96	0.97	0.96
	HIGH	1350	1.00	1.03	0.98
4CXCC037AC3+TDD1B080A9H3	NOMINAL	1200	0.98	1.00	0.97
	LOW	1050	0.96	0.97	0.96
	HIGH	1350	1.00	1.03	0.98
4CXCC037AC3+TDX1B060A9H3	NOMINAL	1200	0.98	0.99	0.97
	LOW	1050	0.96	0.96	0.96
	HIGH	1350	1.00	1.02	0.98
4CXCC037AC3+TDX1B080A9H3	NOMINAL	1200	0.97	0.99	0.97
	LOW	1050	0.95	0.96	0.96
	HIGH	1350	0.99	1.01	0.98
4CXCC037AC3+TDX1C100A9H4	NOMINAL	1200	0.98	1.00	0.97
	LOW	1050	0.96	0.97	0.96
	HIGH	1350	1.00	1.03	0.98

**CORRECTION FACTORS FOR OTHER COMBINATIONS (MULTIPLY DATA BY FACTOR)**

INDOOR MODEL		CFM	MBTUH TOT	MBTUH SEN	SYST KW
4CXCC037AC3+TDY060R9V3	NOMINAL	1200	0.98	0.99	0.97
	LOW	1050	0.96	0.96	0.96
	HIGH	1350	1.00	1.02	0.98
4CXCC037AC3+TDY080R9V3	NOMINAL	1200	0.97	0.99	0.97
	LOW	1050	0.95	0.96	0.96
	HIGH	1350	0.99	1.01	0.98
4CXCC037AC3+TDY100R9V4	NOMINAL	1200	0.98	0.99	0.96
	LOW	1050	0.96	0.96	0.95
	HIGH	1350	1.00	1.02	0.97
4CXCC037AC3+TUD060R9V3	NOMINAL	1200	0.97	0.98	0.97
	LOW	1050	0.95	0.95	0.96
	HIGH	1350	0.99	1.01	0.98
4CXCC037AC3+TUD080R9V3	NOMINAL	1200	0.98	0.99	0.97
	LOW	1050	0.96	0.96	0.96
	HIGH	1350	1.00	1.02	0.98
4CXCC037AC3+TUD080R9V4	NOMINAL	1200	0.98	1.00	0.98
	LOW	1050	0.96	0.97	0.97
	HIGH	1350	1.00	1.03	0.99
4CXCC037AC3+TUD100R9V3	NOMINAL	1200	0.96	0.98	0.97
	LOW	1050	0.94	0.95	0.96
	HIGH	1350	0.98	1.01	0.98
4CXCC037AC3+TUD1B060A9H3	NOMINAL	1200	0.98	1.00	0.98
	LOW	1050	0.96	0.97	0.97
	HIGH	1350	1.00	1.03	0.99
4CXCC037AC3+TUD1B080A9H3	NOMINAL	1200	0.99	1.00	0.98
	LOW	1050	0.97	0.97	0.97
	HIGH	1350	1.01	1.03	0.99
4CXCC037AC3+TUD1B100A9H3	NOMINAL	1200	0.98	1.00	0.97
	LOW	1050	0.96	0.97	0.96
	HIGH	1350	1.00	1.03	0.98
4CXCC037AC3+TUD1C080A9H4	NOMINAL	1200	0.98	1.00	0.98
	LOW	1050	0.96	0.97	0.97
	HIGH	1350	1.00	1.03	0.99
4CXCC037AC3+TUX1B060A9H3	NOMINAL	1200	0.98	0.99	0.97
	LOW	1050	0.96	0.96	0.96
	HIGH	1350	1.00	1.02	0.98
4CXCC037AC3+TUX1B080A9H3	NOMINAL	1200	0.98	1.00	0.97
	LOW	1050	0.96	0.97	0.96
	HIGH	1350	1.00	1.03	0.98
4CXCC037AC3+TUX1C100A9H4	NOMINAL	1200	0.98	1.00	0.98
	LOW	1050	0.96	0.97	0.97
	HIGH	1350	1.00	1.03	0.99
4CXCC037AC3+TUY060R9V3	NOMINAL	1200	0.98	0.99	0.96
	LOW	1050	0.96	0.96	0.95
	HIGH	1350	1.00	1.01	0.97
4CXCC037AC3+TUY080R9V3	NOMINAL	1200	0.98	0.99	0.97
	LOW	1050	0.96	0.96	0.96
	HIGH	1350	1.00	1.02	0.98
4CXCC037AC3+TUY100R9V4	NOMINAL	1200	0.98	1.00	0.97
	LOW	1050	0.96	0.97	0.96
	HIGH	1350	1.00	1.03	0.98
4CXCC043AC3+TUY060R9V3	NOMINAL	1200	0.96	0.98	0.95
	LOW	1050	0.94	0.95	0.94
	HIGH	1350	0.98	1.01	0.96
4CXCC043AC3+TUY080R9V3	NOMINAL	1200	0.96	0.98	0.94
	LOW	1050	0.94	0.95	0.93
	HIGH	1350	0.98	1.01	0.95
4CXCC043AC3+TUY100R9V4	NOMINAL	1200	0.96	0.98	0.95
	LOW	1050	0.94	0.95	0.94
	HIGH	1350	0.98	1.01	0.96
4CXCC049AC3	NOMINAL	1200	0.97	0.99	0.99
	LOW	1050	0.95	0.96	0.98
	HIGH	1350	0.99	1.02	1.00



# Performance Data Cooling

## 4TTB3036A1

CORRECTION FACTORS FOR OTHER COMBINATIONS (MULTIPLY DATA BY FACTOR)

INDOOR MODEL		CFM	MBTUH TOT	MBTUH SEN	SYST KW
4CXCD050AC3	NOMINAL	1200	0.97	0.99	0.99
	LOW	1050	0.95	0.96	0.98
	HIGH	1350	0.99	1.02	1.00
4TEC3F36A1	NOMINAL	1200	0.95	0.94	0.97
	LOW	1050	0.93	0.91	0.96
	HIGH	1350	0.97	0.97	0.98
4TEC3F42A1	NOMINAL	1200	0.98	0.98	1.01
	LOW	1050	0.96	0.95	1.00
	HIGH	1350	1.00	1.01	1.02
4TEE3F37A1	NOMINAL	1200	0.98	0.97	0.97
	LOW	1050	0.96	0.94	0.96
	HIGH	1350	1.00	1.00	0.98
4TEE3F40A1	NOMINAL	1200	1.02	1.03	1.03
	LOW	1050	1.00	1.00	1.02
	HIGH	1350	1.04	1.06	1.04
4TEE3F49A1	NOMINAL	1200	1.02	1.04	1.02
	LOW	1050	1.00	1.01	1.01
	HIGH	1350	1.04	1.08	1.03
4TEP3F42A1	NOMINAL	1200	0.97	0.97	0.99
	LOW	1050	0.95	0.94	0.98
	HIGH	1350	0.99	1.00	1.00
4TXCB031AS3	NOMINAL	1200	0.96	0.96	0.97
	LOW	1050	0.94	0.93	0.96
	HIGH	1350	0.98	0.98	0.98
4TXCB036AC3+TDD060R9V3	NOMINAL	1200	0.97	0.99	0.97
	LOW	1050	0.95	0.96	0.96
	HIGH	1350	0.99	1.01	0.98
4TXCB036AC3+TDD080R9V3	NOMINAL	1200	0.98	0.99	0.97
	LOW	1050	0.96	0.96	0.96
	HIGH	1350	1.00	1.02	0.98
4TXCB036AC3+TDD1B060A9H3	NOMINAL	1200	0.98	0.99	0.97
	LOW	1050	0.96	0.96	0.96
	HIGH	1350	1.00	1.02	0.98
4TXCB036AC3+TDD1B080A9H3	NOMINAL	1200	0.98	0.99	0.97
	LOW	1050	0.96	0.96	0.96
	HIGH	1350	1.00	1.02	0.98
4TXCB036AC3+TDX1B060A9H3	NOMINAL	1200	0.97	0.99	0.97
	LOW	1050	0.95	0.96	0.96
	HIGH	1350	0.99	1.01	0.98
4TXCB036AC3+TDX1B080A9H3	NOMINAL	1200	0.97	0.99	0.97
	LOW	1050	0.95	0.96	0.96
	HIGH	1350	0.99	1.01	0.98
4TXCB036AC3+TDX1C100A9H4	NOMINAL	1200	0.98	0.99	0.97
	LOW	1050	0.96	0.96	0.96
	HIGH	1350	1.00	1.02	0.98
4TXCB036AC3+TDY060R9V3	NOMINAL	1200	0.98	0.99	0.97
	LOW	1050	0.96	0.96	0.96
	HIGH	1350	1.00	1.02	0.98
4TXCB036AC3+TDY080R9V3	NOMINAL	1200	0.97	0.98	0.96
	LOW	1050	0.95	0.95	0.95
	HIGH	1350	0.99	1.01	0.97
4TXCB036AC3+TDY100R9V4	NOMINAL	1200	0.98	0.99	0.96
	LOW	1050	0.96	0.96	0.95
	HIGH	1350	1.00	1.02	0.97
4TXCB036AC3+TUD060R9V3	NOMINAL	1200	0.97	0.98	0.97
	LOW	1050	0.95	0.95	0.96
	HIGH	1350	0.99	1.01	0.98
4TXCB036AC3+TUD080R9V3	NOMINAL	1200	0.97	0.98	0.97
	LOW	1050	0.95	0.95	0.96
	HIGH	1350	0.99	1.01	0.98
4TXCB036AC3+TUD080R9V4	NOMINAL	1200	0.98	0.99	0.98
	LOW	1050	0.96	0.96	0.97
	HIGH	1350	1.00	1.02	0.99

CORRECTION FACTORS FOR OTHER COMBINATIONS (MULTIPLY DATA BY FACTOR)

INDOOR MODEL		CFM	MBTUH TOT	MBTUH SEN	SYST KW
4TXCB036AC3+TUD100R9V3	NOMINAL	1200	0.96	0.97	0.97
	LOW	1050	0.94	0.94	0.96
	HIGH	1350	0.98	1.00	0.98
4TXCB036AC3+TUD1B060A9H3	NOMINAL	1200	0.98	1.00	0.97
	LOW	1050	0.96	0.97	0.96
	HIGH	1350	1.00	1.03	0.98
4TXCB036AC3+TUD1B080A9H3	NOMINAL	1200	0.98	1.00	0.97
	LOW	1050	0.96	0.97	0.96
	HIGH	1350	1.00	1.03	0.98
4TXCB036AC3+TUD1B100A9H3	NOMINAL	1200	0.98	1.00	0.97
	LOW	1050	0.96	0.97	0.96
	HIGH	1350	1.00	1.03	0.98
4TXCB036AC3+TUD1C080A9H4	NOMINAL	1200	0.98	1.00	0.98
	LOW	1050	0.96	0.97	0.97
	HIGH	1350	1.00	1.03	0.99
4TXCB036AC3+TUX1B060A9H3	NOMINAL	1200	0.97	0.99	0.97
	LOW	1050	0.95	0.96	0.96
	HIGH	1350	0.99	1.01	0.98
4TXCB036AC3+TUX1B080A9H3	NOMINAL	1200	0.98	0.99	0.97
	LOW	1050	0.96	0.96	0.96
	HIGH	1350	1.00	1.02	0.98
4TXCB036AC3+TUX1C100A9H4	NOMINAL	1200	0.98	1.00	0.98
	LOW	1050	0.96	0.97	0.97
	HIGH	1350	1.00	1.03	0.99
4TXCB036AC3+TUY060R9V3	NOMINAL	1200	0.97	0.98	0.96
	LOW	1050	0.95	0.95	0.95
	HIGH	1350	0.99	1.01	0.97
4TXCB036AS3	NOMINAL	1200	0.98	1.00	0.99
	LOW	1050	0.96	0.97	0.98
	HIGH	1350	1.00	1.03	1.00
4TXCB036AS3+TDD060R9V3	NOMINAL	1200	0.98	1.01	0.99
	LOW	1050	0.96	0.98	0.98
	HIGH	1350	1.00	1.04	1.00
4TXCB036AS3+TDD080R9V3	NOMINAL	1200	0.99	1.01	0.98
	LOW	1050	0.97	0.98	0.97
	HIGH	1350	1.01	1.04	0.99
4TXCB036AS3+TDD1B060A9H3	NOMINAL	1200	0.99	1.01	0.98
	LOW	1050	0.97	0.98	0.97
	HIGH	1350	1.01	1.05	0.99
4TXCB036AS3+TDD1B080A9H3	NOMINAL	1200	0.99	1.01	0.98
	LOW	1050	0.97	0.98	0.97
	HIGH	1350	1.01	1.05	0.99
4TXCB036AS3+TDX1B060A9H3	NOMINAL	1200	0.98	1.01	0.99
	LOW	1050	0.96	0.98	0.98
	HIGH	1350	1.00	1.04	1.00
4TXCB036AS3+TDX1B080A9H3	NOMINAL	1200	0.98	1.01	0.99
	LOW	1050	0.96	0.98	0.98
	HIGH	1350	1.00	1.04	1.00
4TXCB036AS3+TDY060R9V3	NOMINAL	1200	0.99	1.01	0.97
	LOW	1050	0.97	0.98	0.96
	HIGH	1350	1.01	1.04	0.98
4TXCB036AS3+TDY080R9V3	NOMINAL	1200	0.99	1.00	0.97
	LOW	1050	0.97	0.97	0.96
	HIGH	1350	1.01	1.03	0.98
4TXCB036AS3+TUD060R9V3	NOMINAL	1200	0.98	1.01	0.98
	LOW	1050	0.96	0.98	0.97
	HIGH	1350	1.00	1.04	0.99
4TXCB036AS3+TUD080R9V3	NOMINAL	1200	0.98	1.00	0.98
	LOW	1050	0.96	0.97	0.97
	HIGH	1350	1.00	1.03	0.99
4TXCB036AS3+TUD100R9V3	NOMINAL	1200	0.97	1.00	0.98
	LOW	1050	0.95	0.97	0.97
	HIGH	1350	0.99	1.03	0.99



# Performance Data Cooling

## 4TTB3036A1

CORRECTION FACTORS FOR OTHER COMBINATIONS (MULTIPLY DATA BY FACTOR)

INDOOR MODEL		CFM	MBTUH TOT	MBTUH SEN	SYST KW
4TXCB036AS3+TUD1B060A9H3	NOMINAL	1200	1.00	1.02	0.99
	LOW	1050	0.98	0.99	0.98
	HIGH	1350	1.02	1.05	1.00
4TXCB036AS3+TUD1B080A9H3	NOMINAL	1200	1.00	1.02	0.99
	LOW	1050	0.98	0.99	0.98
	HIGH	1350	1.02	1.05	1.00
4TXCB036AS3+TUD1B100A9H3	NOMINAL	1200	1.00	1.02	0.99
	LOW	1050	0.98	0.99	0.98
	HIGH	1350	1.02	1.05	1.00
4TXCB036AS3+TUX1B060A9H3	NOMINAL	1200	0.99	1.01	0.98
	LOW	1050	0.97	0.98	0.97
	HIGH	1350	1.01	1.04	0.99
4TXCB036AS3+TUX1B080A9H3	NOMINAL	1200	0.99	1.01	0.98
	LOW	1050	0.97	0.98	0.97
	HIGH	1350	1.01	1.05	0.99
4TXCB036AS3+TUY060R9V3	NOMINAL	1200	0.99	1.01	0.98
	LOW	1050	0.97	0.98	0.97
	HIGH	1350	1.01	1.04	0.99
4TXCB036AS3+TUY080R9V3	NOMINAL	1200	0.99	1.01	0.97
	LOW	1050	0.97	0.98	0.96
	HIGH	1350	1.01	1.04	0.98
4TXCB042AC3+TDD060R9V3	NOMINAL	1200	0.95	0.98	0.95
	LOW	1050	0.93	0.95	0.94
	HIGH	1350	0.97	1.01	0.96
4TXCB042AC3+TDD080R9V3	NOMINAL	1200	0.96	0.98	0.95
	LOW	1050	0.94	0.95	0.94
	HIGH	1350	0.97	1.01	0.96
4TXCB042AC3+TDD1B060A9H3	NOMINAL	1200	0.95	0.98	0.95
	LOW	1050	0.93	0.95	0.94
	HIGH	1350	0.97	1.01	0.96
4TXCB042AC3+TDD1B080A9H3	NOMINAL	1200	0.95	0.98	0.95
	LOW	1050	0.93	0.95	0.94
	HIGH	1350	0.97	1.01	0.96
4TXCB042AC3+TDX1B060A9H3	NOMINAL	1200	0.95	0.97	0.95
	LOW	1050	0.93	0.94	0.94
	HIGH	1350	0.97	1.00	0.96
4TXCB042AC3+TDX1B080A9H3	NOMINAL	1200	0.95	0.98	0.96
	LOW	1050	0.93	0.95	0.95
	HIGH	1350	0.97	1.01	0.97
4TXCB042AC3+TDX1C100A9H4	NOMINAL	1200	0.96	1.00	0.97
	LOW	1050	0.94	0.97	0.96
	HIGH	1350	0.98	1.03	0.98
4TXCB042AC3+TDY060R9V3	NOMINAL	1200	0.96	0.97	0.94
	LOW	1050	0.94	0.94	0.93
	HIGH	1350	0.97	1.00	0.95
4TXCB042AC3+TDY080R9V3	NOMINAL	1200	0.95	0.97	0.95
	LOW	1050	0.93	0.94	0.94
	HIGH	1350	0.97	1.00	0.96
4TXCB042AC3+TDY100R9V4	NOMINAL	1200	0.96	0.97	0.94
	LOW	1050	0.94	0.94	0.93
	HIGH	1350	0.97	1.00	0.95
4TXCB042AC3+TUD060R9V3	NOMINAL	1200	0.95	0.97	0.97
	LOW	1050	0.93	0.94	0.96
	HIGH	1350	0.97	1.00	0.98
4TXCB042AC3+TUD080R9V3	NOMINAL	1200	0.95	0.97	0.95
	LOW	1050	0.93	0.94	0.94
	HIGH	1350	0.97	1.00	0.96
4TXCB042AC3+TUD080R9V4	NOMINAL	1200	0.96	0.99	0.96
	LOW	1050	0.94	0.96	0.95
	HIGH	1350	0.98	1.01	0.97
4TXCB042AC3+TUD100R9V3	NOMINAL	1200	0.95	0.97	0.97
	LOW	1050	0.93	0.94	0.96
	HIGH	1350	0.96	1.00	0.98

CORRECTION FACTORS FOR OTHER COMBINATIONS (MULTIPLY DATA BY FACTOR)

INDOOR MODEL		CFM	MBTUH TOT	MBTUH SEN	SYST KW
4TXCB042AC3+TUD1B060A9H3	NOMINAL	1200	0.96	0.98	0.96
	LOW	1050	0.94	0.95	0.95
	HIGH	1350	0.97	1.01	0.97
4TXCB042AC3+TUD1B080A9H3	NOMINAL	1200	0.96	0.99	0.96
	LOW	1050	0.94	0.96	0.95
	HIGH	1350	0.98	1.02	0.97
4TXCB042AC3+TUD1B100A9H3	NOMINAL	1200	0.96	0.98	0.96
	LOW	1050	0.94	0.95	0.95
	HIGH	1350	0.97	1.01	0.97
4TXCB042AC3+TUX1B060A9H3	NOMINAL	1200	0.95	0.97	0.96
	LOW	1050	0.93	0.94	0.95
	HIGH	1350	0.97	1.00	0.97
4TXCB042AC3+TUX1B080A9H3	NOMINAL	1200	0.96	0.98	0.95
	LOW	1050	0.94	0.95	0.94
	HIGH	1350	0.98	1.01	0.96
4TXCB042AC3+TUY060R9V3	NOMINAL	1200	0.96	0.97	0.94
	LOW	1050	0.94	0.94	0.93
	HIGH	1350	0.98	1.00	0.95
4TXCB042AC3+TUY080R9V3	NOMINAL	1200	0.96	0.98	0.94
	LOW	1050	0.94	0.95	0.93
	HIGH	1350	0.98	1.01	0.95
4TXCB042AC3+TUY100R9V4	NOMINAL	1200	0.96	0.98	0.95
	LOW	1050	0.94	0.95	0.94
	HIGH	1350	0.98	1.01	0.96
4TXCB048AC3	NOMINAL	1200	0.97	0.99	0.99
	LOW	1050	0.95	0.96	0.98
	HIGH	1350	0.99	1.02	1.00
4TXCB048AC3+TDD060R9V3	NOMINAL	1200	0.98	1.00	0.98
	LOW	1050	0.96	0.97	0.97
	HIGH	1350	1.00	1.03	0.99
4TXCB048AC3+TDD080R9V3	NOMINAL	1200	0.98	1.01	0.98
	LOW	1050	0.96	0.98	0.97
	HIGH	1350	1.00	1.04	0.99
4TXCB048AC3+TDD1B060A9H3	NOMINAL	1200	0.97	1.00	0.98
	LOW	1050	0.95	0.97	0.97
	HIGH	1350	0.99	1.03	0.99
4TXCB048AC3+TDD1B080A9H3	NOMINAL	1200	0.97	1.00	0.98
	LOW	1050	0.95	0.97	0.97
	HIGH	1350	0.99	1.03	0.99
4TXCB048AC3+TDX1B060A9H3	NOMINAL	1200	0.98	1.00	0.98
	LOW	1050	0.96	0.97	0.97
	HIGH	1350	1.00	1.03	0.99
4TXCB048AC3+TDX1B080A9H3	NOMINAL	1200	0.98	1.00	0.98
	LOW	1050	0.96	0.97	0.97
	HIGH	1350	1.00	1.03	0.99
4TXCB048AC3+TDX1C100A9H4	NOMINAL	1200	0.99	1.02	1.00
	LOW	1050	0.97	0.99	0.99
	HIGH	1350	1.01	1.05	1.01
4TXCB048AC3+TDY060R9V3	NOMINAL	1200	0.98	1.01	0.97
	LOW	1050	0.96	0.98	0.96
	HIGH	1350	1.00	1.04	0.98
4TXCB048AC3+TDY080R9V3	NOMINAL	1200	0.98	1.00	0.97
	LOW	1050	0.96	0.97	0.96
	HIGH	1350	1.00	1.03	0.98
4TXCB048AC3+TDY100R9V4	NOMINAL	1200	0.98	1.00	0.96
	LOW	1050	0.96	0.97	0.95
	HIGH	1350	1.00	1.03	0.97
4TXCB048AC3+TUD060R9V3	NOMINAL	1200	0.97	1.00	0.97
	LOW	1050	0.95	0.97	0.96
	HIGH	1350	0.99	1.03	0.98
4TXCB048AC3+TUD080R9V3	NOMINAL	1200	0.97	1.00	0.97
	LOW	1050	0.95	0.97	0.96
	HIGH	1350	0.99	1.03	0.98



# Performance Data Cooling

## 4TTB3036A1

**CORRECTION FACTORS FOR OTHER COMBINATIONS (MULTIPLY DATA BY FACTOR)**

INDOOR MODEL		CFM	MBTUH TOT	MBTUH SEN	SYST KW
4TXCB048AC3+TUD080R9V4	NOMINAL	1200	0.98	1.01	0.98
	LOW	1050	0.96	0.98	0.97
	HIGH	1350	1.00	1.04	0.99
4TXCB048AC3+TUD100R9V3	NOMINAL	1200	0.97	0.99	0.98
	LOW	1050	0.95	0.96	0.97
	HIGH	1350	0.99	1.02	0.99
4TXCB048AC3+TUD1B060A9H3	NOMINAL	1200	0.98	1.01	0.98
	LOW	1050	0.96	0.98	0.97
	HIGH	1350	1.00	1.04	0.99
4TXCB048AC3+TUD1B080A9H3	NOMINAL	1200	0.98	1.00	0.99
	LOW	1050	0.96	0.97	0.98
	HIGH	1350	1.00	1.03	1.00
4TXCB048AC3+TUD1B100A9H3	NOMINAL	1200	0.98	1.01	0.98
	LOW	1050	0.96	0.98	0.97
	HIGH	1350	1.00	1.04	0.99
4TXCB048AC3+TUD1C080A9H4	NOMINAL	1200	0.98	1.01	1.00
	LOW	1050	0.96	0.98	0.99
	HIGH	1350	1.00	1.05	1.01
4TXCB048AC3+TUX1B060A9H3	NOMINAL	1200	0.97	1.00	0.98
	LOW	1050	0.95	0.97	0.97
	HIGH	1350	0.99	1.03	0.99
4TXCB048AC3+TUX1B080A9H3	NOMINAL	1200	0.97	1.00	0.98
	LOW	1050	0.95	0.97	0.97
	HIGH	1350	0.99	1.03	0.99
4TXCB048AC3+TUY060R9V3	NOMINAL	1200	0.98	1.00	0.97
	LOW	1050	0.96	0.97	0.96
	HIGH	1350	1.00	1.03	0.98
4TXCB048AC3+TUY080R9V3	NOMINAL	1200	0.98	1.00	0.96
	LOW	1050	0.96	0.97	0.95
	HIGH	1350	1.00	1.03	0.97
4TXCB048AC3+TUY100R9V4	NOMINAL	1200	0.98	1.01	0.97
	LOW	1050	0.96	0.98	0.96
	HIGH	1350	1.00	1.04	0.98
4TXCC037AC3	NOMINAL	1200	0.97	0.97	0.98
	LOW	1050	0.95	0.94	0.97
	HIGH	1350	0.99	1.00	0.99
4TXCC037AC3+TDD060R9V3	NOMINAL	1200	0.97	0.99	0.97
	LOW	1050	0.95	0.96	0.96
	HIGH	1350	0.99	1.02	0.98
4TXCC037AC3+TDD080R9V3	NOMINAL	1200	0.98	0.99	0.97
	LOW	1050	0.96	0.96	0.96
	HIGH	1350	1.00	1.02	0.98
4TXCC037AC3+TDD1B060A9H3	NOMINAL	1200	0.98	1.00	0.97
	LOW	1050	0.96	0.97	0.96
	HIGH	1350	1.00	1.03	0.98
4TXCC037AC3+TDD1B080A9H3	NOMINAL	1200	0.98	1.00	0.97
	LOW	1050	0.96	0.97	0.96
	HIGH	1350	1.00	1.03	0.98
4TXCC037AC3+TDX1B060A9H3	NOMINAL	1200	0.98	0.99	0.97
	LOW	1050	0.96	0.96	0.96
	HIGH	1350	1.00	1.02	0.98
4TXCC037AC3+TDX1B080A9H3	NOMINAL	1200	0.97	0.99	0.97
	LOW	1050	0.95	0.96	0.96
	HIGH	1350	0.99	1.01	0.98
4TXCC037AC3+TDX1C100A9H4	NOMINAL	1200	0.98	1.00	0.97
	LOW	1050	0.96	0.97	0.96
	HIGH	1350	1.00	1.03	0.98
4TXCC037AC3+TDY060R9V3	NOMINAL	1200	0.98	0.99	0.97
	LOW	1050	0.96	0.96	0.96
	HIGH	1350	1.00	1.02	0.98
4TXCC037AC3+TDY080R9V3	NOMINAL	1200	0.97	0.99	0.97
	LOW	1050	0.95	0.96	0.96
	HIGH	1350	0.99	1.01	0.98

**CORRECTION FACTORS FOR OTHER COMBINATIONS (MULTIPLY DATA BY FACTOR)**

INDOOR MODEL		CFM	MBTUH TOT	MBTUH SEN	SYST KW
4TXCC037AC3+TDY100R9V4	NOMINAL	1200	0.98	0.99	0.96
	LOW	1050	0.96	0.96	0.95
	HIGH	1350	1.00	1.02	0.97
4TXCC037AC3+TUD060R9V3	NOMINAL	1200	0.97	0.98	0.97
	LOW	1050	0.95	0.95	0.96
	HIGH	1350	0.99	1.01	0.98
4TXCC037AC3+TUD080R9V3	NOMINAL	1200	0.98	0.99	0.97
	LOW	1050	0.96	0.96	0.96
	HIGH	1350	1.00	1.02	0.98
4TXCC037AC3+TUD080R9V4	NOMINAL	1200	0.98	1.00	0.98
	LOW	1050	0.96	0.97	0.97
	HIGH	1350	1.00	1.03	0.99
4TXCC037AC3+TUD100R9V3	NOMINAL	1200	0.96	0.98	0.97
	LOW	1050	0.94	0.95	0.96
	HIGH	1350	0.98	1.01	0.98
4TXCC037AC3+TUD1B060A9H3	NOMINAL	1200	0.98	1.00	0.98
	LOW	1050	0.96	0.97	0.97
	HIGH	1350	1.00	1.03	0.99
4TXCC037AC3+TUD1B080A9H3	NOMINAL	1200	0.99	1.00	0.98
	LOW	1050	0.97	0.97	0.97
	HIGH	1350	1.01	1.03	0.99
4TXCC037AC3+TUD1B100A9H3	NOMINAL	1200	0.98	1.00	0.97
	LOW	1050	0.96	0.97	0.96
	HIGH	1350	1.00	1.03	0.98
4TXCC037AC3+TUD1C080A9H4	NOMINAL	1200	0.98	1.00	0.98
	LOW	1050	0.96	0.97	0.97
	HIGH	1350	1.00	1.03	0.99
4TXCC037AC3+TUX1B060A9H3	NOMINAL	1200	0.98	0.99	0.97
	LOW	1050	0.96	0.96	0.96
	HIGH	1350	1.00	1.02	0.98
4TXCC037AC3+TUX1B080A9H3	NOMINAL	1200	0.98	1.00	0.97
	LOW	1050	0.96	0.97	0.96
	HIGH	1350	1.00	1.03	0.98
4TXCC037AC3+TUX1C100A9H4	NOMINAL	1200	0.98	1.00	0.98
	LOW	1050	0.96	0.97	0.97
	HIGH	1350	1.00	1.03	0.99
4TXCC037AC3+TUY060R9V3	NOMINAL	1200	0.98	0.99	0.96
	LOW	1050	0.96	0.96	0.95
	HIGH	1350	1.00	1.01	0.97
4TXCC037AC3+TUY080R9V3	NOMINAL	1200	0.98	0.99	0.97
	LOW	1050	0.96	0.96	0.96
	HIGH	1350	1.00	1.02	0.98
4TXCC037AC3+TUY100R9V4	NOMINAL	1200	0.98	1.00	0.97
	LOW	1050	0.96	0.97	0.96
	HIGH	1350	1.00	1.03	0.98
4TXCC037AS3	NOMINAL	1200	0.99	1.00	1.01
	LOW	1050	0.97	0.97	1.00
	HIGH	1350	1.01	1.03	1.02
4TXCC037AS3+TDD100R9V5	NOMINAL	1200	1.01	1.03	1.01
	LOW	1050	0.99	1.00	1.00
	HIGH	1350	1.03	1.06	1.02
4TXCC037AS3+TDX1C100A9H4	NOMINAL	1200	1.01	1.03	1.00
	LOW	1050	0.99	1.00	0.99
	HIGH	1350	1.03	1.06	1.01
4TXCC037AS3+TDY100R9V4	NOMINAL	1200	1.01	1.02	0.99
	LOW	1050	0.99	0.99	0.98
	HIGH	1350	1.03	1.05	1.00
4TXCC037AS3+TUD080R9V3	NOMINAL	1200	0.99	1.01	0.99
	LOW	1050	0.97	0.98	0.98
	HIGH	1350	1.01	1.04	1.00
4TXCC037AS3+TUD080R9V4	NOMINAL	1200	1.01	1.03	1.01
	LOW	1050	0.99	1.00	1.00
	HIGH	1350	1.03	1.06	1.02



# Performance Data Cooling

## 4TTB3036A1

**CORRECTION FACTORS FOR OTHER COMBINATIONS (MULTIPLY DATA BY FACTOR)**

INDOOR MODEL		CFM	MBTUH TOT	MBTUH SEN	SYST KW
4TXCC037AS3+TUD100R9V5	NOMINAL	1200	1.00	1.02	1.00
	LOW	1050	0.98	0.99	0.99
	HIGH	1350	1.02	1.05	1.01
4TXCC037AS3+TUD1B080A9H3	NOMINAL	1200	1.01	1.03	1.00
	LOW	1050	0.99	1.00	0.99
	HIGH	1350	1.03	1.06	1.01
4TXCC037AS3+TUD1C080A9H4	NOMINAL	1200	1.01	1.03	1.01
	LOW	1050	0.99	1.00	1.00
	HIGH	1350	1.03	1.06	1.02
4TXCC037AS3+TUX1C100A9H4	NOMINAL	1200	1.00	1.03	1.00
	LOW	1050	0.98	1.00	0.99
	HIGH	1350	1.02	1.06	1.01
4TXCC037AS3+TUY100R9V4	NOMINAL	1200	1.01	1.02	0.99
	LOW	1050	0.99	0.99	0.98
	HIGH	1350	1.03	1.05	1.00
4TXCC043AC3+TDD060R9V3	NOMINAL	1200	0.96	0.98	0.96
	LOW	1050	0.94	0.95	0.95
	HIGH	1350	0.97	1.01	0.97
4TXCC043AC3+TDD080R9V3	NOMINAL	1200	0.96	0.99	0.95
	LOW	1050	0.94	0.96	0.94
	HIGH	1350	0.98	1.01	0.96
4TXCC043AC3+TDD1B060A9H3	NOMINAL	1200	0.96	0.98	0.96
	LOW	1050	0.94	0.95	0.95
	HIGH	1350	0.97	1.01	0.97
4TXCC043AC3+TDD1B080A9H3	NOMINAL	1200	0.96	0.98	0.96
	LOW	1050	0.94	0.95	0.95
	HIGH	1350	0.97	1.01	0.97
4TXCC043AC3+TDX1B060A9H3	NOMINAL	1200	0.95	0.98	0.96
	LOW	1050	0.93	0.95	0.95
	HIGH	1350	0.97	1.01	0.97
4TXCC043AC3+TDX1B080A9H3	NOMINAL	1200	0.95	0.98	0.95
	LOW	1050	0.93	0.95	0.94
	HIGH	1350	0.97	1.01	0.96
4TXCC043AC3+TDX1C100A9H4	NOMINAL	1200	0.96	1.00	0.98
	LOW	1050	0.94	0.97	0.97
	HIGH	1350	0.98	1.03	0.99
4TXCC043AC3+TDY060R9V3	NOMINAL	1200	0.96	0.98	0.94
	LOW	1050	0.94	0.95	0.93
	HIGH	1350	0.98	1.01	0.95
4TXCC043AC3+TDY080R9V3	NOMINAL	1200	0.95	0.97	0.94
	LOW	1050	0.93	0.94	0.93
	HIGH	1350	0.97	1.00	0.95
4TXCC043AC3+TDY100R9V4	NOMINAL	1200	0.96	0.98	0.95
	LOW	1050	0.94	0.95	0.94
	HIGH	1350	0.98	1.01	0.96
4TXCC043AC3+TUD060R9V3	NOMINAL	1200	0.95	0.97	0.95
	LOW	1050	0.93	0.94	0.94
	HIGH	1350	0.97	1.00	0.96
4TXCC043AC3+TUD080R9V3	NOMINAL	1200	0.95	0.97	0.95
	LOW	1050	0.93	0.94	0.94
	HIGH	1350	0.97	1.00	0.96
4TXCC043AC3+TUD080R9V4	NOMINAL	1200	0.96	0.99	0.96
	LOW	1050	0.94	0.96	0.95
	HIGH	1350	0.98	1.01	0.97
4TXCC043AC3+TUD100R9V3	NOMINAL	1200	0.95	0.97	0.97
	LOW	1050	0.93	0.94	0.96
	HIGH	1350	0.96	1.00	0.98
4TXCC043AC3+TUD1B060A9H3	NOMINAL	1200	0.96	0.99	0.96
	LOW	1050	0.94	0.96	0.95
	HIGH	1350	0.98	1.02	0.97
4TXCC043AC3+TUD1B080A9H3	NOMINAL	1200	0.96	0.99	0.96
	LOW	1050	0.94	0.96	0.95
	HIGH	1350	0.98	1.02	0.97

**CORRECTION FACTORS FOR OTHER COMBINATIONS (MULTIPLY DATA BY FACTOR)**

INDOOR MODEL		CFM	MBTUH TOT	MBTUH SEN	SYST KW
4TXCC043AC3+TUD1B100A9H3	NOMINAL	1200	0.96	0.99	0.96
	LOW	1050	0.94	0.96	0.95
	HIGH	1350	0.98	1.02	0.97
4TXCC043AC3+TUD1C080A9H4	NOMINAL	1200	0.97	1.00	0.96
	LOW	1050	0.95	0.97	0.95
	HIGH	1350	0.99	1.03	0.97
4TXCC043AC3+TUX1B060A9H3	NOMINAL	1200	0.96	0.99	0.95
	LOW	1050	0.94	0.96	0.94
	HIGH	1350	0.98	1.01	0.96
4TXCC043AC3+TUX1B080A9H3	NOMINAL	1200	0.96	0.99	0.96
	LOW	1050	0.94	0.96	0.95
	HIGH	1350	0.98	1.01	0.97
4TXCC043AC3+TUX1C100A9H4	NOMINAL	1200	0.97	1.00	0.96
	LOW	1050	0.95	0.97	0.95
	HIGH	1350	0.99	1.03	0.97
4TXCC043AC3+TUY060R9V3	NOMINAL	1200	0.96	0.98	0.95
	LOW	1050	0.94	0.95	0.94
	HIGH	1350	0.98	1.01	0.96
4TXCC043AC3+TUY080R9V3	NOMINAL	1200	0.96	0.98	0.94
	LOW	1050	0.94	0.95	0.93
	HIGH	1350	0.98	1.01	0.95
4TXCC043AC3+TUY100R9V4	NOMINAL	1200	0.96	0.98	0.95
	LOW	1050	0.94	0.95	0.94
	HIGH	1350	0.98	1.01	0.96
4TXCC049AC3	NOMINAL	1200	0.97	0.99	0.99
	LOW	1050	0.95	0.96	0.98
	HIGH	1350	0.99	1.02	1.00
4TXCC049AC3+TDD060R9V3	NOMINAL	1200	0.98	1.00	0.98
	LOW	1050	0.96	0.97	0.97
	HIGH	1350	1.00	1.03	0.99
4TXCC049AC3+TDD080R9V3	NOMINAL	1200	0.98	1.01	0.98
	LOW	1050	0.96	0.98	0.97
	HIGH	1350	1.00	1.04	0.99
4TXCC049AC3+TDD1B060A9H3	NOMINAL	1200	0.98	1.01	0.99
	LOW	1050	0.96	0.98	0.98
	HIGH	1350	1.00	1.04	1.00
4TXCC049AC3+TDD1B080A9H3	NOMINAL	1200	0.98	1.01	0.98
	LOW	1050	0.96	0.98	0.97
	HIGH	1350	1.00	1.04	0.99
4TXCC049AC3+TDX1B060A9H3	NOMINAL	1200	0.98	1.01	0.98
	LOW	1050	0.96	0.98	0.97
	HIGH	1350	1.00	1.04	0.99
4TXCC049AC3+TDX1B080A9H3	NOMINAL	1200	0.98	1.01	0.98
	LOW	1050	0.96	0.98	0.97
	HIGH	1350	1.00	1.04	0.99
4TXCC049AC3+TDX1C100A9H4	NOMINAL	1200	0.99	1.03	1.00
	LOW	1050	0.97	1.00	0.99
	HIGH	1350	1.01	1.06	1.01
4TXCC049AC3+TDY060R9V3	NOMINAL	1200	0.99	1.01	0.97
	LOW	1050	0.97	0.98	0.96
	HIGH	1350	1.01	1.04	0.98
4TXCC049AC3+TDY080R9V3	NOMINAL	1200	0.98	1.00	0.97
	LOW	1050	0.96	0.97	0.96
	HIGH	1350	1.00	1.03	0.98
4TXCC049AC3+TDY100R9V4	NOMINAL	1200	0.98	1.01	0.97
	LOW	1050	0.96	0.98	0.96
	HIGH	1350	1.00	1.04	0.98
4TXCC049AC3+TUD060R9V3	NOMINAL	1200	0.98	1.00	0.98
	LOW	1050	0.96	0.97	0.97
	HIGH	1350	1.00	1.03	0.99
4TXCC049AC3+TUD080R9V3	NOMINAL	1200	0.98	1.01	0.98
	LOW	1050	0.96	0.98	0.97
	HIGH	1350	1.00	1.04	0.99



# Performance Data Cooling

## 4TTB3036A1

CORRECTION FACTORS FOR OTHER COMBINATIONS (MULTIPLY DATA BY FACTOR)

INDOOR MODEL		CFM	MBTUH TOT	MBTUH SEN	SYST KW
4TXCC049AC3+TUD080R9V4	NOMINAL	1200	0.99	1.01	0.99
	LOW	1050	0.97	0.98	0.98
	HIGH	1350	1.01	1.05	1.00
4TXCC049AC3+TUD100R9V3	NOMINAL	1200	0.97	1.00	0.98
	LOW	1050	0.95	0.97	0.97
	HIGH	1350	0.99	1.03	0.99
4TXCC049AC3+TUD1B060A9H3	NOMINAL	1200	0.98	1.01	0.99
	LOW	1050	0.96	0.98	0.98
	HIGH	1350	1.00	1.04	1.00
4TXCC049AC3+TUD1B080A9H3	NOMINAL	1200	0.98	1.01	0.99
	LOW	1050	0.96	0.98	0.98
	HIGH	1350	1.00	1.05	1.00
4TXCC049AC3+TUD1B100A9H3	NOMINAL	1200	0.98	1.02	0.99
	LOW	1050	0.96	0.99	0.98
	HIGH	1350	1.00	1.05	1.00
4TXCC049AC3+TUX1B060A9H3	NOMINAL	1200	0.97	1.00	0.98
	LOW	1050	0.95	0.97	0.97
	HIGH	1350	0.99	1.03	0.99
4TXCC049AC3+TUX1B080A9H3	NOMINAL	1200	0.98	1.01	0.99
	LOW	1050	0.96	0.98	0.98
	HIGH	1350	1.00	1.04	1.00
4TXCC049AC3+TUY060R9V3	NOMINAL	1200	0.98	1.00	0.97
	LOW	1050	0.96	0.97	0.96
	HIGH	1350	1.00	1.03	0.98
4TXCC049AC3+TUY080R9V3	NOMINAL	1200	0.99	1.01	0.97
	LOW	1050	0.97	0.98	0.96
	HIGH	1350	1.01	1.04	0.98
4TXCC049AC3+TUY100R9V4	NOMINAL	1200	0.99	1.01	0.98
	LOW	1050	0.97	0.98	0.97
	HIGH	1350	1.01	1.05	0.99
4TXCC054AS3	NOMINAL	1200	0.96	1.00	0.98
	LOW	1050	0.94	0.97	0.97
	HIGH	1350	0.98	1.03	0.99
4TXCD050AC3	NOMINAL	1200	0.97	0.99	0.99
	LOW	1050	0.95	0.96	0.98
	HIGH	1350	0.99	1.02	1.00
4TXCD050AC3+TDD080R9V3	NOMINAL	1200	0.98	1.01	0.98
	LOW	1050	0.96	0.98	0.97
	HIGH	1350	1.00	1.04	0.99
4TXCD050AC3+TDD1B080A9H3	NOMINAL	1200	0.98	1.01	0.98
	LOW	1050	0.96	0.98	0.97
	HIGH	1350	1.00	1.04	0.99
4TXCD050AC3+TDX1B060A9H3	NOMINAL	1200	0.97	1.00	0.98
	LOW	1050	0.95	0.97	0.97
	HIGH	1350	0.99	1.03	0.99
4TXCD050AC3+TDX1B080A9H3	NOMINAL	1200	0.98	1.01	0.98
	LOW	1050	0.96	0.98	0.97
	HIGH	1350	1.00	1.04	0.99
4TXCD050AC3+TDX1C100A9H4	NOMINAL	1200	0.99	1.03	1.00
	LOW	1050	0.97	1.00	0.99
	HIGH	1350	1.01	1.06	1.01
4TXCD050AC3+TDY060R9V3	NOMINAL	1200	0.99	1.01	0.97
	LOW	1050	0.97	0.98	0.96
	HIGH	1350	1.01	1.04	0.98
4TXCD050AC3+TDY080R9V3	NOMINAL	1200	0.98	1.00	0.97
	LOW	1050	0.96	0.97	0.96
	HIGH	1350	1.00	1.03	0.98
4TXCD050AC3+TDY100R9V4	NOMINAL	1200	0.99	1.01	0.98
	LOW	1050	0.97	0.98	0.97
	HIGH	1350	1.01	1.04	0.99
4TXCD050AC3+TUD060R9V3	NOMINAL	1200	0.98	1.00	0.98
	LOW	1050	0.96	0.97	0.97
	HIGH	1350	1.00	1.03	0.99

CORRECTION FACTORS FOR OTHER COMBINATIONS (MULTIPLY DATA BY FACTOR)

INDOOR MODEL		CFM	MBTUH TOT	MBTUH SEN	SYST KW
4TXCD050AC3+TUD080R9V3	NOMINAL	1200	0.98	1.01	0.98
	LOW	1050	0.96	0.98	0.97
	HIGH	1350	1.00	1.04	0.99
4TXCD050AC3+TUD080R9V4	NOMINAL	1200	0.99	1.01	0.99
	LOW	1050	0.97	0.98	0.98
	HIGH	1350	1.01	1.05	1.00
4TXCD050AC3+TUD100R9V3	NOMINAL	1200	0.97	1.00	0.98
	LOW	1050	0.95	0.97	0.97
	HIGH	1350	0.99	1.03	0.99
4TXCD050AC3+TUD1B060A9H3	NOMINAL	1200	0.98	1.01	0.99
	LOW	1050	0.96	0.98	0.98
	HIGH	1350	1.00	1.05	1.00
4TXCD050AC3+TUD1B080A9H3	NOMINAL	1200	0.99	1.02	0.99
	LOW	1050	0.97	0.99	0.98
	HIGH	1350	1.01	1.05	1.00
4TXCD050AC3+TUD1B100A9H3	NOMINAL	1200	0.98	1.01	0.99
	LOW	1050	0.96	0.98	0.98
	HIGH	1350	1.00	1.05	1.00
4TXCD050AC3+TUD1C080A9H4	NOMINAL	1200	0.99	1.02	0.99
	LOW	1050	0.97	0.99	0.98
	HIGH	1350	1.01	1.05	1.00
4TXCD050AC3+TUX1B060A9H3	NOMINAL	1200	0.97	1.00	0.98
	LOW	1050	0.95	0.97	0.97
	HIGH	1350	0.99	1.03	0.99
4TXCD050AC3+TUX1B080A9H3	NOMINAL	1200	0.98	1.01	0.99
	LOW	1050	0.96	0.98	0.98
	HIGH	1350	1.00	1.05	1.00
4TXCD050AC3+TUY060R9V3	NOMINAL	1200	0.98	1.01	0.97
	LOW	1050	0.96	0.98	0.96
	HIGH	1350	1.00	1.04	0.98
4TXCD050AC3+TUY080R9V3	NOMINAL	1200	0.99	1.01	0.97
	LOW	1050	0.97	0.98	0.96
	HIGH	1350	1.01	1.04	0.98
4TXCD050AC3+TUY100R9V4	NOMINAL	1200	0.98	1.01	0.97
	LOW	1050	0.96	0.98	0.96
	HIGH	1350	1.00	1.04	0.98
4TXCD050AC3+TUY080R9V3	NOMINAL	1200	0.99	1.01	0.97
	LOW	1050	0.97	0.98	0.96
	HIGH	1350	1.01	1.04	0.98
4TXCD050AC3+TUY100R9V4	NOMINAL	1200	0.99	1.01	0.98
	LOW	1050	0.97	0.98	0.97
	HIGH	1350	1.01	1.05	0.99
4TXFH033AS3+TDD060R9V3	NOMINAL	1200	0.96	0.94	0.96
	LOW	1050	0.94	0.91	0.95
	HIGH	1350	0.98	0.97	0.97
4TXFH033AS3+TDD1B060A9H3	NOMINAL	1200	0.96	0.94	0.95
	LOW	1050	0.94	0.91	0.94
	HIGH	1350	0.98	0.97	0.96
4TXFH033AS3+TDD1B080A9H3	NOMINAL	1200	0.96	0.94	0.95
	LOW	1050	0.94	0.91	0.94
	HIGH	1350	0.98	0.97	0.96
4TXFH033AS3+TDX1B060A9H3	NOMINAL	1200	0.97	0.94	0.95
	LOW	1050	0.95	0.91	0.94
	HIGH	1350	0.99	0.97	0.96
4TXFH033AS3+TDX1B080A9H3	NOMINAL	1200	0.97	0.94	0.95
	LOW	1050	0.95	0.91	0.94
	HIGH	1350	0.99	0.97	0.96
4TXFH033AS3+TDX1C100A9H4	NOMINAL	1200	0.97	0.95	0.96
	LOW	1050	0.95	0.92	0.95
	HIGH	1350	0.99	0.98	0.97
4TXFH033AS3+TDY060R9V3	NOMINAL	1200	0.96	0.94	0.95
	LOW	1050	0.94	0.91	0.94
	HIGH	1350	0.98	0.97	0.96
4TXFH033AS3+TDY080R9V3	NOMINAL	1200	0.96	0.93	0.94
	LOW	1050	0.94	0.90	0.93
	HIGH	1350	0.97	0.96	0.95
4TXFH033AS3+TDY100R9V4	NOMINAL	1200	0.97	0.94	0.95
	LOW	1050	0.95	0.91	0.94
	HIGH	1350	0.99	0.97	0.96



# Performance Data Cooling

## 4TTB3036A1

**CORRECTION FACTORS FOR OTHER COMBINATIONS (MULTIPLY DATA BY FACTOR)**

INDOOR MODEL		CFM	MBTUH TOT	MBTUH SEN	SYST KW
4TXFH033AS3+TUD060R9V3	NOMINAL	1200	0.95	0.93	0.95
	LOW	1050	0.93	0.91	0.94
	HIGH	1350	0.97	0.96	0.96
4TXFH033AS3+TUD080R9V3	NOMINAL	1200	0.96	0.94	0.97
	LOW	1050	0.94	0.91	0.96
	HIGH	1350	0.97	0.97	0.98
4TXFH033AS3+TUD100R9V3	NOMINAL	1200	0.95	0.93	0.97
	LOW	1050	0.93	0.90	0.96
	HIGH	1350	0.97	0.96	0.98
4TXFH033AS3+TUD1B060A9H3	NOMINAL	1200	0.97	0.95	0.96
	LOW	1050	0.95	0.92	0.95
	HIGH	1350	0.99	0.98	0.97
4TXFH033AS3+TUD1B080A9H3	NOMINAL	1200	0.97	0.95	0.96
	LOW	1050	0.95	0.92	0.95
	HIGH	1350	0.99	0.98	0.97
4TXFH033AS3+TUD1B100A9H3	NOMINAL	1200	0.97	0.95	0.96
	LOW	1050	0.95	0.92	0.95
	HIGH	1350	0.99	0.98	0.97
4TXFH033AS3+TUD1C080A9H4	NOMINAL	1200	0.97	0.95	0.95
	LOW	1050	0.95	0.92	0.94
	HIGH	1350	0.99	0.98	0.96
4TXFH033AS3+TUX1B060A9H3	NOMINAL	1200	0.96	0.94	0.95
	LOW	1050	0.94	0.92	0.94
	HIGH	1350	0.98	0.97	0.96
4TXFH033AS3+TUX1B080A9H3	NOMINAL	1200	0.96	0.94	0.95
	LOW	1050	0.94	0.91	0.94
	HIGH	1350	0.98	0.97	0.96
4TXFH033AS3+TUX1C100A9H4	NOMINAL	1200	0.99	0.96	0.99
	LOW	1050	0.97	0.93	0.98
	HIGH	1350	1.01	0.99	1.00
4TXFH033AS3+TUY060R9V3	NOMINAL	1200	0.96	0.94	0.95
	LOW	1050	0.94	0.91	0.94
	HIGH	1350	0.98	0.97	0.96
4TXFH033AS3+TUY080R9V3	NOMINAL	1200	0.96	0.93	0.94
	LOW	1050	0.94	0.91	0.93
	HIGH	1350	0.98	0.96	0.95
4TXFH033AS3+TUY100R9V4	NOMINAL	1200	0.97	0.94	0.95
	LOW	1050	0.95	0.91	0.94
	HIGH	1350	0.99	0.97	0.96
4TXFH041AS3	NOMINAL	1200	0.97	0.97	0.99
	LOW	1050	0.95	0.94	0.98
	HIGH	1350	0.99	1.00	1.00
4TXFH041AS3+TDD060R9V3	NOMINAL	1200	0.99	0.99	0.99
	LOW	1050	0.97	0.96	0.98
	HIGH	1350	1.01	1.02	1.00
4TXFH041AS3+TDD080R9V3	NOMINAL	1200	0.99	0.99	0.98
	LOW	1050	0.97	0.96	0.97
	HIGH	1350	1.01	1.02	0.99
4TXFH041AS3+TDD1B060A9H3	NOMINAL	1200	0.98	0.99	0.99
	LOW	1050	0.96	0.96	0.98
	HIGH	1350	1.00	1.02	1.00
4TXFH041AS3+TDD1B080A9H3	NOMINAL	1200	0.98	0.99	0.99
	LOW	1050	0.96	0.96	0.97
	HIGH	1350	1.00	1.01	0.99
4TXFH041AS3+TDY060R9V3	NOMINAL	1200	0.99	0.99	0.98
	LOW	1050	0.97	0.96	0.97
	HIGH	1350	1.01	1.02	0.99
4TXFH041AS3+TDY080R9V3	NOMINAL	1200	0.98	0.99	0.97
	LOW	1050	0.96	0.96	0.96
	HIGH	1350	1.00	1.01	0.98

**CORRECTION FACTORS FOR OTHER COMBINATIONS (MULTIPLY DATA BY FACTOR)**

INDOOR MODEL		CFM	MBTUH TOT	MBTUH SEN	SYST KW
4TXFH041AS3+TDY100R9V4	NOMINAL	1200	0.99	0.99	0.98
	LOW	1050	0.97	0.96	0.97
	HIGH	1350	1.01	1.02	0.99
4TXFH041AS3+TUD060R9V3	NOMINAL	1200	0.98	0.99	0.98
	LOW	1050	0.96	0.96	0.97
	HIGH	1350	1.00	1.01	0.99
4TXFH041AS3+TUD080R9V3	NOMINAL	1200	0.98	0.99	0.98
	LOW	1050	0.96	0.96	0.97
	HIGH	1350	1.00	1.01	0.99
4TXFH041AS3+TUD080R9V4	NOMINAL	1200	0.99	1.00	0.99
	LOW	1050	0.97	0.97	0.98
	HIGH	1350	1.01	1.03	1.00
4TXFH041AS3+TUD100R9V3	NOMINAL	1200	0.98	0.98	0.98
	LOW	1050	0.96	0.95	0.97
	HIGH	1350	1.00	1.01	0.99
4TXFH041AS3+TUD1B060A9H3	NOMINAL	1200	0.99	1.00	0.99
	LOW	1050	0.97	0.97	0.98
	HIGH	1350	1.01	1.03	1.00
4TXFH041AS3+TUD1B080A9H3	NOMINAL	1200	0.99	1.00	1.01
	LOW	1050	0.97	0.97	1.00
	HIGH	1350	1.01	1.03	1.02
4TXFH041AS3+TUD1B100A9H3	NOMINAL	1200	0.99	1.00	0.99
	LOW	1050	0.97	0.97	0.98
	HIGH	1350	1.01	1.03	1.00
4TXFH041AS3+TUD1C080A9H4	NOMINAL	1200	0.99	1.00	0.99
	LOW	1050	0.97	0.97	0.98
	HIGH	1350	1.01	1.03	1.00
4TXFH041AS3+TUX1B060A9H3	NOMINAL	1200	0.99	0.99	0.98
	LOW	1050	0.97	0.96	0.97
	HIGH	1350	1.01	1.02	0.99
4TXFH041AS3+TUX1B080A9H3	NOMINAL	1200	0.99	0.99	0.99
	LOW	1050	0.97	0.96	0.98
	HIGH	1350	1.01	1.02	1.00
4TXFH041AS3+TUX1C100A9H4	NOMINAL	1200	0.99	1.00	0.99
	LOW	1050	0.97	0.97	0.98
	HIGH	1350	1.01	1.03	1.00
4TXFH041AS3+TUY060R9V3	NOMINAL	1200	0.99	0.99	0.99
	LOW	1050	0.97	0.96	0.98
	HIGH	1350	1.01	1.02	1.00
4TXFH041AS3+TUY080R9V3	NOMINAL	1200	0.99	0.99	0.99
	LOW	1050	0.97	0.96	0.98
	HIGH	1350	1.01	1.02	1.00
4TXFH041AS3+TUY100R9V4	NOMINAL	1200	0.99	0.99	0.98
	LOW	1050	0.97	0.96	0.97
	HIGH	1350	1.01	1.02	0.99
RXC031S3	NOMINAL	1200	0.97	0.95	0.98
	LOW	1050	0.95	0.92	0.97
	HIGH	1350	0.99	0.98	0.99
RXC031S3+TDD060R9V3	NOMINAL	1200	0.97	0.97	0.97
	LOW	1050	0.95	0.94	0.96
	HIGH	1350	0.99	1.00	0.98
RXC031S3+TDD080R9V3	NOMINAL	1200	0.98	0.97	0.97
	LOW	1050	0.96	0.94	0.96
	HIGH	1350	1.00	1.00	0.98
RXC031S3+TDD1B060A9H3	NOMINAL	1200	0.99	0.97	0.97
	LOW	1050	0.97	0.94	0.96
	HIGH	1350	1.01	1.00	0.98
RXC031S3+TDD1B080A9H3	NOMINAL	1200	0.99	0.97	0.97
	LOW	1050	0.97	0.94	0.96
	HIGH	1350	1.01	1.00	0.98
RXC031S3+TDX1B040A9H2	NOMINAL	1200	0.98	0.96	0.96
	LOW	1050	0.96	0.93	0.95
	HIGH	1350	1.00	0.99	0.97



# Performance Data Cooling

## 4TTB3036A1

**CORRECTION FACTORS FOR OTHER COMBINATIONS (MULTIPLY DATA BY FACTOR)**

INDOOR MODEL		CFM	MBTUH TOT	MBTUH SEN	SYST KW
RXC031S3+TDX1B060A9H3	NOMINAL	1200	0.99	0.97	0.99
	LOW	1050	0.97	0.94	0.98
	HIGH	1350	1.01	1.00	1.00
RXC031S3+TDX1B080A9H3	NOMINAL	1200	0.98	0.97	0.97
	LOW	1050	0.96	0.94	0.96
	HIGH	1350	1.00	1.00	0.98
RXC031S3+TDY060R9V3	NOMINAL	1200	0.98	0.96	0.97
	LOW	1050	0.96	0.93	0.96
	HIGH	1350	1.00	0.99	0.98
RXC031S3+TDY080R9V3	NOMINAL	1200	0.98	0.96	0.96
	LOW	1050	0.96	0.93	0.95
	HIGH	1350	1.00	0.99	0.97
RXC031S3+TUD060R9V3	NOMINAL	1200	0.97	0.96	0.97
	LOW	1050	0.95	0.93	0.96
	HIGH	1350	0.99	0.99	0.98
RXC031S3+TUD080R9V3	NOMINAL	1200	0.97	0.96	0.97
	LOW	1050	0.95	0.93	0.96
	HIGH	1350	0.99	0.99	0.98
RXC031S3+TUD1A040A9H2	NOMINAL	1200	0.98	0.96	0.96
	LOW	1050	0.96	0.93	0.95
	HIGH	1350	1.00	0.99	0.97
RXC031S3+TUD1B060A9H3	NOMINAL	1200	0.99	0.97	0.98
	LOW	1050	0.97	0.94	0.97
	HIGH	1350	1.01	1.00	0.99
RXC031S3+TUD1B080A9H3	NOMINAL	1200	0.99	0.97	0.99
	LOW	1050	0.97	0.94	0.98
	HIGH	1350	1.01	1.00	1.00
RXC031S3+TUD1B100A9H3	NOMINAL	1200	0.99	0.97	0.98
	LOW	1050	0.97	0.94	0.97
	HIGH	1350	1.01	1.00	0.99
RXC031S3+TUX1B040A9H2	NOMINAL	1200	0.98	0.97	0.97
	LOW	1050	0.96	0.94	0.96
	HIGH	1350	1.00	1.00	0.98
RXC031S3+TUX1B060A9H3	NOMINAL	1200	0.98	0.97	0.99
	LOW	1050	0.96	0.94	0.98
	HIGH	1350	1.00	1.00	1.00
RXC031S3+TUX1B080A9H3	NOMINAL	1200	0.99	0.97	0.97
	LOW	1050	0.97	0.94	0.96
	HIGH	1350	1.01	1.00	0.98
RXC031S3+TUY060R9V3	NOMINAL	1200	0.98	0.96	0.96
	LOW	1050	0.96	0.93	0.95
	HIGH	1350	1.00	0.99	0.97
RXC031S3+TUY080R9V3	NOMINAL	1200	0.98	0.96	0.96
	LOW	1050	0.96	0.93	0.95
	HIGH	1350	1.00	0.99	0.97
RXC036S3	NOMINAL	1200	0.98	0.99	1.00
	LOW	1050	0.96	0.96	0.99
	HIGH	1350	1.00	1.01	1.01
RXC036S3+TDD060R9V3	NOMINAL	1200	0.99	1.00	1.00
	LOW	1050	0.97	0.97	0.99
	HIGH	1350	1.01	1.03	1.01
RXC036S3+TDD080R9V3	NOMINAL	1200	0.99	1.00	1.01
	LOW	1050	0.97	0.97	1.00
	HIGH	1350	1.01	1.03	1.02
RXC036S3+TDD1B060A9H3	NOMINAL	1200	1.00	1.01	1.01
	LOW	1050	0.98	0.98	1.00
	HIGH	1350	1.02	1.04	1.02
RXC036S3+TDD1B080A9H3	NOMINAL	1200	1.00	1.01	1.01
	LOW	1050	0.98	0.98	1.00
	HIGH	1350	1.02	1.04	1.02
RXC036S3+TDX1B040A9H2	NOMINAL	1200	1.00	1.00	0.99
	LOW	1050	0.98	0.97	0.98
	HIGH	1350	1.02	1.03	1.00

**CORRECTION FACTORS FOR OTHER COMBINATIONS (MULTIPLY DATA BY FACTOR)**

INDOOR MODEL		CFM	MBTUH TOT	MBTUH SEN	SYST KW
RXC036S3+TDX1B060A9H3	NOMINAL	1200	0.99	1.00	1.02
	LOW	1050	0.97	0.97	1.01
	HIGH	1350	1.01	1.03	1.03
RXC036S3+TDX1B080A9H3	NOMINAL	1200	0.99	1.00	1.01
	LOW	1050	0.97	0.97	1.00
	HIGH	1350	1.01	1.03	1.02
RXC036S3+TDY060R9V3	NOMINAL	1200	0.99	1.00	1.01
	LOW	1050	0.97	0.97	1.00
	HIGH	1350	1.01	1.03	1.02
RXC036S3+TDY080R9V3	NOMINAL	1200	0.99	1.00	0.99
	LOW	1050	0.97	0.97	0.98
	HIGH	1350	1.01	1.03	1.00
RXC036S3+TUD060R9V3	NOMINAL	1200	0.99	1.00	1.01
	LOW	1050	0.97	0.97	1.00
	HIGH	1350	1.01	1.03	1.02
RXC036S3+TUD080R9V3	NOMINAL	1200	0.99	1.00	1.01
	LOW	1050	0.97	0.97	1.00
	HIGH	1350	1.01	1.03	1.02
RXC036S3+TUD100R9V3	NOMINAL	1200	0.98	0.99	1.01
	LOW	1050	0.96	0.96	1.00
	HIGH	1350	1.00	1.02	1.02
RXC036S3+TUD1A040A9H2	NOMINAL	1200	1.00	1.00	1.00
	LOW	1050	0.98	0.97	0.99
	HIGH	1350	1.02	1.03	1.01
RXC036S3+TUD1B060A9H3	NOMINAL	1200	1.01	1.01	1.02
	LOW	1050	0.99	0.98	1.01
	HIGH	1350	1.03	1.04	1.03
RXC036S3+TUD1B080A9H3	NOMINAL	1200	1.01	1.01	1.00
	LOW	1050	0.99	0.98	0.99
	HIGH	1350	1.03	1.05	1.01
RXC036S3+TUD1B100A9H3	NOMINAL	1200	1.00	1.01	1.01
	LOW	1050	0.98	0.98	1.00
	HIGH	1350	1.02	1.04	1.02
RXC036S3+TUX1B040A9H2	NOMINAL	1200	1.00	1.00	1.01
	LOW	1050	0.98	0.97	1.00
	HIGH	1350	1.02	1.03	1.02
RXC036S3+TUX1B060A9H3	NOMINAL	1200	1.00	1.01	0.99
	LOW	1050	0.98	0.98	0.98
	HIGH	1350	1.02	1.04	1.00
RXC036S3+TUX1B080A9H3	NOMINAL	1200	1.00	1.01	0.99
	LOW	1050	0.98	0.98	0.98
	HIGH	1350	1.02	1.04	1.00
RXC036S3+TUY060R9V3	NOMINAL	1200	1.00	1.00	0.99
	LOW	1050	0.98	0.97	0.98
	HIGH	1350	1.02	1.03	1.00
RXC036S3+TUY080R9V3	NOMINAL	1200	1.00	1.00	0.98
	LOW	1050	0.98	0.97	0.97
	HIGH	1350	1.02	1.03	0.99
RXC037S3	NOMINAL	1200	0.99	0.99	1.01
	LOW	1050	0.97	0.96	1.00
	HIGH	1350	1.01	1.02	1.02
RXC037S3+TDD100R9V5	NOMINAL	1200	1.01	1.02	1.03
	LOW	1050	0.99	0.99	1.02
	HIGH	1350	1.03	1.05	1.04
RXC037S3+TDX1C100A9H4	NOMINAL	1200	1.02	1.02	1.03
	LOW	1050	1.00	0.99	1.02
	HIGH	1350	1.04	1.05	1.04
RXC037S3+TDY100R9V4	NOMINAL	1200	1.01	1.01	1.01
	LOW	1050	0.99	0.98	1.00
	HIGH	1350	1.03	1.04	1.02
RXC037S3+TUD080R9V3	NOMINAL	1200	1.00	1.01	1.02
	LOW	1050	0.98	0.98	1.01
	HIGH	1350	1.02	1.04	1.03



# Performance Data Cooling

## 4TTB3036A1

### CORRECTION FACTORS FOR OTHER COMBINATIONS (MULTIPLY DATA BY FACTOR)

INDOOR MODEL		CFM	MBTUH TOT	MBTUH SEN	SYST KW
RXC037S3+TUD080R9V4	NOMINAL	1200	1.01	1.02	1.03
	LOW	1050	0.99	0.99	1.02
	HIGH	1350	1.03	1.05	1.04
RXC037S3+TUD100R9V5	NOMINAL	1200	1.01	1.02	1.03
	LOW	1050	0.99	0.99	1.02
	HIGH	1350	1.03	1.05	1.04
RXC037S3+TUD1B080A9H3	NOMINAL	1200	1.01	1.02	1.01
	LOW	1050	0.99	0.99	1.00
	HIGH	1350	1.03	1.05	1.02
RXC037S3+TUD1C080A9H4	NOMINAL	1200	1.02	1.03	1.02
	LOW	1050	1.00	1.00	1.01
	HIGH	1350	1.04	1.06	1.03

### CORRECTION FACTORS FOR OTHER COMBINATIONS (MULTIPLY DATA BY FACTOR)

INDOOR MODEL		CFM	MBTUH TOT	MBTUH SEN	SYST KW
RXC037S3+TUX1C100A9H4	NOMINAL	1200	1.01	1.02	1.01
	LOW	1050	0.99	0.99	1.00
	HIGH	1350	1.03	1.05	1.02
RXC037S3+TUY100R9V4	NOMINAL	1200	1.01	1.01	1.02
	LOW	1050	0.99	0.98	1.01
	HIGH	1350	1.03	1.05	1.03
RXC054S3	NOMINAL	1200	0.97	1.00	0.99
	LOW	1050	0.95	0.97	0.98
	HIGH	1350	0.99	1.03	1.00

# Performance Data Cooling

## 4TTB3042A1

### 4TTB3042A1 WITH 4TXCB042AC3 AT 1400 CFM

O.D. D.B.	I.D. W.B.	TOT. CAP.	SENS. CAP. AT ENTERING D.B. TEMP.				TOTAL KW
			72	75	78	80	
85	59	38.9	31.2	35.0	38.7	38.3	3.27
	63	40.6	25.4	29.2	33.0	35.5	3.29
	67	43.7	20.1	23.9	27.7	30.2	3.34
	71	47.2	14.8	18.6	22.4	24.9	3.38
95	59	37.2	30.4	34.2	37.2	37.2	3.64
	63	38.8	24.7	28.5	32.2	34.7	3.66
	67	41.8	19.4	23.2	27.0	29.5	3.72
	71	45.1	14.1	17.9	21.7	24.2	3.75
105	59	36.3	30.0	33.8	36.3	36.3	3.82
	63	37.9	24.3	28.1	31.9	34.4	3.84
	67	40.8	19.0	22.8	26.6	29.1	3.91
	71	44.1	13.7	17.5	21.3	23.9	3.94
115	59	33.8	28.9	32.7	33.8	33.8	4.37
	63	35.2	23.2	27.0	30.8	33.3	4.40
	67	38.0	18.0	21.8	25.5	28.1	4.47
	71	41.0	12.7	16.5	20.3	22.8	4.51

### CORRECTION FACTORS FOR OTHER AIRFLOWS (MULTIPLY DATA BY FACTOR)

	AIRFLOW	TOTAL CAPACITY	SENSIBLE CAPACITY
LOW	1225	0.98	0.98
HIGH	1575	1.02	1.02

NOTE: ALL TABLES ABOVE ARE AT ARI RATING CONDITIONS RATED WITH 25 FEET OF REFRIGERANT LINES.  
 \* DRY COIL CONDITION (TOTAL CAPACITY = SENSIBLE CAPACITY)  
 TOTAL CAPACITY, COMP. KW AND APP. DEW PT. ARE VALID ONLY FOR WET COIL. ALL TEMPERATURES IN DEGREES F.

### CORRECTION FACTORS FOR OTHER COMBINATIONS (MULTIPLY DATA BY FACTOR)

INDOOR MODEL		CFM	MBTUH TOT	MBTUH SEN	SYST KW
2TEH3F42A1+4AYTXVH-3	NOMINAL	1400	1.01	1.01	1.00
	LOW	1225	0.99	0.98	0.99
	HIGH	1575	1.03	1.04	1.01

### CORRECTION FACTORS FOR OTHER COMBINATIONS (MULTIPLY DATA BY FACTOR)

INDOOR MODEL		CFM	MBTUH TOT	MBTUH SEN	SYST KW
2TEH3F48A1+4AYTXVH-3	NOMINAL	1400	1.04	1.07	1.01
	LOW	1225	1.02	1.04	1.00
	HIGH	1575	1.06	1.11	1.02
2TGB3F42A1+4AYTXVH-3	NOMINAL	1400	1.01	1.00	1.02
	LOW	1225	0.99	0.97	1.01
	HIGH	1575	1.03	1.03	1.03
2TGB3F48A1+4AYTXVH-3	NOMINAL	1400	1.02	1.05	1.01
	LOW	1225	1.00	1.02	1.00
	HIGH	1575	1.04	1.08	1.03
4CXAB042AC3+TDD100R9V5	NOMINAL	1400	0.96	1.00	0.96
	LOW	1225	0.94	0.97	0.95
	HIGH	1575	0.98	1.03	0.97
4CXAB042AC3+TDD120R9V5	NOMINAL	1400	0.97	1.01	0.96
	LOW	1225	0.95	0.98	0.95
	HIGH	1575	0.99	1.04	0.97
4CXAB042AC3+TDD1C100A9H5	NOMINAL	1400	0.98	1.02	0.96
	LOW	1225	0.96	0.99	0.95
	HIGH	1575	1.00	1.05	0.97
4CXAB042AC3+TDD1D120A9H5	NOMINAL	1400	0.97	1.02	0.96
	LOW	1225	0.96	0.99	0.95
	HIGH	1575	0.99	1.05	0.97
4CXAB042AC3+TDX1C100A9H4	NOMINAL	1400	0.98	1.02	0.95
	LOW	1225	0.96	0.99	0.94
	HIGH	1575	1.00	1.05	0.96
4CXAB042AC3+TDX1D120A9H5	NOMINAL	1400	0.96	1.00	0.97
	LOW	1225	0.94	0.97	0.96
	HIGH	1575	0.98	1.03	0.98
4CXAB042AC3+TDY100R9V4	NOMINAL	1400	0.97	1.00	0.96
	LOW	1225	0.95	0.97	0.95
	HIGH	1575	0.99	1.03	0.97
4CXAB042AC3+TDY120R9V5	NOMINAL	1400	0.97	1.00	0.96
	LOW	1225	0.95	0.97	0.95
	HIGH	1575	0.99	1.03	0.97



# Performance Data Cooling

## 4TTB3042A1

**CORRECTION FACTORS FOR OTHER COMBINATIONS (MULTIPLY DATA BY FACTOR)**

INDOOR MODEL		CFM	MBTUH TOT	MBTUH SEN	SYST KW
4CXAB042AC3+TUD080R9V4	NOMINAL	1400	0.96	1.00	0.97
	LOW	1225	0.94	0.97	0.96
	HIGH	1575	0.98	1.03	0.98
4CXAB042AC3+TUD100R9V5	NOMINAL	1400	0.96	1.00	1.00
	LOW	1225	0.94	0.97	0.99
	HIGH	1575	0.98	1.03	1.01
4CXAB042AC3+TUD120R9V5	NOMINAL	1400	0.97	1.01	0.98
	LOW	1225	0.95	0.98	0.97
	HIGH	1575	0.99	1.04	0.99
4CXAB042AC3+TUD140R9V5	NOMINAL	1400	0.97	1.01	0.98
	LOW	1225	0.95	0.98	0.97
	HIGH	1575	0.99	1.04	0.99
4CXAB042AC3+TUD1C080A9H4	NOMINAL	1400	0.98	1.02	0.96
	LOW	1225	0.96	0.99	0.95
	HIGH	1575	1.00	1.05	0.97
4CXAB042AC3+TUD1C100A9H5	NOMINAL	1400	0.97	1.01	0.98
	LOW	1225	0.95	0.98	0.97
	HIGH	1575	0.98	1.04	0.99
4CXAB042AC3+TUD1D120A9H5	NOMINAL	1400	0.97	1.01	0.96
	LOW	1225	0.95	0.98	0.95
	HIGH	1575	0.99	1.04	0.97
4CXAB042AC3+TUD1D140A9H5	NOMINAL	1400	0.97	1.01	0.96
	LOW	1225	0.95	0.98	0.95
	HIGH	1575	0.99	1.04	0.97
4CXAB042AC3+TUX1C100A9H4	NOMINAL	1400	0.97	1.02	0.96
	LOW	1225	0.96	0.99	0.95
	HIGH	1575	0.99	1.05	0.97
4CXAB042AC3+TUX1D120A9H5	NOMINAL	1400	0.97	1.01	0.98
	LOW	1225	0.95	0.98	0.97
	HIGH	1575	0.98	1.04	0.99
4CXAB042AC3+TUY100R9V4	NOMINAL	1400	0.97	1.00	0.96
	LOW	1225	0.95	0.97	0.95
	HIGH	1575	0.99	1.03	0.97
4CXAB042AC3+TUY120R9V5	NOMINAL	1400	0.97	1.00	0.96
	LOW	1225	0.95	0.97	0.95
	HIGH	1575	0.99	1.03	0.97
4CXAB048AC3	NOMINAL	1400	0.98	1.02	0.97
	LOW	1225	0.96	0.99	0.96
	HIGH	1575	1.00	1.05	0.98
4CXAB048AC3+TDD100R9V5	NOMINAL	1400	0.99	1.04	0.98
	LOW	1225	0.97	1.01	0.97
	HIGH	1575	1.01	1.07	0.99
4CXAB048AC3+TDD120R9V5	NOMINAL	1400	0.99	1.04	0.98
	LOW	1225	0.97	1.01	0.97
	HIGH	1575	1.01	1.07	0.99
4CXAB048AC3+TDD1C100A9H5	NOMINAL	1400	0.99	1.04	0.98
	LOW	1225	0.97	1.01	0.97
	HIGH	1575	1.01	1.07	0.99
4CXAB048AC3+TDD1D120A9H5	NOMINAL	1400	1.00	1.04	0.99
	LOW	1225	0.98	1.01	0.98
	HIGH	1575	1.02	1.07	1.00
4CXAB048AC3+TDX1C100A9H4	NOMINAL	1400	0.98	1.03	1.00
	LOW	1225	0.96	1.00	0.99
	HIGH	1575	1.00	1.06	1.01
4CXAB048AC3+TDX1D120A9H5	NOMINAL	1400	0.99	1.03	0.97
	LOW	1225	0.97	1.00	0.96
	HIGH	1575	1.01	1.06	0.98
4CXAB048AC3+TDY100R9V4	NOMINAL	1400	0.99	1.03	0.99
	LOW	1225	0.97	1.00	0.98
	HIGH	1575	1.01	1.06	1.00
4CXAB048AC3+TDY120R9V5	NOMINAL	1400	1.00	1.03	0.97
	LOW	1225	0.98	1.00	0.96
	HIGH	1575	1.02	1.06	0.98

**CORRECTION FACTORS FOR OTHER COMBINATIONS (MULTIPLY DATA BY FACTOR)**

INDOOR MODEL		CFM	MBTUH TOT	MBTUH SEN	SYST KW
4CXAB048AC3+TUD080R9V4	NOMINAL	1400	0.98	1.03	0.97
	LOW	1225	0.96	1.00	0.96
	HIGH	1575	1.00	1.06	0.98
4CXAB048AC3+TUD100R9V5	NOMINAL	1400	0.99	1.03	1.00
	LOW	1225	0.97	1.00	0.99
	HIGH	1575	1.01	1.06	1.01
4CXAB048AC3+TUD120R9V5	NOMINAL	1400	0.99	1.04	0.99
	LOW	1225	0.97	1.01	0.98
	HIGH	1575	1.01	1.07	0.99
4CXAB048AC3+TUD140R9V5	NOMINAL	1400	0.98	1.03	0.97
	LOW	1225	0.96	1.00	0.96
	HIGH	1575	1.00	1.06	0.98
4CXAB048AC3+TUD1C080A9H4	NOMINAL	1400	0.99	1.04	0.98
	LOW	1225	0.97	1.01	0.97
	HIGH	1575	1.01	1.07	0.99
4CXAB048AC3+TUD1C100A9H5	NOMINAL	1400	0.99	1.04	0.98
	LOW	1225	0.97	1.01	0.97
	HIGH	1575	1.01	1.07	0.99
4CXAB048AC3+TUD1D120A9H5	NOMINAL	1400	1.00	1.04	0.99
	LOW	1225	0.98	1.01	0.98
	HIGH	1575	1.02	1.07	1.00
4CXAB048AC3+TUD1D140A9H5	NOMINAL	1400	1.00	1.04	0.99
	LOW	1225	0.98	1.01	0.98
	HIGH	1575	1.02	1.07	0.99
4CXAB048AC3+TUX1C100A9H4	NOMINAL	1400	0.99	1.03	0.97
	LOW	1225	0.97	1.00	0.96
	HIGH	1575	1.01	1.06	0.98
4CXAB048AC3+TUX1D120A9H5	NOMINAL	1400	0.99	1.04	0.99
	LOW	1225	0.97	1.01	0.98
	HIGH	1575	1.01	1.07	0.99
4CXAB048AC3+TUY100R9V4	NOMINAL	1400	0.99	1.03	0.97
	LOW	1225	0.97	1.00	0.96
	HIGH	1575	1.01	1.06	0.98
4CXAB048AC3+TUY120R9V5	NOMINAL	1400	1.00	1.03	0.97
	LOW	1225	0.98	1.00	0.96
	HIGH	1575	1.02	1.06	0.98
4CXAC043AC3+TDD100R9V5	NOMINAL	1400	0.97	1.01	0.98
	LOW	1225	0.95	0.98	0.97
	HIGH	1575	0.99	1.04	0.99
4CXAC043AC3+TDD120R9V5	NOMINAL	1400	0.97	1.01	0.96
	LOW	1225	0.95	0.98	0.95
	HIGH	1575	0.99	1.04	0.97
4CXAC043AC3+TDD1C100A9H5	NOMINAL	1400	0.97	1.01	0.96
	LOW	1225	0.95	0.98	0.95
	HIGH	1575	0.99	1.04	0.97
4CXAC043AC3+TDD1D120A9H5	NOMINAL	1400	0.97	1.01	0.96
	LOW	1225	0.95	0.98	0.95
	HIGH	1575	0.99	1.04	0.97
4CXAC043AC3+TDX1C100A9H4	NOMINAL	1400	0.98	1.03	0.96
	LOW	1225	0.96	1.00	0.95
	HIGH	1575	1.00	1.06	0.97
4CXAC043AC3+TDX1D120A9H5	NOMINAL	1400	0.97	1.01	0.98
	LOW	1225	0.95	0.98	0.97
	HIGH	1575	0.99	1.04	0.99
4CXAC043AC3+TDY100R9V4	NOMINAL	1400	0.97	1.00	0.96
	LOW	1225	0.95	0.97	0.95
	HIGH	1575	0.99	1.03	0.97
4CXAC043AC3+TDY120R9V5	NOMINAL	1400	0.97	1.00	0.96
	LOW	1225	0.95	0.97	0.95
	HIGH	1575	0.99	1.03	0.97
4CXAC043AC3+TUD080R9V4	NOMINAL	1400	0.97	1.01	0.96
	LOW	1225	0.95	0.98	0.95
	HIGH	1575	0.99	1.04	0.97



# Performance Data Cooling

## 4TTB3042A1

CORRECTION FACTORS FOR OTHER COMBINATIONS (MULTIPLY DATA BY FACTOR)

INDOOR MODEL		CFM	MBTUH TOT	MBTUH SEN	SYST KW
4CXAC043AC3+TUD100R9V5	NOMINAL	1400	0.96	1.01	0.98
	LOW	1225	0.94	0.98	0.97
	HIGH	1575	0.98	1.04	0.99
4CXAC043AC3+TUD120R9V5	NOMINAL	1400	0.97	1.01	0.96
	LOW	1225	0.95	0.98	0.95
	HIGH	1575	0.99	1.04	0.97
4CXAC043AC3+TUD140R9V5	NOMINAL	1400	0.97	1.02	0.96
	LOW	1225	0.95	0.99	0.95
	HIGH	1575	0.99	1.05	0.97
4CXAC043AC3+TUD1C080A9H4	NOMINAL	1400	0.97	1.02	0.96
	LOW	1225	0.95	0.99	0.95
	HIGH	1575	0.99	1.05	0.97
4CXAC043AC3+TUD1D120A9H5	NOMINAL	1400	0.98	1.02	0.97
	LOW	1225	0.96	0.99	0.96
	HIGH	1575	1.00	1.05	0.98
4CXAC043AC3+TUD1D140A9H5	NOMINAL	1400	0.97	1.01	0.96
	LOW	1225	0.95	0.98	0.95
	HIGH	1575	0.98	1.04	0.97
4CXAC043AC3+TUX1C100A9H4	NOMINAL	1400	0.97	1.01	0.96
	LOW	1225	0.95	0.98	0.95
	HIGH	1575	0.99	1.04	0.97
4CXAC043AC3+TUY100R9V4	NOMINAL	1400	0.97	1.00	0.96
	LOW	1225	0.95	0.97	0.95
	HIGH	1575	0.99	1.03	0.97
4CXAC043AC3+TUY120R9V5	NOMINAL	1400	0.97	1.00	0.94
	LOW	1225	0.95	0.97	0.93
	HIGH	1575	0.99	1.03	0.95
4CXAC049AC3	NOMINAL	1400	0.98	1.02	1.01
	LOW	1225	0.96	0.99	1.00
	HIGH	1575	1.00	1.05	1.02
4CXAC049AC3+TDD100R9V5	NOMINAL	1400	0.99	1.04	0.99
	LOW	1225	0.97	1.01	0.98
	HIGH	1575	1.01	1.07	0.99
4CXAC049AC3+TDD120R9V5	NOMINAL	1400	0.99	1.04	0.99
	LOW	1225	0.97	1.01	0.98
	HIGH	1575	1.01	1.07	0.99
4CXAC049AC3+TDD1C100A9H5	NOMINAL	1400	0.99	1.04	0.99
	LOW	1225	0.97	1.01	0.98
	HIGH	1575	1.01	1.07	0.99
4CXAC049AC3+TDD1D120A9H5	NOMINAL	1400	0.99	1.04	0.99
	LOW	1225	0.97	1.01	0.98
	HIGH	1575	1.01	1.07	0.99
4CXAC049AC3+TDX1C100A9H4	NOMINAL	1400	1.01	1.05	0.99
	LOW	1225	0.99	1.02	0.98
	HIGH	1575	1.03	1.08	1.00
4CXAC049AC3+TDX1D120A9H5	NOMINAL	1400	0.99	1.04	0.99
	LOW	1225	0.97	1.01	0.98
	HIGH	1575	1.01	1.07	0.99
4CXAC049AC3+TDY100R9V4	NOMINAL	1400	0.99	1.03	0.97
	LOW	1225	0.97	1.00	0.96
	HIGH	1575	1.01	1.06	0.98
4CXAC049AC3+TDY120R9V5	NOMINAL	1400	1.00	1.03	0.97
	LOW	1225	0.98	1.00	0.96
	HIGH	1575	1.02	1.06	0.98
4CXAC049AC3+TUD080R9V4	NOMINAL	1400	1.00	1.04	0.99
	LOW	1225	0.98	1.01	0.98
	HIGH	1575	1.02	1.07	0.99
4CXAC049AC3+TUD100R9V5	NOMINAL	1400	0.99	1.03	0.98
	LOW	1225	0.97	1.00	0.97
	HIGH	1575	1.01	1.06	0.99
4CXAC049AC3+TUD120R9V5	NOMINAL	1400	0.99	1.04	0.99
	LOW	1225	0.97	1.01	0.98
	HIGH	1575	1.01	1.07	0.99

CORRECTION FACTORS FOR OTHER COMBINATIONS (MULTIPLY DATA BY FACTOR)

INDOOR MODEL		CFM	MBTUH TOT	MBTUH SEN	SYST KW
4CXAC049AC3+TUD140R9V5	NOMINAL	1400	1.00	1.04	0.99
	LOW	1225	0.98	1.01	0.98
	HIGH	1575	1.02	1.07	0.99
4CXAC049AC3+TUD1C080A9H4	NOMINAL	1400	1.00	1.05	0.99
	LOW	1225	0.98	1.01	0.98
	HIGH	1575	1.02	1.08	0.99
4CXAC049AC3+TUD1C100A9H5	NOMINAL	1400	0.98	1.03	0.98
	LOW	1225	0.96	1.00	0.97
	HIGH	1575	1.00	1.06	0.99
4CXAC049AC3+TUD1D120A9H5	NOMINAL	1400	1.00	1.05	1.00
	LOW	1225	0.98	1.02	0.99
	HIGH	1575	1.02	1.08	1.01
4CXAC049AC3+TUD1D140A9H5	NOMINAL	1400	0.99	1.04	0.98
	LOW	1225	0.97	1.01	0.97
	HIGH	1575	1.01	1.07	0.99
4CXAC049AC3+TUX1C100A9H4	NOMINAL	1400	0.99	1.04	0.99
	LOW	1225	0.97	1.01	0.98
	HIGH	1575	1.01	1.07	0.99
4CXAC049AC3+TUX1D120A9H5	NOMINAL	1400	1.00	1.05	0.99
	LOW	1225	0.98	1.01	0.98
	HIGH	1575	1.02	1.08	1.00
4CXAC049AC3+TUY100R9V4	NOMINAL	1400	1.00	1.03	0.97
	LOW	1225	0.98	1.00	0.96
	HIGH	1575	1.02	1.06	0.98
4CXAC049AC3+TUY120R9V5	NOMINAL	1400	1.00	1.03	0.97
	LOW	1225	0.98	1.00	0.96
	HIGH	1575	1.02	1.06	0.98
4CXAD050AC3	NOMINAL	1400	0.98	1.02	1.01
	LOW	1225	0.96	0.99	1.00
	HIGH	1575	1.00	1.05	1.02
4CXAD050AC3+TDD100R9V5	NOMINAL	1400	0.99	1.04	0.99
	LOW	1225	0.97	1.01	0.98
	HIGH	1575	1.01	1.07	0.99
4CXAD050AC3+TDD120R9V5	NOMINAL	1400	0.99	1.04	0.99
	LOW	1225	0.97	1.01	0.98
	HIGH	1575	1.01	1.07	0.99
4CXAD050AC3+TDD1C100A9H5	NOMINAL	1400	0.99	1.04	0.99
	LOW	1225	0.97	1.01	0.98
	HIGH	1575	1.01	1.07	0.99
4CXAD050AC3+TDD1D120A9H5	NOMINAL	1400	1.00	1.05	1.00
	LOW	1225	0.98	1.02	0.99
	HIGH	1575	1.02	1.08	1.01
4CXAD050AC3+TDX1C100A9H4	NOMINAL	1400	1.00	1.05	0.99
	LOW	1225	0.98	1.02	0.98
	HIGH	1575	1.02	1.08	1.00
4CXAD050AC3+TDX1D120A9H5	NOMINAL	1400	0.99	1.04	0.99
	LOW	1225	0.97	1.01	0.98
	HIGH	1575	1.01	1.07	0.99
4CXAD050AC3+TDY100R9V4	NOMINAL	1400	0.99	1.03	0.97
	LOW	1225	0.97	1.00	0.96
	HIGH	1575	1.01	1.06	0.98
4CXAD050AC3+TDY120R9V5	NOMINAL	1400	1.00	1.03	0.97
	LOW	1225	0.98	1.00	0.96
	HIGH	1575	1.02	1.06	0.98
4CXAD050AC3+TUD080R9V4	NOMINAL	1400	1.00	1.04	0.99
	LOW	1225	0.98	1.01	0.98
	HIGH	1575	1.02	1.07	0.99
4CXAD050AC3+TUD100R9V5	NOMINAL	1400	0.99	1.04	0.98
	LOW	1225	0.97	1.01	0.97
	HIGH	1575	1.01	1.07	0.99
4CXAD050AC3+TUD120R9V5	NOMINAL	1400	1.00	1.04	0.99
	LOW	1225	0.98	1.01	0.98
	HIGH	1575	1.02	1.07	0.99



# Performance Data Cooling

## 4TTB3042A1

**CORRECTION FACTORS FOR OTHER COMBINATIONS (MULTIPLY DATA BY FACTOR)**

INDOOR MODEL		CFM	MBTUH TOT	MBTUH SEN	SYST KW
4CXAD050AC3+TUD140R9V5	NOMINAL	1400	1.00	1.05	0.99
	LOW	1225	0.98	1.01	0.98
	HIGH	1575	1.02	1.08	0.99
4CXAD050AC3+TUD1C080A9H4	NOMINAL	1400	0.99	1.04	0.99
	LOW	1225	0.97	1.01	0.98
	HIGH	1575	1.01	1.07	0.99
4CXAD050AC3+TUD1C100A9H5	NOMINAL	1400	0.99	1.04	0.99
	LOW	1225	0.97	1.01	0.98
	HIGH	1575	1.01	1.07	1.00
4CXAD050AC3+TUD1D120A9H5	NOMINAL	1400	1.00	1.05	1.00
	LOW	1225	0.98	1.02	0.99
	HIGH	1575	1.02	1.08	1.01
4CXAD050AC3+TUD1D140A9H5	NOMINAL	1400	1.00	1.05	1.00
	LOW	1225	0.98	1.02	0.99
	HIGH	1575	1.02	1.08	1.01
4CXAD050AC3+TUX1C100A9H4	NOMINAL	1400	0.99	1.04	0.99
	LOW	1225	0.97	1.01	0.98
	HIGH	1575	1.01	1.07	0.99
4CXAD050AC3+TUX1D120A9H5	NOMINAL	1400	0.99	1.04	0.99
	LOW	1225	0.97	1.01	0.98
	HIGH	1575	1.01	1.07	1.00
4CXAD050AC3+TUY100R9V4	NOMINAL	1400	1.00	1.03	0.97
	LOW	1225	0.98	1.00	0.96
	HIGH	1575	1.02	1.06	0.98
4CXAD050AC3+TUY120R9V5	NOMINAL	1400	1.00	1.04	0.97
	LOW	1225	0.98	1.01	0.96
	HIGH	1575	1.02	1.07	0.98
4CXCB042AC3+TDD100R9V5	NOMINAL	1400	0.96	1.00	0.96
	LOW	1225	0.94	0.97	0.95
	HIGH	1575	0.98	1.03	0.97
4CXCB042AC3+TDD120R9V5	NOMINAL	1400	0.97	1.01	0.96
	LOW	1225	0.95	0.98	0.95
	HIGH	1575	0.99	1.04	0.97
4CXCB042AC3+TDD1C100A9H5	NOMINAL	1400	0.98	1.02	0.96
	LOW	1225	0.96	0.99	0.95
	HIGH	1575	1.00	1.05	0.97
4CXCB042AC3+TDD1D120A9H5	NOMINAL	1400	0.97	1.02	0.96
	LOW	1225	0.96	0.99	0.95
	HIGH	1575	0.99	1.05	0.97
4CXCB042AC3+TDX1C100A9H4	NOMINAL	1400	0.98	1.02	0.95
	LOW	1225	0.96	0.99	0.94
	HIGH	1575	1.00	1.05	0.96
4CXCB042AC3+TDX1D120A9H5	NOMINAL	1400	0.96	1.00	0.97
	LOW	1225	0.94	0.97	0.96
	HIGH	1575	0.98	1.03	0.98
4CXCB042AC3+TDY100R9V4	NOMINAL	1400	0.97	1.00	0.96
	LOW	1225	0.95	0.97	0.95
	HIGH	1575	0.99	1.03	0.97
4CXCB042AC3+TDY120R9V5	NOMINAL	1400	0.97	1.00	0.96
	LOW	1225	0.95	0.97	0.95
	HIGH	1575	0.99	1.03	0.97
4CXCB042AC3+TUD080R9V4	NOMINAL	1400	0.96	1.00	0.97
	LOW	1225	0.94	0.97	0.96
	HIGH	1575	0.98	1.03	0.98
4CXCB042AC3+TUD100R9V5	NOMINAL	1400	0.96	1.00	1.00
	LOW	1225	0.94	0.97	0.99
	HIGH	1575	0.98	1.03	1.01
4CXCB042AC3+TUD120R9V5	NOMINAL	1400	0.97	1.01	0.98
	LOW	1225	0.95	0.98	0.97
	HIGH	1575	0.99	1.04	0.99
4CXCB042AC3+TUD140R9V5	NOMINAL	1400	0.97	1.01	0.98
	LOW	1225	0.95	0.98	0.97
	HIGH	1575	0.99	1.04	0.99

**CORRECTION FACTORS FOR OTHER COMBINATIONS (MULTIPLY DATA BY FACTOR)**

INDOOR MODEL		CFM	MBTUH TOT	MBTUH SEN	SYST KW
4CXCB042AC3+TUD1C080A9H4	NOMINAL	1400	0.98	1.02	0.96
	LOW	1225	0.96	0.99	0.95
	HIGH	1575	1.00	1.05	0.97
4CXCB042AC3+TUD1C100A9H5	NOMINAL	1400	0.97	1.01	0.98
	LOW	1225	0.95	0.98	0.97
	HIGH	1575	0.98	1.04	0.99
4CXCB042AC3+TUD1D120A9H5	NOMINAL	1400	0.97	1.01	0.96
	LOW	1225	0.95	0.98	0.95
	HIGH	1575	0.99	1.04	0.97
4CXCB042AC3+TUD1D140A9H5	NOMINAL	1400	0.97	1.01	0.96
	LOW	1225	0.95	0.98	0.95
	HIGH	1575	0.99	1.04	0.97
4CXCB042AC3+TUX1C100A9H4	NOMINAL	1400	0.97	1.02	0.96
	LOW	1225	0.96	0.99	0.95
	HIGH	1575	0.99	1.05	0.97
4CXCB042AC3+TUX1D120A9H5	NOMINAL	1400	0.97	1.01	0.98
	LOW	1225	0.95	0.98	0.97
	HIGH	1575	0.98	1.04	0.99
4CXCB042AC3+TUY100R9V4	NOMINAL	1400	0.97	1.00	0.96
	LOW	1225	0.95	0.97	0.95
	HIGH	1575	0.99	1.03	0.97
4CXCB042AC3+TUY120R9V5	NOMINAL	1400	0.97	1.00	0.96
	LOW	1225	0.95	0.97	0.95
	HIGH	1575	0.99	1.03	0.97
4CXCB048AC3	NOMINAL	1400	0.98	1.02	0.97
	LOW	1225	0.96	0.99	0.96
	HIGH	1575	1.00	1.05	0.98
4CXCB048AC3+TDD100R9V5	NOMINAL	1400	0.99	1.04	0.98
	LOW	1225	0.97	1.01	0.97
	HIGH	1575	1.01	1.07	0.99
4CXCB048AC3+TDD120R9V5	NOMINAL	1400	0.99	1.04	0.98
	LOW	1225	0.97	1.01	0.97
	HIGH	1575	1.01	1.07	0.99
4CXCB048AC3+TDD1C100A9H5	NOMINAL	1400	0.99	1.04	0.98
	LOW	1225	0.97	1.01	0.97
	HIGH	1575	1.01	1.07	0.99
4CXCB048AC3+TDD1D120A9H5	NOMINAL	1400	1.00	1.04	0.99
	LOW	1225	0.98	1.01	0.98
	HIGH	1575	1.02	1.07	1.00
4CXCB048AC3+TDX1C100A9H4	NOMINAL	1400	0.98	1.03	1.00
	LOW	1225	0.96	1.00	0.99
	HIGH	1575	1.00	1.06	1.01
4CXCB048AC3+TDX1D120A9H5	NOMINAL	1400	0.99	1.03	0.97
	LOW	1225	0.97	1.00	0.96
	HIGH	1575	1.01	1.06	0.98
4CXCB048AC3+TDY100R9V4	NOMINAL	1400	0.99	1.03	0.99
	LOW	1225	0.97	1.00	0.98
	HIGH	1575	1.01	1.06	1.00
4CXCB048AC3+TDY120R9V5	NOMINAL	1400	1.00	1.03	0.97
	LOW	1225	0.98	1.00	0.96
	HIGH	1575	1.02	1.06	0.98
4CXCB048AC3+TUD080R9V4	NOMINAL	1400	0.98	1.03	0.97
	LOW	1225	0.96	1.00	0.96
	HIGH	1575	1.00	1.06	0.98
4CXCB048AC3+TUD100R9V5	NOMINAL	1400	0.99	1.03	1.00
	LOW	1225	0.97	1.00	0.99
	HIGH	1575	1.01	1.06	1.01
4CXCB048AC3+TUD120R9V5	NOMINAL	1400	0.99	1.04	0.99
	LOW	1225	0.97	1.01	0.98
	HIGH	1575	1.01	1.07	0.99
4CXCB048AC3+TUD140R9V5	NOMINAL	1400	0.98	1.03	0.97
	LOW	1225	0.96	1.00	0.96
	HIGH	1575	1.00	1.06	0.98



# Performance Data Cooling

## 4TTB3042A1

**CORRECTION FACTORS FOR OTHER COMBINATIONS (MULTIPLY DATA BY FACTOR)**

INDOOR MODEL		CFM	MBTUH TOT	MBTUH SEN	SYST KW
4XCXB048AC3+TUD1C080A9H4	NOMINAL	1400	0.99	1.04	0.98
	LOW	1225	0.97	1.01	0.97
	HIGH	1575	1.01	1.07	0.99
4XCXB048AC3+TUD1C100A9H5	NOMINAL	1400	0.99	1.04	0.98
	LOW	1225	0.97	1.01	0.97
	HIGH	1575	1.01	1.07	0.99
4XCXB048AC3+TUD1D120A9H5	NOMINAL	1400	1.00	1.04	0.99
	LOW	1225	0.98	1.01	0.98
	HIGH	1575	1.02	1.07	1.00
4XCXB048AC3+TUD1D140A9H5	NOMINAL	1400	1.00	1.04	0.99
	LOW	1225	0.98	1.01	0.98
	HIGH	1575	1.02	1.07	0.99
4XCXB048AC3+TUX1C100A9H4	NOMINAL	1400	0.99	1.03	0.97
	LOW	1225	0.97	1.00	0.96
	HIGH	1575	1.01	1.06	0.98
4XCXB048AC3+TUX1D120A9H5	NOMINAL	1400	0.99	1.04	0.99
	LOW	1225	0.97	1.01	0.98
	HIGH	1575	1.01	1.07	0.99
4XCXB048AC3+TUY100R9V4	NOMINAL	1400	0.99	1.03	0.97
	LOW	1225	0.97	1.00	0.96
	HIGH	1575	1.01	1.06	0.98
4XCXB048AC3+TUY120R9V5	NOMINAL	1400	1.00	1.03	0.97
	LOW	1225	0.98	1.00	0.96
	HIGH	1575	1.02	1.06	0.98
4CXCC043AC3+TDD100R9V5	NOMINAL	1400	0.97	1.01	0.98
	LOW	1225	0.95	0.98	0.97
	HIGH	1575	0.99	1.04	0.99
4CXCC043AC3+TDD120R9V5	NOMINAL	1400	0.97	1.01	0.96
	LOW	1225	0.95	0.98	0.95
	HIGH	1575	0.99	1.04	0.97
4CXCC043AC3+TDD1C100A9H5	NOMINAL	1400	0.97	1.01	0.96
	LOW	1225	0.95	0.98	0.95
	HIGH	1575	0.99	1.04	0.97
4CXCC043AC3+TDD1D120A9H5	NOMINAL	1400	0.97	1.01	0.96
	LOW	1225	0.95	0.98	0.95
	HIGH	1575	0.99	1.04	0.97
4CXCC043AC3+TDX1C100A9H4	NOMINAL	1400	0.98	1.03	0.96
	LOW	1225	0.96	1.00	0.95
	HIGH	1575	1.00	1.06	0.97
4CXCC043AC3+TDX1D120A9H5	NOMINAL	1400	0.97	1.01	0.98
	LOW	1225	0.95	0.98	0.97
	HIGH	1575	0.99	1.04	0.99
4CXCC043AC3+TDY100R9V4	NOMINAL	1400	0.97	1.00	0.96
	LOW	1225	0.95	0.97	0.95
	HIGH	1575	0.99	1.03	0.97
4CXCC043AC3+TDY120R9V5	NOMINAL	1400	0.97	1.00	0.96
	LOW	1225	0.95	0.97	0.95
	HIGH	1575	0.99	1.03	0.97
4CXCC043AC3+TUD080R9V4	NOMINAL	1400	0.97	1.01	0.96
	LOW	1225	0.95	0.98	0.95
	HIGH	1575	0.99	1.04	0.97
4CXCC043AC3+TUD100R9V5	NOMINAL	1400	0.96	1.01	0.98
	LOW	1225	0.94	0.98	0.97
	HIGH	1575	0.98	1.04	0.99
4CXCC043AC3+TUD120R9V5	NOMINAL	1400	0.97	1.01	0.96
	LOW	1225	0.95	0.98	0.95
	HIGH	1575	0.99	1.04	0.97
4CXCC043AC3+TUD140R9V5	NOMINAL	1400	0.97	1.02	0.96
	LOW	1225	0.95	0.99	0.95
	HIGH	1575	0.99	1.05	0.97
4CXCC043AC3+TUD1C080A9H4	NOMINAL	1400	0.97	1.02	0.96
	LOW	1225	0.95	0.99	0.95
	HIGH	1575	0.99	1.05	0.97

**CORRECTION FACTORS FOR OTHER COMBINATIONS (MULTIPLY DATA BY FACTOR)**

INDOOR MODEL		CFM	MBTUH TOT	MBTUH SEN	SYST KW
4CXCC043AC3+TUD1D120A9H5	NOMINAL	1400	0.98	1.02	0.97
	LOW	1225	0.96	0.99	0.96
	HIGH	1575	1.00	1.05	0.98
4CXCC043AC3+TUD1D140A9H5	NOMINAL	1400	0.97	1.01	0.96
	LOW	1225	0.95	0.98	0.95
	HIGH	1575	0.98	1.04	0.97
4CXCC043AC3+TUX1C100A9H4	NOMINAL	1400	0.97	1.01	0.96
	LOW	1225	0.95	0.98	0.95
	HIGH	1575	0.99	1.04	0.97
4CXCC043AC3+TUY100R9V4	NOMINAL	1400	0.97	1.00	0.96
	LOW	1225	0.95	0.97	0.95
	HIGH	1575	0.99	1.03	0.97
4CXCC043AC3+TUY120R9V5	NOMINAL	1400	0.97	1.00	0.94
	LOW	1225	0.95	0.97	0.93
	HIGH	1575	0.99	1.03	0.95
4CXCC049AC3	NOMINAL	1400	0.98	1.02	1.01
	LOW	1225	0.96	0.99	1.00
	HIGH	1575	1.00	1.05	1.02
4CXCC049AC3+TDD100R9V5	NOMINAL	1400	0.99	1.04	0.99
	LOW	1225	0.97	1.01	0.98
	HIGH	1575	1.01	1.07	0.99
4CXCC049AC3+TDD120R9V5	NOMINAL	1400	0.99	1.04	0.99
	LOW	1225	0.97	1.01	0.98
	HIGH	1575	1.01	1.07	0.99
4CXCC049AC3+TDD1C100A9H5	NOMINAL	1400	0.99	1.04	0.99
	LOW	1225	0.97	1.01	0.98
	HIGH	1575	1.01	1.07	0.99
4CXCC049AC3+TDD1D120A9H5	NOMINAL	1400	0.99	1.04	0.99
	LOW	1225	0.97	1.01	0.98
	HIGH	1575	1.01	1.07	0.99
4CXCC049AC3+TDX1C100A9H4	NOMINAL	1400	1.01	1.05	0.99
	LOW	1225	0.99	1.02	0.98
	HIGH	1575	1.03	1.08	1.00
4CXCC049AC3+TDX1D120A9H5	NOMINAL	1400	0.99	1.04	0.99
	LOW	1225	0.97	1.01	0.98
	HIGH	1575	1.01	1.07	0.99
4CXCC049AC3+TDY100R9V4	NOMINAL	1400	0.99	1.03	0.97
	LOW	1225	0.97	1.00	0.96
	HIGH	1575	1.01	1.06	0.98
4CXCC049AC3+TDY120R9V5	NOMINAL	1400	1.00	1.03	0.97
	LOW	1225	0.98	1.00	0.96
	HIGH	1575	1.02	1.06	0.98
4CXCC049AC3+TUD080R9V4	NOMINAL	1400	1.00	1.04	0.99
	LOW	1225	0.98	1.01	0.98
	HIGH	1575	1.02	1.07	0.99
4CXCC049AC3+TUD100R9V5	NOMINAL	1400	0.99	1.03	0.98
	LOW	1225	0.97	1.00	0.97
	HIGH	1575	1.01	1.06	0.99
4CXCC049AC3+TUD120R9V5	NOMINAL	1400	0.99	1.04	0.99
	LOW	1225	0.97	1.01	0.98
	HIGH	1575	1.01	1.07	0.99
4CXCC049AC3+TUD140R9V5	NOMINAL	1400	1.00	1.04	0.99
	LOW	1225	0.98	1.01	0.98
	HIGH	1575	1.02	1.07	0.99
4CXCC049AC3+TUD1C080A9H4	NOMINAL	1400	1.00	1.05	0.99
	LOW	1225	0.98	1.01	0.98
	HIGH	1575	1.02	1.08	0.99
4CXCC049AC3+TUD1C100A9H5	NOMINAL	1400	0.98	1.03	0.98
	LOW	1225	0.96	1.00	0.97
	HIGH	1575	1.00	1.06	0.99
4CXCC049AC3+TUD1D120A9H5	NOMINAL	1400	1.00	1.05	1.00
	LOW	1225	0.98	1.02	0.99
	HIGH	1575	1.02	1.08	1.01



# Performance Data Cooling

## 4TTB3042A1

**CORRECTION FACTORS FOR OTHER COMBINATIONS (MULTIPLY DATA BY FACTOR)**

INDOOR MODEL		CFM	MBTUH TOT	MBTUH SEN	SYST KW
4CXCC049AC3+TUD1D140A9H5	NOMINAL	1400	0.99	1.04	0.98
	LOW	1225	0.97	1.01	0.97
	HIGH	1575	1.01	1.07	0.99
4CXCC049AC3+TUX1C100A9H4	NOMINAL	1400	0.99	1.04	0.99
	LOW	1225	0.97	1.01	0.98
	HIGH	1575	1.01	1.07	0.99
4CXCC049AC3+TUX1D120A9H5	NOMINAL	1400	1.00	1.05	0.99
	LOW	1225	0.98	1.01	0.98
	HIGH	1575	1.02	1.08	1.00
4CXCC049AC3+TUY100R9V4	NOMINAL	1400	1.00	1.03	0.97
	LOW	1225	0.98	1.00	0.96
	HIGH	1575	1.02	1.06	0.98
4CXCC049AC3+TUY120R9V5	NOMINAL	1400	1.00	1.03	0.97
	LOW	1225	0.98	1.00	0.96
	HIGH	1575	1.02	1.06	0.98
4CXCD050AC3	NOMINAL	1400	0.98	1.02	1.01
	LOW	1225	0.96	0.99	1.00
	HIGH	1575	1.00	1.05	1.02
4CXCD050AC3+TDD100R9V5	NOMINAL	1400	0.99	1.04	0.99
	LOW	1225	0.97	1.01	0.98
	HIGH	1575	1.01	1.07	0.99
4CXCD050AC3+TDD120R9V5	NOMINAL	1400	0.99	1.04	0.99
	LOW	1225	0.97	1.01	0.98
	HIGH	1575	1.01	1.07	0.99
4CXCD050AC3+TDD1C100A9H5	NOMINAL	1400	0.99	1.04	0.99
	LOW	1225	0.97	1.01	0.98
	HIGH	1575	1.01	1.07	0.99
4CXCD050AC3+TDD1D120A9H5	NOMINAL	1400	1.00	1.05	1.00
	LOW	1225	0.98	1.02	0.99
	HIGH	1575	1.02	1.08	1.01
4CXCD050AC3+TDX1C100A9H4	NOMINAL	1400	1.00	1.05	0.99
	LOW	1225	0.98	1.02	0.98
	HIGH	1575	1.02	1.08	1.00
4CXCD050AC3+TDX1D120A9H5	NOMINAL	1400	0.99	1.04	0.99
	LOW	1225	0.97	1.01	0.98
	HIGH	1575	1.01	1.07	0.99
4CXCD050AC3+TDY100R9V4	NOMINAL	1400	0.99	1.03	0.97
	LOW	1225	0.97	1.00	0.96
	HIGH	1575	1.01	1.06	0.98
4CXCD050AC3+TDY120R9V5	NOMINAL	1400	1.00	1.03	0.97
	LOW	1225	0.98	1.00	0.96
	HIGH	1575	1.02	1.06	0.98
4CXCD050AC3+TUD080R9V4	NOMINAL	1400	1.00	1.04	0.99
	LOW	1225	0.98	1.01	0.98
	HIGH	1575	1.02	1.07	0.99
4CXCD050AC3+TUD100R9V5	NOMINAL	1400	0.99	1.04	0.98
	LOW	1225	0.97	1.01	0.97
	HIGH	1575	1.01	1.07	0.99
4CXCD050AC3+TUD120R9V5	NOMINAL	1400	1.00	1.04	0.99
	LOW	1225	0.98	1.01	0.98
	HIGH	1575	1.02	1.07	0.99
4CXCD050AC3+TUD140R9V5	NOMINAL	1400	1.00	1.05	0.99
	LOW	1225	0.98	1.01	0.98
	HIGH	1575	1.02	1.08	0.99
4CXCD050AC3+TUD1C080A9H4	NOMINAL	1400	0.99	1.04	0.99
	LOW	1225	0.97	1.01	0.98
	HIGH	1575	1.01	1.07	0.99
4CXCD050AC3+TUD1C100A9H5	NOMINAL	1400	0.99	1.04	0.99
	LOW	1225	0.97	1.01	0.98
	HIGH	1575	1.01	1.07	1.00
4CXCD050AC3+TUD1D120A9H5	NOMINAL	1400	1.00	1.05	1.00
	LOW	1225	0.98	1.02	0.99
	HIGH	1575	1.02	1.08	1.01

**CORRECTION FACTORS FOR OTHER COMBINATIONS (MULTIPLY DATA BY FACTOR)**

INDOOR MODEL		CFM	MBTUH TOT	MBTUH SEN	SYST KW
4CXCD050AC3+TUD1D140A9H5	NOMINAL	1400	1.00	1.05	1.00
	LOW	1225	0.98	1.02	0.99
	HIGH	1575	1.02	1.08	1.01
4CXCD050AC3+TUX1C100A9H4	NOMINAL	1400	0.99	1.04	0.99
	LOW	1225	0.97	1.01	0.98
	HIGH	1575	1.01	1.07	0.99
4CXCD050AC3+TUX1D120A9H5	NOMINAL	1400	0.99	1.04	0.99
	LOW	1225	0.97	1.01	0.98
	HIGH	1575	1.01	1.07	1.00
4CXCD050AC3+TUY100R9V4	NOMINAL	1400	1.00	1.03	0.97
	LOW	1225	0.98	1.00	0.96
	HIGH	1575	1.02	1.06	0.98
4CXCD050AC3+TUY120R9V5	NOMINAL	1400	1.00	1.04	0.97
	LOW	1225	0.98	1.01	0.96
	HIGH	1575	1.02	1.07	0.98
4TEC3F42A1	NOMINAL	1400	1.00	1.01	1.01
	LOW	1225	0.98	0.98	1.00
	HIGH	1575	1.02	1.04	1.02
4TEC3F48A1	NOMINAL	1400	1.01	1.05	1.00
	LOW	1225	0.99	1.01	0.99
	HIGH	1575	1.03	1.08	1.01
4TEP3F42A1	NOMINAL	1400	0.98	1.00	0.99
	LOW	1225	0.96	0.97	0.98
	HIGH	1575	1.00	1.03	1.00
4TXCB036AS3	NOMINAL	1400	0.99	1.02	0.99
	LOW	1225	0.97	0.99	0.98
	HIGH	1575	1.01	1.05	0.99
4TXCB036AS3+TDD080R9V3	NOMINAL	1400	0.99	1.03	1.00
	LOW	1225	0.97	1.00	0.99
	HIGH	1575	1.01	1.06	1.01
4TXCB036AS3+TDD1B080A9H3	NOMINAL	1400	1.00	1.04	0.97
	LOW	1225	0.98	1.01	0.96
	HIGH	1575	1.02	1.07	0.98
4TXCB036AS3+TUD080R9V3	NOMINAL	1400	0.98	1.02	1.01
	LOW	1225	0.96	0.99	1.00
	HIGH	1575	1.00	1.05	1.02
4TXCB036AS3+TUD1B080A9H3	NOMINAL	1400	1.01	1.04	0.97
	LOW	1225	0.99	1.01	0.96
	HIGH	1575	1.03	1.07	0.98
4TXCB036AS3+TUX1B080A9H3	NOMINAL	1400	1.00	1.04	0.98
	LOW	1225	0.98	1.01	0.97
	HIGH	1575	1.02	1.07	0.99
4TXCB036AS3+TUY080R9V3	NOMINAL	1400	1.00	1.03	0.97
	LOW	1225	0.98	1.00	0.96
	HIGH	1575	1.02	1.06	0.98
4TXCB042AC3+TDD100R9V5	NOMINAL	1400	0.96	1.00	0.96
	LOW	1225	0.94	0.97	0.95
	HIGH	1575	0.98	1.03	0.97
4TXCB042AC3+TDD120R9V5	NOMINAL	1400	0.97	1.01	0.96
	LOW	1225	0.95	0.98	0.95
	HIGH	1575	0.99	1.04	0.97
4TXCB042AC3+TDD1C100A9H5	NOMINAL	1400	0.98	1.02	0.96
	LOW	1225	0.96	0.99	0.95
	HIGH	1575	1.00	1.05	0.97
4TXCB042AC3+TDD1D120A9H5	NOMINAL	1400	0.97	1.02	0.96
	LOW	1225	0.96	0.99	0.95
	HIGH	1575	0.99	1.05	0.97
4TXCB042AC3+TDX1C100A9H4	NOMINAL	1400	0.98	1.02	0.95
	LOW	1225	0.96	0.99	0.94
	HIGH	1575	1.00	1.05	0.96
4TXCB042AC3+TDX1D120A9H5	NOMINAL	1400	0.96	1.00	0.97
	LOW	1225	0.94	0.97	0.96
	HIGH	1575	0.98	1.03	0.98



# Performance Data Cooling

## 4TTB3042A1

CORRECTION FACTORS FOR OTHER COMBINATIONS (MULTIPLY DATA BY FACTOR)

INDOOR MODEL		CFM	MBTUH TOT	MBTUH SEN	SYST KW
4TXCB042AC3+TDY100R9V4	NOMINAL	1400	0.97	1.00	0.96
	LOW	1225	0.95	0.97	0.95
	HIGH	1575	0.99	1.03	0.97
4TXCB042AC3+TDY120R9V5	NOMINAL	1400	0.97	1.00	0.96
	LOW	1225	0.95	0.97	0.95
	HIGH	1575	0.99	1.03	0.97
4TXCB042AC3+TUD080R9V4	NOMINAL	1400	0.96	1.00	0.97
	LOW	1225	0.94	0.97	0.96
	HIGH	1575	0.98	1.03	0.98
4TXCB042AC3+TUD100R9V5	NOMINAL	1400	0.96	1.00	1.00
	LOW	1225	0.94	0.97	0.99
	HIGH	1575	0.98	1.03	1.01
4TXCB042AC3+TUD120R9V5	NOMINAL	1400	0.97	1.01	0.98
	LOW	1225	0.95	0.98	0.97
	HIGH	1575	0.99	1.04	0.99
4TXCB042AC3+TUD140R9V5	NOMINAL	1400	0.97	1.01	0.98
	LOW	1225	0.95	0.98	0.97
	HIGH	1575	0.99	1.04	0.99
4TXCB042AC3+TUD1C080A9H4	NOMINAL	1400	0.98	1.02	0.96
	LOW	1225	0.96	0.99	0.95
	HIGH	1575	1.00	1.05	0.97
4TXCB042AC3+TUD1C100A9H5	NOMINAL	1400	0.97	1.01	0.98
	LOW	1225	0.95	0.98	0.97
	HIGH	1575	0.98	1.04	0.99
4TXCB042AC3+TUD1D120A9H5	NOMINAL	1400	0.97	1.01	0.96
	LOW	1225	0.95	0.98	0.95
	HIGH	1575	0.99	1.04	0.97
4TXCB042AC3+TUD1D140A9H5	NOMINAL	1400	0.97	1.01	0.96
	LOW	1225	0.95	0.98	0.95
	HIGH	1575	0.99	1.04	0.97
4TXCB042AC3+TUX1C100A9H4	NOMINAL	1400	0.97	1.02	0.96
	LOW	1225	0.96	0.99	0.95
	HIGH	1575	0.99	1.05	0.97
4TXCB042AC3+TUX1D120A9H5	NOMINAL	1400	0.97	1.01	0.98
	LOW	1225	0.95	0.98	0.97
	HIGH	1575	0.98	1.04	0.99
4TXCB042AC3+TUY100R9V4	NOMINAL	1400	0.97	1.00	0.96
	LOW	1225	0.95	0.97	0.95
	HIGH	1575	0.99	1.03	0.97
4TXCB042AC3+TUY120R9V5	NOMINAL	1400	0.97	1.00	0.96
	LOW	1225	0.95	0.97	0.95
	HIGH	1575	0.99	1.03	0.97
4TXCB048AC3	NOMINAL	1400	0.98	1.02	0.97
	LOW	1225	0.96	0.99	0.96
	HIGH	1575	1.00	1.05	0.98
4TXCB048AC3+TDD100R9V5	NOMINAL	1400	0.99	1.04	0.98
	LOW	1225	0.97	1.01	0.97
	HIGH	1575	1.01	1.07	0.99
4TXCB048AC3+TDD120R9V5	NOMINAL	1400	0.99	1.04	0.98
	LOW	1225	0.97	1.01	0.97
	HIGH	1575	1.01	1.07	0.99
4TXCB048AC3+TDD1C100A9H5	NOMINAL	1400	0.99	1.04	0.98
	LOW	1225	0.97	1.01	0.97
	HIGH	1575	1.01	1.07	0.99
4TXCB048AC3+TDD1D120A9H5	NOMINAL	1400	1.00	1.04	0.99
	LOW	1225	0.98	1.01	0.98
	HIGH	1575	1.02	1.07	1.00
4TXCB048AC3+TDX1C100A9H4	NOMINAL	1400	0.98	1.03	1.00
	LOW	1225	0.96	1.00	0.99
	HIGH	1575	1.00	1.06	1.01
4TXCB048AC3+TDX1D120A9H5	NOMINAL	1400	0.99	1.03	0.97
	LOW	1225	0.97	1.00	0.96
	HIGH	1575	1.01	1.06	0.98

CORRECTION FACTORS FOR OTHER COMBINATIONS (MULTIPLY DATA BY FACTOR)

INDOOR MODEL		CFM	MBTUH TOT	MBTUH SEN	SYST KW
4TXCB048AC3+TDY100R9V4	NOMINAL	1400	0.99	1.03	0.99
	LOW	1225	0.97	1.00	0.98
	HIGH	1575	1.01	1.06	1.00
4TXCB048AC3+TDY120R9V5	NOMINAL	1400	1.00	1.03	0.97
	LOW	1225	0.98	1.00	0.96
	HIGH	1575	1.02	1.06	0.98
4TXCB048AC3+TUD080R9V4	NOMINAL	1400	0.98	1.03	0.97
	LOW	1225	0.96	1.00	0.96
	HIGH	1575	1.00	1.06	0.98
4TXCB048AC3+TUD100R9V5	NOMINAL	1400	0.99	1.03	1.00
	LOW	1225	0.97	1.00	0.99
	HIGH	1575	1.01	1.06	1.01
4TXCB048AC3+TUD120R9V5	NOMINAL	1400	0.99	1.04	0.99
	LOW	1225	0.97	1.01	0.98
	HIGH	1575	1.01	1.07	0.99
4TXCB048AC3+TUD140R9V5	NOMINAL	1400	0.98	1.03	0.97
	LOW	1225	0.96	1.00	0.96
	HIGH	1575	1.00	1.06	0.98
4TXCB048AC3+TUD1C080A9H4	NOMINAL	1400	0.99	1.04	0.98
	LOW	1225	0.97	1.01	0.97
	HIGH	1575	1.01	1.07	0.99
4TXCB048AC3+TUD1C100A9H5	NOMINAL	1400	0.99	1.04	0.98
	LOW	1225	0.97	1.01	0.97
	HIGH	1575	1.01	1.07	0.99
4TXCB048AC3+TUD1D120A9H5	NOMINAL	1400	1.00	1.04	0.99
	LOW	1225	0.98	1.01	0.98
	HIGH	1575	1.02	1.07	1.00
4TXCB048AC3+TUD1D140A9H5	NOMINAL	1400	1.00	1.04	0.99
	LOW	1225	0.98	1.01	0.98
	HIGH	1575	1.02	1.07	0.99
4TXCB048AC3+TUX1C100A9H4	NOMINAL	1400	0.99	1.03	0.97
	LOW	1225	0.97	1.00	0.96
	HIGH	1575	1.01	1.06	0.98
4TXCB048AC3+TUX1D120A9H5	NOMINAL	1400	0.99	1.04	0.99
	LOW	1225	0.97	1.01	0.98
	HIGH	1575	1.01	1.07	0.99
4TXCB048AC3+TUY100R9V4	NOMINAL	1400	0.99	1.03	0.97
	LOW	1225	0.97	1.00	0.96
	HIGH	1575	1.01	1.06	0.98
4TXCB048AC3+TUY120R9V5	NOMINAL	1400	1.00	1.03	0.97
	LOW	1225	0.98	1.00	0.96
	HIGH	1575	1.02	1.06	0.98
4TXCC037AS3	NOMINAL	1400	1.00	1.03	1.01
	LOW	1225	0.98	1.00	1.00
	HIGH	1575	1.02	1.06	1.02
4TXCC037AS3+TDD100R9V5	NOMINAL	1400	1.01	1.04	1.00
	LOW	1225	0.99	1.01	0.99
	HIGH	1575	1.03	1.07	1.01
4TXCC037AS3+TDX1C100A9H4	NOMINAL	1400	1.02	1.06	1.00
	LOW	1225	1.00	1.02	0.99
	HIGH	1575	1.04	1.09	1.01
4TXCC037AS3+TDY100R9V4	NOMINAL	1400	1.01	1.03	0.98
	LOW	1225	0.99	1.00	0.97
	HIGH	1575	1.03	1.06	0.99
4TXCC037AS3+TUD080R9V4	NOMINAL	1400	1.01	1.05	1.00
	LOW	1225	0.99	1.01	0.99
	HIGH	1575	1.03	1.08	1.01
4TXCC037AS3+TUD100R9V5	NOMINAL	1400	1.01	1.05	1.01
	LOW	1225	0.99	1.02	1.00
	HIGH	1575	1.03	1.08	1.02
4TXCC037AS3+TUD1C080A9H4	NOMINAL	1400	1.03	1.06	1.00
	LOW	1225	1.01	1.03	0.99
	HIGH	1575	1.05	1.09	1.01



# Performance Data Cooling

## 4TTB3042A1

**CORRECTION FACTORS FOR OTHER COMBINATIONS (MULTIPLY DATA BY FACTOR)**

INDOOR MODEL		CFM	MBTUH TOT	MBTUH SEN	SYST KW
4TXCC037AS3+TUY100R9V4	NOMINAL	1400	1.02	1.05	0.99
	LOW	1225	1.00	1.02	0.98
	HIGH	1575	1.04	1.08	1.00
4TXCC043AC3+TDD100R9V5	NOMINAL	1400	0.97	1.01	0.98
	LOW	1225	0.95	0.98	0.97
	HIGH	1575	0.99	1.04	0.99
4TXCC043AC3+TDD120R9V5	NOMINAL	1400	0.97	1.01	0.96
	LOW	1225	0.95	0.98	0.95
	HIGH	1575	0.99	1.04	0.97
4TXCC043AC3+TDD1C100A9H5	NOMINAL	1400	0.97	1.01	0.96
	LOW	1225	0.95	0.98	0.95
	HIGH	1575	0.99	1.04	0.97
4TXCC043AC3+TDD1D120A9H5	NOMINAL	1400	0.97	1.01	0.96
	LOW	1225	0.95	0.98	0.95
	HIGH	1575	0.99	1.04	0.97
4TXCC043AC3+TDX1C100A9H4	NOMINAL	1400	0.98	1.03	0.96
	LOW	1225	0.96	1.00	0.95
	HIGH	1575	1.00	1.06	0.97
4TXCC043AC3+TDX1D120A9H5	NOMINAL	1400	0.97	1.01	0.98
	LOW	1225	0.95	0.98	0.97
	HIGH	1575	0.99	1.04	0.99
4TXCC043AC3+TDY100R9V4	NOMINAL	1400	0.97	1.00	0.96
	LOW	1225	0.95	0.97	0.95
	HIGH	1575	0.99	1.03	0.97
4TXCC043AC3+TDY120R9V5	NOMINAL	1400	0.97	1.00	0.96
	LOW	1225	0.95	0.97	0.95
	HIGH	1575	0.99	1.03	0.97
4TXCC043AC3+TUD080R9V4	NOMINAL	1400	0.97	1.01	0.96
	LOW	1225	0.95	0.98	0.95
	HIGH	1575	0.99	1.04	0.97
4TXCC043AC3+TUD100R9V5	NOMINAL	1400	0.96	1.01	0.98
	LOW	1225	0.94	0.98	0.97
	HIGH	1575	0.98	1.04	0.99
4TXCC043AC3+TUD120R9V5	NOMINAL	1400	0.97	1.01	0.96
	LOW	1225	0.95	0.98	0.95
	HIGH	1575	0.99	1.04	0.97
4TXCC043AC3+TUD140R9V5	NOMINAL	1400	0.97	1.02	0.96
	LOW	1225	0.95	0.99	0.95
	HIGH	1575	0.99	1.05	0.97
4TXCC043AC3+TUD1C080A9H4	NOMINAL	1400	0.97	1.02	0.96
	LOW	1225	0.95	0.99	0.95
	HIGH	1575	0.99	1.05	0.97
4TXCC043AC3+TUD1D120A9H5	NOMINAL	1400	0.98	1.02	0.97
	LOW	1225	0.96	0.99	0.96
	HIGH	1575	1.00	1.05	0.98
4TXCC043AC3+TUD1D140A9H5	NOMINAL	1400	0.97	1.01	0.96
	LOW	1225	0.95	0.98	0.95
	HIGH	1575	0.98	1.04	0.97
4TXCC043AC3+TUX1C100A9H4	NOMINAL	1400	0.97	1.01	0.96
	LOW	1225	0.95	0.98	0.95
	HIGH	1575	0.99	1.04	0.97
4TXCC043AC3+TUY100R9V4	NOMINAL	1400	0.97	1.00	0.96
	LOW	1225	0.95	0.97	0.95
	HIGH	1575	0.99	1.03	0.97
4TXCC043AC3+TUY120R9V5	NOMINAL	1400	0.97	1.00	0.94
	LOW	1225	0.95	0.97	0.93
	HIGH	1575	0.99	1.03	0.95
4TXCC049AC3	NOMINAL	1400	0.98	1.02	1.01
	LOW	1225	0.96	0.99	1.00
	HIGH	1575	1.00	1.05	1.02
4TXCC049AC3+TDD100R9V5	NOMINAL	1400	0.99	1.04	0.99
	LOW	1225	0.97	1.01	0.98
	HIGH	1575	1.01	1.07	0.99

**CORRECTION FACTORS FOR OTHER COMBINATIONS (MULTIPLY DATA BY FACTOR)**

INDOOR MODEL		CFM	MBTUH TOT	MBTUH SEN	SYST KW
4TXCC049AC3+TDD120R9V5	NOMINAL	1400	0.99	1.04	0.99
	LOW	1225	0.97	1.01	0.98
	HIGH	1575	1.01	1.07	0.99
4TXCC049AC3+TDD1C100A9H5	NOMINAL	1400	0.99	1.04	0.99
	LOW	1225	0.97	1.01	0.98
	HIGH	1575	1.01	1.07	0.99
4TXCC049AC3+TDD1D120A9H5	NOMINAL	1400	0.99	1.04	0.99
	LOW	1225	0.97	1.01	0.98
	HIGH	1575	1.01	1.07	0.99
4TXCC049AC3+TDX1C100A9H4	NOMINAL	1400	1.01	1.05	0.99
	LOW	1225	0.99	1.02	0.98
	HIGH	1575	1.03	1.08	1.00
4TXCC049AC3+TDX1D120A9H5	NOMINAL	1400	0.99	1.04	0.99
	LOW	1225	0.97	1.01	0.98
	HIGH	1575	1.01	1.07	0.99
4TXCC049AC3+TDY100R9V4	NOMINAL	1400	0.99	1.03	0.97
	LOW	1225	0.97	1.00	0.96
	HIGH	1575	1.01	1.06	0.98
4TXCC049AC3+TDY120R9V5	NOMINAL	1400	1.00	1.03	0.97
	LOW	1225	0.98	1.00	0.96
	HIGH	1575	1.02	1.06	0.98
4TXCC049AC3+TUD080R9V4	NOMINAL	1400	1.00	1.04	0.99
	LOW	1225	0.98	1.01	0.98
	HIGH	1575	1.02	1.07	0.99
4TXCC049AC3+TUD100R9V5	NOMINAL	1400	0.99	1.03	0.98
	LOW	1225	0.97	1.00	0.97
	HIGH	1575	1.01	1.06	0.99
4TXCC049AC3+TUD120R9V5	NOMINAL	1400	0.99	1.04	0.99
	LOW	1225	0.97	1.01	0.98
	HIGH	1575	1.01	1.07	0.99
4TXCC049AC3+TUD140R9V5	NOMINAL	1400	1.00	1.04	0.99
	LOW	1225	0.98	1.01	0.98
	HIGH	1575	1.02	1.07	0.99
4TXCC049AC3+TUD1C080A9H4	NOMINAL	1400	1.00	1.05	0.99
	LOW	1225	0.98	1.01	0.98
	HIGH	1575	1.02	1.08	0.99
4TXCC049AC3+TUD1C100A9H5	NOMINAL	1400	0.98	1.03	0.98
	LOW	1225	0.96	1.00	0.97
	HIGH	1575	1.00	1.06	0.99
4TXCC049AC3+TUD1D120A9H5	NOMINAL	1400	1.00	1.05	1.00
	LOW	1225	0.98	1.02	0.99
	HIGH	1575	1.02	1.08	1.01
4TXCC049AC3+TUD1D140A9H5	NOMINAL	1400	0.99	1.04	0.98
	LOW	1225	0.97	1.01	0.97
	HIGH	1575	1.01	1.07	0.99
4TXCC049AC3+TUX1C100A9H4	NOMINAL	1400	0.99	1.04	0.99
	LOW	1225	0.97	1.01	0.98
	HIGH	1575	1.01	1.07	0.99
4TXCC049AC3+TUX1D120A9H5	NOMINAL	1400	1.00	1.05	0.99
	LOW	1225	0.98	1.01	0.98
	HIGH	1575	1.02	1.08	1.00
4TXCC049AC3+TUY100R9V4	NOMINAL	1400	1.00	1.03	0.97
	LOW	1225	0.98	1.00	0.96
	HIGH	1575	1.02	1.06	0.98
4TXCC049AC3+TUY120R9V5	NOMINAL	1400	1.00	1.03	0.97
	LOW	1225	0.98	1.00	0.96
	HIGH	1575	1.02	1.06	0.98
4TXCC054AS3	NOMINAL	1400	0.98	1.04	1.01
	LOW	1225	0.96	1.01	1.00
	HIGH	1575	1.00	1.07	1.02
4TXCC054AS3+TDD100R9V5	NOMINAL	1400	0.99	1.05	0.99
	LOW	1225	0.97	1.02	0.98
	HIGH	1575	1.01	1.08	0.99



# Performance Data Cooling

## 4TTB3042A1

CORRECTION FACTORS FOR OTHER COMBINATIONS (MULTIPLY DATA BY FACTOR)

INDOOR MODEL		CFM	MBTUH TOT	MBTUH SEN	SYST KW
4TXCC054AS3+TDD1C100A9H5	NOMINAL	1400	0.99	1.06	0.99
	LOW	1225	0.97	1.02	0.98
	HIGH	1575	1.01	1.09	0.99
4TXCC054AS3+TDX1C100A9H4	NOMINAL	1400	1.00	1.06	0.98
	LOW	1225	0.98	1.02	0.97
	HIGH	1575	1.02	1.09	0.99
4TXCC054AS3+TDY100R9V4	NOMINAL	1400	0.99	1.05	0.97
	LOW	1225	0.97	1.01	0.96
	HIGH	1575	1.01	1.08	0.98
4TXCC054AS3+TUD080R9V4	NOMINAL	1400	1.00	1.05	0.99
	LOW	1225	0.98	1.02	0.98
	HIGH	1575	1.02	1.08	0.99
4TXCC054AS3+TUD100R9V5	NOMINAL	1400	0.99	1.05	0.98
	LOW	1225	0.97	1.01	0.97
	HIGH	1575	1.01	1.08	0.99
4TXCC054AS3+TUD120R9V5	NOMINAL	1400	0.99	1.05	0.99
	LOW	1225	0.97	1.02	0.98
	HIGH	1575	1.01	1.08	0.99
4TXCC054AS3+TUD1C080A9H4	NOMINAL	1400	1.00	1.06	0.99
	LOW	1225	0.98	1.02	0.98
	HIGH	1575	1.02	1.09	1.00
4TXCC054AS3+TUD1C100A9H5	NOMINAL	1400	0.98	1.04	0.98
	LOW	1225	0.96	1.01	0.97
	HIGH	1575	1.00	1.07	0.99
4TXCC054AS3+TUD1D120A9H5	NOMINAL	1400	0.99	1.05	0.99
	LOW	1225	0.97	1.02	0.98
	HIGH	1575	1.01	1.08	0.99
4TXCC054AS3+TUX1C100A9H4	NOMINAL	1400	0.99	1.05	0.99
	LOW	1225	0.97	1.02	0.98
	HIGH	1575	1.01	1.08	0.99
4TXCC054AS3+TUY100R9V4	NOMINAL	1400	0.99	1.05	0.97
	LOW	1225	0.97	1.01	0.96
	HIGH	1575	1.01	1.08	0.98
4TXCC060AC3	NOMINAL	1400	0.99	1.04	1.00
	LOW	1225	0.97	1.01	0.99
	HIGH	1575	1.01	1.07	1.01
4TXCC060AC3+TDD100R9V5	NOMINAL	1400	1.00	1.05	1.00
	LOW	1225	0.98	1.02	0.99
	HIGH	1575	1.02	1.08	1.01
4TXCC060AC3+TDD120R9V5	NOMINAL	1400	1.01	1.07	1.01
	LOW	1225	0.99	1.03	1.00
	HIGH	1575	1.03	1.10	1.02
4TXCC060AC3+TDD1C100A9H5	NOMINAL	1400	1.02	1.07	1.01
	LOW	1225	1.00	1.04	1.00
	HIGH	1575	1.04	1.10	1.02
4TXCC060AC3+TDD1D120A9H5	NOMINAL	1400	1.02	1.07	1.01
	LOW	1225	1.00	1.04	1.00
	HIGH	1575	1.04	1.10	1.02
4TXCC060AC3+TDX1D120A9H5	NOMINAL	1400	1.00	1.05	1.00
	LOW	1225	0.98	1.02	0.99
	HIGH	1575	1.02	1.08	1.01
4TXCC060AC3+TDY100R9V4	NOMINAL	1400	1.02	1.06	0.99
	LOW	1225	1.00	1.03	0.98
	HIGH	1575	1.04	1.09	1.00
4TXCC060AC3+TDY120R9V5	NOMINAL	1400	1.02	1.07	0.99
	LOW	1225	1.00	1.03	0.98
	HIGH	1575	1.04	1.10	1.00
4TXCC060AC3+TUD080R9V4	NOMINAL	1400	1.00	1.06	1.00
	LOW	1225	0.98	1.02	0.99
	HIGH	1575	1.02	1.09	1.01
4TXCC060AC3+TUD100R9V5	NOMINAL	1400	1.01	1.06	1.01
	LOW	1225	0.99	1.03	1.00
	HIGH	1575	1.03	1.09	1.02

CORRECTION FACTORS FOR OTHER COMBINATIONS (MULTIPLY DATA BY FACTOR)

INDOOR MODEL		CFM	MBTUH TOT	MBTUH SEN	SYST KW
4TXCC060AC3+TUD120R9V5	NOMINAL	1400	1.02	1.07	1.01
	LOW	1225	1.00	1.04	1.00
	HIGH	1575	1.04	1.10	1.02
4TXCC060AC3+TUD140R9V5	NOMINAL	1400	1.01	1.06	1.00
	LOW	1225	0.99	1.02	0.99
	HIGH	1575	1.03	1.09	1.01
4TXCC060AC3+TUD1C080A9H4	NOMINAL	1400	1.02	1.07	1.01
	LOW	1225	1.00	1.04	1.00
	HIGH	1575	1.04	1.11	1.02
4TXCC060AC3+TUD1C100A9H5	NOMINAL	1400	1.01	1.06	1.01
	LOW	1225	0.99	1.03	1.00
	HIGH	1575	1.03	1.09	1.02
4TXCC060AC3+TUD1D120A9H5	NOMINAL	1400	1.01	1.07	1.01
	LOW	1225	0.99	1.03	1.00
	HIGH	1575	1.03	1.10	1.02
4TXCC060AC3+TUD1D140A9H5	NOMINAL	1400	1.01	1.07	1.01
	LOW	1225	0.99	1.03	1.00
	HIGH	1575	1.03	1.10	1.02
4TXCC060AC3+TUX1C100A9H4	NOMINAL	1400	1.02	1.07	1.01
	LOW	1225	1.00	1.04	1.00
	HIGH	1575	1.04	1.10	1.02
4TXCC060AC3+TUX1D120A9H5	NOMINAL	1400	1.01	1.06	1.01
	LOW	1225	0.99	1.03	1.00
	HIGH	1575	1.03	1.09	1.02
4TXCC060AC3+TUY100R9V4	NOMINAL	1400	1.02	1.06	0.99
	LOW	1225	1.00	1.03	0.98
	HIGH	1575	1.04	1.09	1.00
4TXCC060AC3+TUY120R9V5	NOMINAL	1400	1.02	1.06	0.99
	LOW	1225	1.00	1.03	0.98
	HIGH	1575	1.04	1.09	1.00
4TXCD050AC3	NOMINAL	1400	0.98	1.02	1.01
	LOW	1225	0.96	0.99	1.00
	HIGH	1575	1.00	1.05	1.02
4TXCD050AC3+TDD100R9V5	NOMINAL	1400	0.99	1.04	0.99
	LOW	1225	0.97	1.01	0.98
	HIGH	1575	1.01	1.07	0.99
4TXCD050AC3+TDD120R9V5	NOMINAL	1400	0.99	1.04	0.99
	LOW	1225	0.97	1.01	0.98
	HIGH	1575	1.01	1.07	0.99
4TXCD050AC3+TDD1C100A9H5	NOMINAL	1400	0.99	1.04	0.99
	LOW	1225	0.97	1.01	0.98
	HIGH	1575	1.01	1.07	0.99
4TXCD050AC3+TDD1D120A9H5	NOMINAL	1400	1.00	1.05	1.00
	LOW	1225	0.98	1.02	0.99
	HIGH	1575	1.02	1.08	1.01
4TXCD050AC3+TDX1C100A9H4	NOMINAL	1400	1.00	1.05	0.99
	LOW	1225	0.98	1.02	0.98
	HIGH	1575	1.02	1.08	1.00
4TXCD050AC3+TDX1D120A9H5	NOMINAL	1400	0.99	1.04	0.99
	LOW	1225	0.97	1.01	0.98
	HIGH	1575	1.01	1.07	0.99
4TXCD050AC3+TDY100R9V4	NOMINAL	1400	0.99	1.03	0.97
	LOW	1225	0.97	1.00	0.96
	HIGH	1575	1.01	1.06	0.98
4TXCD050AC3+TDY120R9V5	NOMINAL	1400	1.00	1.03	0.97
	LOW	1225	0.98	1.00	0.96
	HIGH	1575	1.02	1.06	0.98
4TXCD050AC3+TUD080R9V4	NOMINAL	1400	1.00	1.04	0.99
	LOW	1225	0.98	1.01	0.98
	HIGH	1575	1.02	1.07	0.99
4TXCD050AC3+TUD100R9V5	NOMINAL	1400	0.99	1.04	0.98
	LOW	1225	0.97	1.01	0.97
	HIGH	1575	1.01	1.07	0.99



# Performance Data Cooling

## 4TTB3042A1

**CORRECTION FACTORS FOR OTHER COMBINATIONS (MULTIPLY DATA BY FACTOR)**

INDOOR MODEL		CFM	MBTUH TOT	MBTUH SEN	SYST KW
4TXCD050AC3+TUD120R9V5	NOMINAL	1400	1.00	1.04	0.99
	LOW	1225	0.98	1.01	0.98
	HIGH	1575	1.02	1.07	0.99
4TXCD050AC3+TUD140R9V5	NOMINAL	1400	1.00	1.05	0.99
	LOW	1225	0.98	1.01	0.98
	HIGH	1575	1.02	1.08	0.99
4TXCD050AC3+TUD1C080A9H4	NOMINAL	1400	0.99	1.04	0.99
	LOW	1225	0.97	1.01	0.98
	HIGH	1575	1.01	1.07	0.99
4TXCD050AC3+TUD1C100A9H5	NOMINAL	1400	0.99	1.04	0.99
	LOW	1225	0.97	1.01	0.98
	HIGH	1575	1.01	1.07	1.00
4TXCD050AC3+TUD1D120A9H5	NOMINAL	1400	1.00	1.05	1.00
	LOW	1225	0.98	1.02	0.99
	HIGH	1575	1.02	1.08	1.01
4TXCD050AC3+TUD1D140A9H5	NOMINAL	1400	1.00	1.05	1.00
	LOW	1225	0.98	1.02	0.99
	HIGH	1575	1.02	1.08	1.01
4TXCD050AC3+TUX1C100A9H4	NOMINAL	1400	0.99	1.04	0.99
	LOW	1225	0.97	1.01	0.98
	HIGH	1575	1.01	1.07	0.99
4TXCD050AC3+TUX1D120A9H5	NOMINAL	1400	0.99	1.04	0.99
	LOW	1225	0.97	1.01	0.98
	HIGH	1575	1.01	1.07	1.00
4TXCD050AC3+TUY100R9V4	NOMINAL	1400	1.00	1.03	0.97
	LOW	1225	0.98	1.00	0.96
	HIGH	1575	1.02	1.06	0.98
4TXCD050AC3+TUY120R9V5	NOMINAL	1400	1.00	1.04	0.97
	LOW	1225	0.98	1.01	0.96
	HIGH	1575	1.02	1.07	0.98
4TXFH041AS3	NOMINAL	1400	0.98	1.00	0.99
	LOW	1225	0.96	0.97	0.98
	HIGH	1575	1.00	1.03	1.00
4TXFH041AS3+TDD100R9V5	NOMINAL	1400	1.00	1.01	0.99
	LOW	1225	0.98	0.98	0.98
	HIGH	1575	1.02	1.04	0.99
4TXFH041AS3+TDD120R9V5	NOMINAL	1400	1.01	1.03	1.00
	LOW	1225	0.99	1.00	0.99
	HIGH	1575	1.03	1.06	1.01
4TXFH041AS3+TDD1C100A9H5	NOMINAL	1400	1.00	1.02	1.00
	LOW	1225	0.98	0.99	0.99
	HIGH	1575	1.02	1.05	1.01
4TXFH041AS3+TDD1D120A9H5	NOMINAL	1400	1.00	1.02	1.00
	LOW	1225	0.98	0.99	0.99
	HIGH	1575	1.02	1.05	1.01
4TXFH041AS3+TDX1C100A9H4	NOMINAL	1400	1.00	1.03	0.99
	LOW	1225	0.98	1.00	0.98
	HIGH	1575	1.02	1.06	1.00
4TXFH041AS3+TDX1D120A9H5	NOMINAL	1400	0.99	1.01	0.99
	LOW	1225	0.97	0.98	0.98
	HIGH	1575	1.01	1.04	0.99
4TXFH041AS3+TDY100R9V4	NOMINAL	1400	1.01	1.01	0.98
	LOW	1225	0.99	0.98	0.97
	HIGH	1575	1.03	1.04	0.99
4TXFH041AS3+TDY120R9V5	NOMINAL	1400	1.01	1.02	0.98
	LOW	1225	0.99	0.99	0.97
	HIGH	1575	1.03	1.05	0.99
4TXFH041AS3+TUD080R9V4	NOMINAL	1400	1.00	1.02	0.99
	LOW	1225	0.98	0.99	0.98
	HIGH	1575	1.02	1.05	1.00
4TXFH041AS3+TUD100R9V5	NOMINAL	1400	1.00	1.02	1.00
	LOW	1225	0.98	0.99	0.99
	HIGH	1575	1.02	1.05	1.01

**CORRECTION FACTORS FOR OTHER COMBINATIONS (MULTIPLY DATA BY FACTOR)**

INDOOR MODEL		CFM	MBTUH TOT	MBTUH SEN	SYST KW
4TXFH041AS3+TUD120R9V5	NOMINAL	1400	1.00	1.02	0.99
	LOW	1225	0.98	0.99	0.98
	HIGH	1575	1.02	1.05	1.00
4TXFH041AS3+TUD140R9V5	NOMINAL	1400	1.00	1.02	0.99
	LOW	1225	0.98	0.99	0.98
	HIGH	1575	1.02	1.05	1.00
4TXFH041AS3+TUD1C080A9H4	NOMINAL	1400	1.00	1.03	1.00
	LOW	1225	0.98	1.00	0.99
	HIGH	1575	1.02	1.06	1.01
4TXFH041AS3+TUD1D140A9H5	NOMINAL	1400	1.00	1.02	1.00
	LOW	1225	0.98	0.99	0.99
	HIGH	1575	1.02	1.05	1.01
4TXFH041AS3+TUX1C100A9H4	NOMINAL	1400	1.00	1.02	1.00
	LOW	1225	0.98	0.99	0.99
	HIGH	1575	1.02	1.05	1.01
4TXFH041AS3+TUY100R9V4	NOMINAL	1400	1.01	1.02	0.98
	LOW	1225	0.99	0.99	0.97
	HIGH	1575	1.03	1.05	0.99
4TXFH041AS3+TUY120R9V5	NOMINAL	1400	1.01	1.02	0.98
	LOW	1225	0.99	0.99	0.97
	HIGH	1575	1.03	1.05	0.99
4TXFH054AS3	NOMINAL	1400	1.01	1.03	1.02
	LOW	1225	0.99	1.00	1.01
	HIGH	1575	1.03	1.06	1.03
4TXFH054AS3+TDD100R9V5	NOMINAL	1400	1.02	1.04	1.01
	LOW	1225	1.00	1.01	1.00
	HIGH	1575	1.04	1.07	1.02
4TXFH054AS3+TDD120R9V5	NOMINAL	1400	1.03	1.05	1.02
	LOW	1225	1.01	1.02	1.01
	HIGH	1575	1.05	1.08	1.03
4TXFH054AS3+TDD1C100A9H5	NOMINAL	1400	1.03	1.06	1.03
	LOW	1225	1.01	1.02	1.02
	HIGH	1575	1.05	1.09	1.04
4TXFH054AS3+TDD1D120A9H5	NOMINAL	1400	1.03	1.06	1.02
	LOW	1225	1.01	1.02	1.01
	HIGH	1575	1.05	1.09	1.03
4TXFH054AS3+TDX1D120A9H5	NOMINAL	1400	1.02	1.04	1.01
	LOW	1225	1.00	1.01	1.00
	HIGH	1575	1.04	1.07	1.02
4TXFH054AS3+TDY100R9V4	NOMINAL	1400	1.03	1.05	1.01
	LOW	1225	1.01	1.01	1.00
	HIGH	1575	1.05	1.08	1.02
4TXFH054AS3+TDY120R9V5	NOMINAL	1400	1.03	1.05	1.01
	LOW	1225	1.01	1.02	1.00
	HIGH	1575	1.06	1.08	1.02
4TXFH054AS3+TUD080R9V4	NOMINAL	1400	1.02	1.04	1.01
	LOW	1225	1.00	1.01	1.00
	HIGH	1575	1.04	1.07	1.02
4TXFH054AS3+TUD100R9V5	NOMINAL	1400	1.02	1.05	1.02
	LOW	1225	1.00	1.01	1.01
	HIGH	1575	1.04	1.08	1.03
4TXFH054AS3+TUD120R9V5	NOMINAL	1400	1.03	1.06	1.02
	LOW	1225	1.01	1.02	1.01
	HIGH	1575	1.05	1.09	1.03
4TXFH054AS3+TUD140R9V5	NOMINAL	1400	1.03	1.06	1.03
	LOW	1225	1.01	1.02	1.02
	HIGH	1575	1.05	1.09	1.04
4TXFH054AS3+TUD1C080A9H4	NOMINAL	1400	1.03	1.06	1.03
	LOW	1225	1.01	1.03	1.02
	HIGH	1575	1.05	1.09	1.04
4TXFH054AS3+TUD1C100A9H5	NOMINAL	1400	1.02	1.05	1.02
	LOW	1225	1.00	1.01	1.01
	HIGH	1575	1.04	1.08	1.03



# Performance Data Cooling

## 4TTB3042A1

CORRECTION FACTORS FOR OTHER COMBINATIONS (MULTIPLY DATA BY FACTOR)

INDOOR MODEL		CFM	MBTUH TOT	MBTUH SEN	SYST KW
4TXFH054AS3+TUD1D120A9H5	NOMINAL	1400	1.03	1.06	1.02
	LOW	1225	1.00	1.02	1.01
	HIGH	1575	1.05	1.09	1.03
4TXFH054AS3+TUD1D140A9H5	NOMINAL	1400	1.03	1.05	1.02
	LOW	1225	1.00	1.02	1.01
	HIGH	1575	1.05	1.08	1.03
4TXFH054AS3+TUX1C100A9H4	NOMINAL	1400	1.03	1.06	1.02
	LOW	1225	1.01	1.02	1.01
	HIGH	1575	1.05	1.09	1.03
4TXFH054AS3+TUX1D120A9H5	NOMINAL	1400	1.02	1.05	1.02
	LOW	1225	1.00	1.02	1.01
	HIGH	1575	1.04	1.08	1.03
4TXFH054AS3+TUY100R9V4	NOMINAL	1400	1.03	1.05	1.01
	LOW	1225	1.01	1.02	1.00
	HIGH	1575	1.05	1.08	1.02
4TXFH054AS3+TUY120R9V5	NOMINAL	1400	1.03	1.06	1.01
	LOW	1225	1.01	1.02	1.00
	HIGH	1575	1.06	1.09	1.02
RXC036S3	NOMINAL	1400	1.00	1.02	1.00
	LOW	1225	0.98	0.99	0.99
	HIGH	1575	1.02	1.05	1.01
RXC036S3+TDD080R9V3	NOMINAL	1400	1.00	1.03	0.99
	LOW	1225	0.98	1.00	0.98
	HIGH	1575	1.02	1.06	1.00
RXC036S3+TDD1B080A9H3	NOMINAL	1400	1.01	1.03	0.99
	LOW	1225	0.99	1.00	0.98
	HIGH	1575	1.03	1.06	0.99
RXC036S3+TUD080R9V3	NOMINAL	1400	1.00	1.02	1.01
	LOW	1225	0.98	0.99	1.00
	HIGH	1575	1.02	1.05	1.02
RXC036S3+TUD1B080A9H3	NOMINAL	1400	1.02	1.04	0.99
	LOW	1225	1.00	1.01	0.98
	HIGH	1575	1.04	1.07	0.99
RXC036S3+TUX1B080A9H3	NOMINAL	1400	1.00	1.02	0.98
	LOW	1225	0.98	0.99	0.97
	HIGH	1575	1.02	1.05	0.99
RXC036S3+TUY080R9V3	NOMINAL	1400	1.01	1.03	0.98
	LOW	1225	0.99	1.00	0.97
	HIGH	1575	1.03	1.06	0.99
RXC037S3	NOMINAL	1400	1.01	1.03	1.02
	LOW	1225	0.99	1.00	1.01
	HIGH	1575	1.03	1.06	1.03
RXC037S3+TDD100R9V5	NOMINAL	1400	1.02	1.04	1.01
	LOW	1225	1.00	1.01	1.00
	HIGH	1575	1.04	1.07	1.02
RXC037S3+TDX1C100A9H4	NOMINAL	1400	1.03	1.05	1.02
	LOW	1225	1.01	1.02	1.01
	HIGH	1575	1.05	1.08	1.03
RXC037S3+TDY100R9V4	NOMINAL	1400	1.02	1.03	0.99
	LOW	1225	1.00	1.00	0.98
	HIGH	1575	1.04	1.06	1.00

CORRECTION FACTORS FOR OTHER COMBINATIONS (MULTIPLY DATA BY FACTOR)

INDOOR MODEL		CFM	MBTUH TOT	MBTUH SEN	SYST KW
RXC037S3+TUD080R9V4	NOMINAL	1400	1.02	1.04	1.01
	LOW	1225	1.00	1.01	1.00
	HIGH	1575	1.04	1.07	1.02
RXC037S3+TUD100R9V5	NOMINAL	1400	1.01	1.04	1.01
	LOW	1225	0.99	1.01	1.00
	HIGH	1575	1.03	1.07	1.02
RXC037S3+TUD1C080A9H4	NOMINAL	1400	1.03	1.04	1.00
	LOW	1225	1.01	1.01	0.99
	HIGH	1575	1.05	1.07	1.01
RXC037S3+TUY100R9V4	NOMINAL	1400	1.02	1.03	0.99
	LOW	1225	1.00	1.00	0.98
	HIGH	1575	1.04	1.06	1.00
RXC054S3	NOMINAL	1400	0.98	1.02	0.99
	LOW	1225	0.96	0.99	0.98
	HIGH	1575	1.00	1.05	1.00
RXC054S3+TDD100R9V5	NOMINAL	1400	1.00	1.05	1.00
	LOW	1225	0.98	1.01	0.99
	HIGH	1575	1.02	1.08	1.01
RXC054S3+TDD1C100A9H5	NOMINAL	1400	1.00	1.05	1.00
	LOW	1225	0.98	1.02	0.99
	HIGH	1575	1.02	1.08	1.01
RXC054S3+TDX1C100A9H4	NOMINAL	1400	1.01	1.05	0.99
	LOW	1225	0.99	1.02	0.98
	HIGH	1575	1.03	1.08	1.00
RXC054S3+TDY100R9V4	NOMINAL	1400	1.00	1.04	0.98
	LOW	1225	0.98	1.01	0.97
	HIGH	1575	1.02	1.07	0.99
RXC054S3+TUD080R9V4	NOMINAL	1400	1.00	1.04	0.99
	LOW	1225	0.98	1.01	0.98
	HIGH	1575	1.02	1.07	0.99
RXC054S3+TUD100R9V5	NOMINAL	1400	1.00	1.04	0.99
	LOW	1225	0.98	1.01	0.98
	HIGH	1575	1.02	1.07	1.00
RXC054S3+TUD120R9V5	NOMINAL	1400	1.00	1.05	1.00
	LOW	1225	0.98	1.01	0.99
	HIGH	1575	1.02	1.08	1.01
RXC054S3+TUD1C080A9H4	NOMINAL	1400	1.01	1.05	1.00
	LOW	1225	0.99	1.02	0.99
	HIGH	1575	1.03	1.08	1.01
RXC054S3+TUD1C100A9H5	NOMINAL	1400	1.00	1.04	0.99
	LOW	1225	0.98	1.01	0.98
	HIGH	1575	1.02	1.07	1.00
RXC054S3+TUD1D120A9H5	NOMINAL	1400	1.00	1.05	1.00
	LOW	1225	0.98	1.01	0.99
	HIGH	1575	1.02	1.08	1.01
RXC054S3+TUX1C100A9H4	NOMINAL	1400	1.00	1.05	1.00
	LOW	1225	0.98	1.02	0.99
	HIGH	1575	1.02	1.08	1.01
RXC054S3+TUY100R9V4	NOMINAL	1400	1.00	1.04	0.98
	LOW	1225	0.98	1.01	0.97
	HIGH	1575	1.02	1.07	0.99



# Performance Data Cooling

## 4TTB3048A1

### 4TTB3048A1 WITH 4TXCC049AC3 AT 1600 CFM

O.D. D.B.	I.D. W.B.	TOT. CAP.	SENS. CAP. AT ENTERING D.B. TEMP.				TOTAL KW
			72	75	78	80	
85	59	44.1	36.8	41.5	44.1	44.1	3.75
	63	46.0	29.7	34.4	39.1	42.2	3.78
	67	49.5	23.3	27.9	32.6	35.7	3.84
	71	53.5	16.8	21.4	26.1	29.2	3.87
95	59	41.7	35.7	40.4	41.7	41.7	4.14
	63	43.4	28.7	33.4	38.0	41.1	4.17
	67	46.8	22.3	26.9	31.6	34.7	4.24
	71	50.5	15.7	20.4	25.1	28.2	4.28
105	59	40.5	35.2	39.8	40.5	40.5	4.34
	63	42.2	28.2	32.8	37.5	40.6	4.36
	67	45.5	21.7	26.4	31.0	34.2	4.44
	71	49.1	15.2	19.9	24.6	27.7	4.48
115	59	36.8	33.6	36.8	36.8	36.8	4.92
	63	38.4	26.7	31.4	36.0	38.4	4.95
	67	41.4	20.2	24.9	29.6	32.7	5.04
	71	44.7	13.8	18.4	23.1	26.2	5.08

#### CORRECTION FACTORS FOR OTHER AIRFLOWS (MULTIPLY DATA BY FACTOR)

AIRFLOW	TOTAL CAPACITY	SENSIBLE CAPACITY
LOW	1400	0.98
HIGH	1800	1.02

NOTE: ALL TABLES ABOVE ARE AT ARI RATING CONDITIONS RATED WITH 25 FEET OF REFRIGERANT LINES.  
 \* DRY COIL CONDITION (TOTAL CAPACITY = SENSIBLE CAPACITY)  
 TOTAL CAPACITY, COMP. KW AND APP. DEW PT. ARE VALID ONLY FOR WET COIL. ALL TEMPERATURES IN DEGREES F.

#### CORRECTION FACTORS FOR OTHER COMBINATIONS (MULTIPLY DATA BY FACTOR)

INDOOR MODEL	CFM	MBTUH TOT	MBTUH SEN	SYST KW
2TEH3F48A1+4AYTXVH-3	NOMINAL	1600	0.98	0.95
	LOW	1400	0.96	0.94
	HIGH	1800	1.00	0.96
2TEH3F60A1+4AYTXVH-3	NOMINAL	1600	0.96	0.94
	LOW	1400	0.94	0.93
	HIGH	1800	0.97	0.95
2TGB3F48A1+4AYTXVH-3	NOMINAL	1600	0.96	0.96
	LOW	1400	0.94	0.95
	HIGH	1800	0.98	0.97
4CXAB048AC3	NOMINAL	1600	0.98	0.95
	LOW	1400	0.96	0.94
	HIGH	1800	1.00	0.96
4CXAB048AC3+TDD100R9V5	NOMINAL	1600	0.96	0.97
	LOW	1400	0.94	0.96
	HIGH	1800	0.98	0.98
4CXAB048AC3+TDD120R9V5	NOMINAL	1600	0.96	0.95
	LOW	1400	0.94	0.94
	HIGH	1800	0.98	0.95
4CXAB048AC3+TDD1C100A9H5	NOMINAL	1600	0.97	0.95
	LOW	1400	0.95	0.94
	HIGH	1800	0.99	0.96
4CXAB048AC3+TDD1D120A9H5	NOMINAL	1600	0.97	0.95
	LOW	1400	0.95	0.94
	HIGH	1800	0.99	0.96
4CXAB048AC3+TDX1C100A9H4	NOMINAL	1600	0.97	0.97
	LOW	1400	0.95	0.96
	HIGH	1800	0.99	0.98
4CXAB048AC3+TDX1D120A9H5	NOMINAL	1600	0.97	0.97
	LOW	1400	0.95	0.96
	HIGH	1800	0.99	0.98
4CXAB048AC3+TDY100R9V4	NOMINAL	1600	0.97	0.96
	LOW	1400	0.95	0.95
	HIGH	1800	0.99	0.98
4CXAB048AC3+TDY120R9V5	NOMINAL	1600	0.97	0.94
	LOW	1400	0.95	0.94
	HIGH	1800	0.99	1.00

#### CORRECTION FACTORS FOR OTHER COMBINATIONS (MULTIPLY DATA BY FACTOR)

INDOOR MODEL	CFM	MBTUH TOT	MBTUH SEN	SYST KW
4CXAB048AC3+TDY120R9V5	NOMINAL	1600	0.97	0.96
	LOW	1400	0.95	0.95
	HIGH	1800	0.99	1.00
4CXAB048AC3+TUD080R9V4	NOMINAL	1600	0.96	0.97
	LOW	1400	0.94	0.96
	HIGH	1800	0.98	1.00
4CXAB048AC3+TUD120R9V5	NOMINAL	1600	0.96	0.96
	LOW	1400	0.94	0.93
	HIGH	1800	0.98	0.99
4CXAB048AC3+TUD140R9V5	NOMINAL	1600	0.97	0.97
	LOW	1400	0.95	0.96
	HIGH	1800	0.98	1.00
4CXAB048AC3+TUD1C080A9H4	NOMINAL	1600	0.97	0.95
	LOW	1400	0.95	0.94
	HIGH	1800	0.99	1.00
4CXAB048AC3+TUD1C100A9H5	NOMINAL	1600	0.97	0.94
	LOW	1400	0.95	0.93
	HIGH	1800	0.99	1.00
4CXAB048AC3+TUD1D120A9H5	NOMINAL	1600	0.97	0.95
	LOW	1400	0.95	0.94
	HIGH	1800	0.99	1.00
4CXAB048AC3+TUD1D140A9H5	NOMINAL	1600	0.97	0.95
	LOW	1400	0.95	0.94
	HIGH	1800	0.99	1.00
4CXAB048AC3+TUX1C100A9H4	NOMINAL	1600	0.97	0.95
	LOW	1400	0.95	0.94
	HIGH	1800	0.99	1.00
4CXAB048AC3+TUX1D120A9H5	NOMINAL	1600	0.98	0.95
	LOW	1400	0.96	0.94
	HIGH	1800	1.00	1.01
4CXAB048AC3+TUY100R9V4	NOMINAL	1600	0.97	0.96
	LOW	1400	0.95	0.95
	HIGH	1800	0.99	1.00
4CXAB048AC3+TUY120R9V5	NOMINAL	1600	0.97	0.96
	LOW	1400	0.95	0.95
	HIGH	1800	0.99	1.00
4CXAC049AC3	NOMINAL	1600	0.96	0.97
	LOW	1400	0.94	0.96
	HIGH	1800	0.98	1.00
4CXAC049AC3+TDD100R9V5	NOMINAL	1600	0.97	0.96
	LOW	1400	0.95	0.95
	HIGH	1800	0.99	1.01
4CXAC049AC3+TDD120R9V5	NOMINAL	1600	0.97	0.96
	LOW	1400	0.95	0.95
	HIGH	1800	0.99	1.01
4CXAC049AC3+TDD1C100A9H5	NOMINAL	1600	0.98	0.96
	LOW	1400	0.96	0.95
	HIGH	1800	1.00	1.02
4CXAC049AC3+TDD1D120A9H5	NOMINAL	1600	0.98	0.96
	LOW	1400	0.96	0.95
	HIGH	1800	1.00	1.02
4CXAC049AC3+TDX1C100A9H4	NOMINAL	1600	0.96	0.95
	LOW	1400	0.94	0.94
	HIGH	1800	0.98	1.00
4CXAC049AC3+TDX1D120A9H5	NOMINAL	1600	0.98	0.96
	LOW	1400	0.96	0.95
	HIGH	1800	1.00	1.01
4CXAC049AC3+TDY100R9V4	NOMINAL	1600	0.97	0.96
	LOW	1400	0.95	0.95
	HIGH	1800	0.99	1.00
4CXAC049AC3+TDY120R9V5	NOMINAL	1600	0.97	0.94
	LOW	1400	0.95	0.93
	HIGH	1800	0.99	1.00



# Performance Data Cooling

## 4TTB3048A1

**CORRECTION FACTORS FOR OTHER COMBINATIONS (MULTIPLY DATA BY FACTOR)**

INDOOR MODEL		CFM	MBTUH TOT	MBTUH SEN	SYST KW
4CXAC049AC3+TUD080R9V4	NOMINAL	1600	0.96	0.97	0.95
	LOW	1400	0.94	0.94	0.94
	HIGH	1800	0.98	1.00	0.96
4CXAC049AC3+TUD100R9V5	NOMINAL	1600	0.97	0.97	0.97
	LOW	1400	0.95	0.94	0.96
	HIGH	1800	0.98	1.00	0.98
4CXAC049AC3+TUD120R9V5	NOMINAL	1600	0.97	0.98	0.96
	LOW	1400	0.95	0.95	0.95
	HIGH	1800	0.99	1.01	0.97
4CXAC049AC3+TUD140R9V5	NOMINAL	1600	0.97	0.98	0.96
	LOW	1400	0.95	0.95	0.95
	HIGH	1800	0.99	1.01	0.97
4CXAC049AC3+TUD1C080A9H4	NOMINAL	1600	0.97	0.98	0.96
	LOW	1400	0.95	0.95	0.95
	HIGH	1800	0.99	1.01	0.97
4CXAC049AC3+TUD1C100A9H5	NOMINAL	1600	0.97	0.98	0.95
	LOW	1400	0.95	0.95	0.94
	HIGH	1800	0.99	1.01	0.96
4CXAC049AC3+TUD1D120A9H5	NOMINAL	1600	0.98	0.98	0.95
	LOW	1400	0.96	0.95	0.94
	HIGH	1800	1.00	1.01	0.96
4CXAC049AC3+TUD1D140A9H5	NOMINAL	1600	0.98	0.98	0.95
	LOW	1400	0.96	0.95	0.94
	HIGH	1800	1.00	1.01	0.96
4CXAC049AC3+TUX1C100A9H4	NOMINAL	1600	0.98	0.99	0.96
	LOW	1400	0.96	0.96	0.95
	HIGH	1800	1.00	1.02	0.97
4CXAC049AC3+TUX1D120A9H5	NOMINAL	1600	0.97	0.98	0.95
	LOW	1400	0.95	0.95	0.94
	HIGH	1800	0.99	1.01	0.96
4CXAC049AC3+TUY100R9V4	NOMINAL	1600	0.97	0.97	0.94
	LOW	1400	0.95	0.94	0.93
	HIGH	1800	0.99	1.00	0.95
4CXAC049AC3+TUY120R9V5	NOMINAL	1600	0.97	0.97	0.94
	LOW	1400	0.95	0.94	0.93
	HIGH	1800	0.99	1.00	0.95
4CXAC060AC3	NOMINAL	1600	0.98	0.99	0.99
	LOW	1400	0.96	0.96	0.98
	HIGH	1800	1.00	1.02	1.00
4CXAC060AC3+TDD100R9V5	NOMINAL	1600	0.98	0.99	0.97
	LOW	1400	0.96	0.96	0.96
	HIGH	1800	1.00	1.02	0.98
4CXAC060AC3+TDD120R9V5	NOMINAL	1600	0.99	1.00	0.98
	LOW	1400	0.97	0.97	0.97
	HIGH	1800	1.01	1.03	0.99
4CXAC060AC3+TDD1C100A9H5	NOMINAL	1600	1.00	1.01	0.98
	LOW	1400	0.98	0.98	0.97
	HIGH	1800	1.02	1.04	0.99
4CXAC060AC3+TDD1D120A9H5	NOMINAL	1600	0.99	1.01	0.98
	LOW	1400	0.97	0.98	0.97
	HIGH	1800	1.01	1.04	0.99
4CXAC060AC3+TDX1C100A9H4	NOMINAL	1600	0.98	0.99	0.97
	LOW	1400	0.96	0.96	0.96
	HIGH	1800	1.00	1.02	0.98
4CXAC060AC3+TDX1D120A9H5	NOMINAL	1600	0.98	0.99	0.97
	LOW	1400	0.96	0.96	0.96
	HIGH	1800	1.00	1.02	0.98
4CXAC060AC3+TDY100R9V4	NOMINAL	1600	0.99	0.99	0.97
	LOW	1400	0.97	0.96	0.96
	HIGH	1800	1.01	1.02	0.98
4CXAC060AC3+TDY120R9V5	NOMINAL	1600	0.99	1.00	0.97
	LOW	1400	0.97	0.97	0.96
	HIGH	1800	1.01	1.03	0.98

**CORRECTION FACTORS FOR OTHER COMBINATIONS (MULTIPLY DATA BY FACTOR)**

INDOOR MODEL		CFM	MBTUH TOT	MBTUH SEN	SYST KW
4CXAC060AC3+TUD080R9V4	NOMINAL	1600	0.98	0.99	0.97
	LOW	1400	0.96	0.96	0.96
	HIGH	1800	1.00	1.02	0.98
4CXAC060AC3+TUD100R9V5	NOMINAL	1600	0.99	0.99	0.98
	LOW	1400	0.97	0.96	0.97
	HIGH	1800	1.01	1.02	0.99
4CXAC060AC3+TUD120R9V5	NOMINAL	1600	0.99	1.00	0.98
	LOW	1400	0.97	0.97	0.97
	HIGH	1800	1.01	1.03	0.99
4CXAC060AC3+TUD140R9V5	NOMINAL	1600	0.98	0.99	0.97
	LOW	1400	0.96	0.96	0.96
	HIGH	1800	1.00	1.02	0.98
4CXAC060AC3+TUD1C080A9H4	NOMINAL	1600	0.99	1.01	0.98
	LOW	1400	0.97	0.98	0.97
	HIGH	1800	1.01	1.04	0.99
4CXAC060AC3+TUD1C100A9H5	NOMINAL	1600	0.99	1.00	0.98
	LOW	1400	0.97	0.97	0.97
	HIGH	1800	1.01	1.03	0.99
4CXAC060AC3+TUD1D120A9H5	NOMINAL	1600	0.99	1.01	0.98
	LOW	1400	0.97	0.98	0.97
	HIGH	1800	1.01	1.04	0.99
4CXAC060AC3+TUD1D140A9H5	NOMINAL	1600	0.99	1.00	0.98
	LOW	1400	0.97	0.97	0.97
	HIGH	1800	1.01	1.03	0.99
4CXAC060AC3+TUX1C100A9H4	NOMINAL	1600	0.99	1.00	0.98
	LOW	1400	0.97	0.97	0.97
	HIGH	1800	1.01	1.03	0.99
4CXAC060AC3+TUX1D120A9H5	NOMINAL	1600	0.99	1.00	0.98
	LOW	1400	0.97	0.97	0.97
	HIGH	1800	1.01	1.03	0.99
4CXAC060AC3+TUY100R9V4	NOMINAL	1600	0.99	1.00	0.97
	LOW	1400	0.97	0.97	0.96
	HIGH	1800	1.01	1.03	0.98
4CXAC060AC3+TUY120R9V5	NOMINAL	1600	0.99	1.00	0.97
	LOW	1400	0.97	0.97	0.96
	HIGH	1800	1.01	1.03	0.98
4CXAD050AC3	NOMINAL	1600	0.96	0.97	0.97
	LOW	1400	0.94	0.94	0.96
	HIGH	1800	0.98	1.00	0.98
4CXAD050AC3+TDD100R9V5	NOMINAL	1600	0.97	0.98	0.96
	LOW	1400	0.95	0.95	0.95
	HIGH	1800	0.99	1.01	0.97
4CXAD050AC3+TDD120R9V5	NOMINAL	1600	0.97	0.98	0.96
	LOW	1400	0.95	0.95	0.95
	HIGH	1800	0.99	1.01	0.97
4CXAD050AC3+TDD1C100A9H5	NOMINAL	1600	0.98	0.99	0.96
	LOW	1400	0.96	0.96	0.95
	HIGH	1800	1.00	1.02	0.97
4CXAD050AC3+TDD1D120A9H5	NOMINAL	1600	0.98	0.98	0.96
	LOW	1400	0.96	0.95	0.95
	HIGH	1800	1.00	1.01	0.97
4CXAD050AC3+TDX1C100A9H4	NOMINAL	1600	0.97	0.98	0.96
	LOW	1400	0.95	0.95	0.95
	HIGH	1800	0.99	1.01	0.97
4CXAD050AC3+TDX1D120A9H5	NOMINAL	1600	0.98	0.98	0.95
	LOW	1400	0.96	0.95	0.94
	HIGH	1800	1.00	1.01	0.96
4CXAD050AC3+TDY100R9V4	NOMINAL	1600	0.97	0.97	0.96
	LOW	1400	0.95	0.94	0.95
	HIGH	1800	0.99	1.00	0.97
4CXAD050AC3+TDY120R9V5	NOMINAL	1600	0.97	0.97	0.94
	LOW	1400	0.95	0.94	0.93
	HIGH	1800	0.99	1.00	0.95



# Performance Data Cooling

## 4TTB3048A1

**CORRECTION FACTORS FOR OTHER COMBINATIONS (MULTIPLY DATA BY FACTOR)**

INDOOR MODEL		CFM	MBTUH TOT	MBTUH SEN	SYST KW
4CXAD050AC3+TUD080R9V4	NOMINAL	1600	0.97	0.98	0.96
	LOW	1400	0.95	0.95	0.95
	HIGH	1800	0.99	1.01	0.97
4CXAD050AC3+TUD100R9V5	NOMINAL	1600	0.97	0.97	0.96
	LOW	1400	0.95	0.94	0.95
	HIGH	1800	0.98	1.00	0.97
4CXAD050AC3+TUD120R9V5	NOMINAL	1600	0.97	0.98	0.96
	LOW	1400	0.95	0.95	0.95
	HIGH	1800	0.99	1.01	0.97
4CXAD050AC3+TUD140R9V5	NOMINAL	1600	0.97	0.98	0.96
	LOW	1400	0.95	0.95	0.95
	HIGH	1800	0.99	1.01	0.97
4CXAD050AC3+TUD1C080A9H4	NOMINAL	1600	0.98	0.99	0.96
	LOW	1400	0.96	0.96	0.95
	HIGH	1800	1.00	1.02	0.97
4CXAD050AC3+TUD1C100A9H5	NOMINAL	1600	0.97	0.97	0.95
	LOW	1400	0.95	0.95	0.94
	HIGH	1800	0.99	1.00	0.96
4CXAD050AC3+TUD1D120A9H5	NOMINAL	1600	0.99	0.99	0.96
	LOW	1400	0.97	0.96	0.95
	HIGH	1800	1.01	1.02	0.97
4CXAD050AC3+TUD1D140A9H5	NOMINAL	1600	0.98	0.98	0.95
	LOW	1400	0.96	0.95	0.94
	HIGH	1800	1.00	1.01	0.96
4CXAD050AC3+TUX1C100A9H4	NOMINAL	1600	0.98	0.98	0.96
	LOW	1400	0.96	0.95	0.95
	HIGH	1800	1.00	1.01	0.97
4CXAD050AC3+TUX1D120A9H5	NOMINAL	1600	0.98	0.99	0.96
	LOW	1400	0.96	0.96	0.95
	HIGH	1800	1.00	1.02	0.97
4CXAD050AC3+TUY100R9V4	NOMINAL	1600	0.97	0.97	0.94
	LOW	1400	0.95	0.94	0.93
	HIGH	1800	0.99	1.00	0.95
4CXAD050AC3+TUY120R9V5	NOMINAL	1600	0.97	0.97	0.94
	LOW	1400	0.95	0.94	0.93
	HIGH	1800	0.99	1.00	0.95
4CXAD061AC3	NOMINAL	1600	0.98	0.99	0.99
	LOW	1400	0.96	0.96	0.98
	HIGH	1800	1.00	1.02	1.00
4CXAD061AC3+TDD100R9V5	NOMINAL	1600	0.99	1.00	0.98
	LOW	1400	0.97	0.97	0.97
	HIGH	1800	1.01	1.03	0.99
4CXAD061AC3+TDD120R9V5	NOMINAL	1600	0.99	1.00	0.98
	LOW	1400	0.97	0.97	0.97
	HIGH	1800	1.01	1.03	0.99
4CXAD061AC3+TDD1C100A9H5	NOMINAL	1600	0.99	1.01	0.98
	LOW	1400	0.97	0.98	0.97
	HIGH	1800	1.01	1.04	0.99
4CXAD061AC3+TDD1D120A9H5	NOMINAL	1600	0.99	1.00	0.98
	LOW	1400	0.97	0.97	0.97
	HIGH	1800	1.01	1.03	0.99
4CXAD061AC3+TDX1C100A9H4	NOMINAL	1600	0.99	1.00	0.98
	LOW	1400	0.97	0.97	0.97
	HIGH	1800	1.01	1.03	0.99
4CXAD061AC3+TDX1D120A9H5	NOMINAL	1600	0.99	1.00	0.98
	LOW	1400	0.97	0.97	0.97
	HIGH	1800	1.01	1.03	0.99
4CXAD061AC3+TDY100R9V4	NOMINAL	1600	0.99	0.99	0.97
	LOW	1400	0.97	0.96	0.96
	HIGH	1800	1.01	1.02	0.98
4CXAD061AC3+TDY120R9V5	NOMINAL	1600	0.99	1.00	0.97
	LOW	1400	0.97	0.97	0.96
	HIGH	1800	1.01	1.03	0.98

**CORRECTION FACTORS FOR OTHER COMBINATIONS (MULTIPLY DATA BY FACTOR)**

INDOOR MODEL		CFM	MBTUH TOT	MBTUH SEN	SYST KW
4CXAD061AC3+TUD080R9V4	NOMINAL	1600	0.98	0.99	0.97
	LOW	1400	0.96	0.96	0.96
	HIGH	1800	1.00	1.02	0.98
4CXAD061AC3+TUD100R9V5	NOMINAL	1600	0.99	1.00	0.98
	LOW	1400	0.97	0.97	0.97
	HIGH	1800	1.01	1.03	0.99
4CXAD061AC3+TUD120R9V5	NOMINAL	1600	0.99	1.00	0.98
	LOW	1400	0.97	0.97	0.97
	HIGH	1800	1.01	1.03	0.99
4CXAD061AC3+TUD140R9V5	NOMINAL	1600	0.99	1.01	0.98
	LOW	1400	0.97	0.98	0.97
	HIGH	1800	1.01	1.04	0.99
4CXAD061AC3+TUD1C080A9H4	NOMINAL	1600	0.99	1.00	0.98
	LOW	1400	0.97	0.97	0.97
	HIGH	1800	1.01	1.03	0.99
4CXAD061AC3+TUD1C100A9H5	NOMINAL	1600	0.98	0.99	0.98
	LOW	1400	0.96	0.96	0.97
	HIGH	1800	1.00	1.02	0.99
4CXAD061AC3+TUD1D120A9H5	NOMINAL	1600	0.99	1.00	0.98
	LOW	1400	0.97	0.97	0.97
	HIGH	1800	1.01	1.03	0.99
4CXAD061AC3+TUD1D140A9H5	NOMINAL	1600	0.99	1.00	0.98
	LOW	1400	0.97	0.97	0.97
	HIGH	1800	1.01	1.03	0.99
4CXAD061AC3+TUX1C100A9H4	NOMINAL	1600	0.99	1.00	0.98
	LOW	1400	0.97	0.97	0.97
	HIGH	1800	1.01	1.03	0.99
4CXAD061AC3+TUX1D120A9H5	NOMINAL	1600	0.99	1.00	0.98
	LOW	1400	0.97	0.97	0.97
	HIGH	1800	1.01	1.03	0.99
4CXAD061AC3+TUY100R9V4	NOMINAL	1600	0.99	1.00	0.97
	LOW	1400	0.97	0.97	0.96
	HIGH	1800	1.01	1.03	0.98
4CXAD061AC3+TUY120R9V5	NOMINAL	1600	0.99	1.00	0.97
	LOW	1400	0.97	0.97	0.96
	HIGH	1800	1.01	1.03	0.98
4CXC048AC3	NOMINAL	1600	0.98	0.96	0.95
	LOW	1400	0.96	0.93	0.94
	HIGH	1800	1.00	0.99	0.96
4CXC048AC3+TDD100R9V5	NOMINAL	1600	0.96	0.97	0.97
	LOW	1400	0.94	0.94	0.96
	HIGH	1800	0.98	1.00	0.98
4CXC048AC3+TDD120R9V5	NOMINAL	1600	0.97	0.97	0.96
	LOW	1400	0.95	0.95	0.95
	HIGH	1800	0.99	1.00	0.97
4CXC048AC3+TDD1C100A9H5	NOMINAL	1600	0.97	0.97	0.95
	LOW	1400	0.95	0.95	0.94
	HIGH	1800	0.99	1.00	0.96
4CXC048AC3+TDD1D120A9H5	NOMINAL	1600	0.97	0.97	0.95
	LOW	1400	0.95	0.94	0.94
	HIGH	1800	0.99	1.00	0.96
4CXC048AC3+TDX1C100A9H4	NOMINAL	1600	0.97	0.97	0.97
	LOW	1400	0.95	0.94	0.96
	HIGH	1800	0.99	1.00	0.98
4CXC048AC3+TDX1D120A9H5	NOMINAL	1600	0.97	0.97	0.97
	LOW	1400	0.95	0.94	0.96
	HIGH	1800	0.99	1.00	0.98
4CXC048AC3+TDY100R9V4	NOMINAL	1600	0.97	0.97	0.98
	LOW	1400	0.95	0.94	0.97
	HIGH	1800	0.99	1.00	0.99
4CXC048AC3+TDY120R9V5	NOMINAL	1600	0.97	0.97	0.96
	LOW	1400	0.95	0.94	0.95
	HIGH	1800	0.99	1.00	0.97



# Performance Data Cooling

## 4TTB3048A1

**CORRECTION FACTORS FOR OTHER COMBINATIONS (MULTIPLY DATA BY FACTOR)**

INDOOR MODEL		CFM	MBTUH TOT	MBTUH SEN	SYST KW
4XCXB048AC3+TUD080R9V4	NOMINAL	1600	0.96	0.97	0.97
	LOW	1400	0.94	0.94	0.96
	HIGH	1800	0.98	1.00	0.98
4XCXB048AC3+TUD120R9V5	NOMINAL	1600	0.96	0.96	0.96
	LOW	1400	0.94	0.93	0.95
	HIGH	1800	0.98	0.99	0.97
4XCXB048AC3+TUD140R9V5	NOMINAL	1600	0.97	0.97	0.97
	LOW	1400	0.95	0.94	0.96
	HIGH	1800	0.98	1.00	0.98
4XCXB048AC3+TUD1C080A9H4	NOMINAL	1600	0.97	0.97	0.95
	LOW	1400	0.95	0.95	0.94
	HIGH	1800	0.99	1.00	0.96
4XCXB048AC3+TUD1C100A9H5	NOMINAL	1600	0.97	0.97	0.94
	LOW	1400	0.95	0.94	0.93
	HIGH	1800	0.99	1.00	0.95
4XCXB048AC3+TUD1D120A9H5	NOMINAL	1600	0.97	0.97	0.95
	LOW	1400	0.95	0.94	0.94
	HIGH	1800	0.99	1.00	0.96
4XCXB048AC3+TUD1D140A9H5	NOMINAL	1600	0.97	0.97	0.95
	LOW	1400	0.95	0.95	0.94
	HIGH	1800	0.99	1.00	0.96
4XCXB048AC3+TUX1C100A9H4	NOMINAL	1600	0.97	0.97	0.95
	LOW	1400	0.95	0.94	0.94
	HIGH	1800	0.99	1.00	0.96
4XCXB048AC3+TUX1D120A9H5	NOMINAL	1600	0.98	0.98	0.95
	LOW	1400	0.96	0.95	0.94
	HIGH	1800	1.00	1.01	0.96
4XCXB048AC3+TUY100R9V4	NOMINAL	1600	0.97	0.97	0.96
	LOW	1400	0.95	0.94	0.95
	HIGH	1800	0.99	1.00	0.97
4XCXB048AC3+TUY120R9V5	NOMINAL	1600	0.97	0.97	0.96
	LOW	1400	0.95	0.94	0.95
	HIGH	1800	0.99	1.00	0.97
4XCXC049AC3	NOMINAL	1600	0.96	0.97	0.97
	LOW	1400	0.94	0.94	0.96
	HIGH	1800	0.98	1.00	0.98
4XCXC049AC3+TDD100R9V5	NOMINAL	1600	0.97	0.98	0.96
	LOW	1400	0.95	0.95	0.95
	HIGH	1800	0.99	1.01	0.97
4XCXC049AC3+TDD120R9V5	NOMINAL	1600	0.97	0.98	0.96
	LOW	1400	0.95	0.95	0.95
	HIGH	1800	0.99	1.01	0.97
4XCXC049AC3+TDD1C100A9H5	NOMINAL	1600	0.98	0.99	0.96
	LOW	1400	0.96	0.96	0.95
	HIGH	1800	1.00	1.02	0.97
4XCXC049AC3+TDD1D120A9H5	NOMINAL	1600	0.98	0.99	0.96
	LOW	1400	0.96	0.96	0.95
	HIGH	1800	1.00	1.02	0.97
4XCXC049AC3+TDX1C100A9H4	NOMINAL	1600	0.96	0.97	0.95
	LOW	1400	0.94	0.94	0.94
	HIGH	1800	0.98	1.00	0.96
4XCXC049AC3+TDX1D120A9H5	NOMINAL	1600	0.98	0.98	0.96
	LOW	1400	0.96	0.95	0.95
	HIGH	1800	1.00	1.01	0.97
4XCXC049AC3+TDY100R9V4	NOMINAL	1600	0.97	0.97	0.96
	LOW	1400	0.95	0.94	0.95
	HIGH	1800	0.99	1.00	0.97
4XCXC049AC3+TDY120R9V5	NOMINAL	1600	0.97	0.97	0.94
	LOW	1400	0.95	0.94	0.93
	HIGH	1800	0.99	1.00	0.95
4XCXC049AC3+TUD080R9V4	NOMINAL	1600	0.96	0.97	0.95
	LOW	1400	0.94	0.94	0.94
	HIGH	1800	0.98	1.00	0.96

**CORRECTION FACTORS FOR OTHER COMBINATIONS (MULTIPLY DATA BY FACTOR)**

INDOOR MODEL		CFM	MBTUH TOT	MBTUH SEN	SYST KW
4XCXC049AC3+TUD100R9V5	NOMINAL	1600	0.97	0.97	0.97
	LOW	1400	0.95	0.94	0.96
	HIGH	1800	0.98	1.00	0.98
4XCXC049AC3+TUD120R9V5	NOMINAL	1600	0.97	0.98	0.96
	LOW	1400	0.95	0.95	0.95
	HIGH	1800	0.99	1.01	0.97
4XCXC049AC3+TUD140R9V5	NOMINAL	1600	0.97	0.98	0.96
	LOW	1400	0.95	0.95	0.95
	HIGH	1800	0.99	1.01	0.97
4XCXC049AC3+TUD1C080A9H4	NOMINAL	1600	0.97	0.98	0.96
	LOW	1400	0.95	0.95	0.95
	HIGH	1800	0.99	1.01	0.97
4XCXC049AC3+TUD1C100A9H5	NOMINAL	1600	0.97	0.98	0.95
	LOW	1400	0.95	0.95	0.94
	HIGH	1800	0.99	1.01	0.96
4XCXC049AC3+TUD1D120A9H5	NOMINAL	1600	0.98	0.98	0.95
	LOW	1400	0.96	0.95	0.94
	HIGH	1800	1.00	1.01	0.96
4XCXC049AC3+TUD1D140A9H5	NOMINAL	1600	0.98	0.98	0.95
	LOW	1400	0.96	0.95	0.94
	HIGH	1800	1.00	1.01	0.96
4XCXC049AC3+TUX1C100A9H4	NOMINAL	1600	0.98	0.99	0.96
	LOW	1400	0.96	0.96	0.95
	HIGH	1800	1.00	1.02	0.97
4XCXC049AC3+TUX1D120A9H5	NOMINAL	1600	0.97	0.98	0.95
	LOW	1400	0.95	0.95	0.94
	HIGH	1800	0.99	1.01	0.96
4XCXC049AC3+TUY100R9V4	NOMINAL	1600	0.97	0.97	0.94
	LOW	1400	0.95	0.94	0.93
	HIGH	1800	0.99	1.00	0.95
4XCXC049AC3+TUY120R9V5	NOMINAL	1600	0.97	0.97	0.94
	LOW	1400	0.95	0.94	0.93
	HIGH	1800	0.99	1.00	0.95
4XCXC060AC3	NOMINAL	1600	0.98	0.99	0.99
	LOW	1400	0.96	0.96	0.98
	HIGH	1800	1.00	1.02	1.00
4XCXC060AC3+TDD100R9V5	NOMINAL	1600	0.98	0.99	0.97
	LOW	1400	0.96	0.96	0.96
	HIGH	1800	1.00	1.02	0.98
4XCXC060AC3+TDD120R9V5	NOMINAL	1600	0.99	1.00	0.98
	LOW	1400	0.97	0.97	0.97
	HIGH	1800	1.01	1.03	0.99
4XCXC060AC3+TDD1C100A9H5	NOMINAL	1600	1.00	1.01	0.98
	LOW	1400	0.98	0.98	0.97
	HIGH	1800	1.02	1.04	0.99
4XCXC060AC3+TDD1D120A9H5	NOMINAL	1600	0.99	1.01	0.98
	LOW	1400	0.97	0.98	0.97
	HIGH	1800	1.01	1.04	0.99
4XCXC060AC3+TDX1C100A9H4	NOMINAL	1600	0.98	0.99	0.97
	LOW	1400	0.96	0.96	0.96
	HIGH	1800	1.00	1.02	0.98
4XCXC060AC3+TDX1D120A9H5	NOMINAL	1600	0.98	0.99	0.97
	LOW	1400	0.96	0.96	0.96
	HIGH	1800	1.00	1.02	0.98
4XCXC060AC3+TDY100R9V4	NOMINAL	1600	0.99	0.99	0.97
	LOW	1400	0.97	0.96	0.96
	HIGH	1800	1.01	1.02	0.98
4XCXC060AC3+TDY120R9V5	NOMINAL	1600	0.99	1.00	0.97
	LOW	1400	0.97	0.97	0.96
	HIGH	1800	1.01	1.03	0.98
4XCXC060AC3+TUD080R9V4	NOMINAL	1600	0.98	0.99	0.97
	LOW	1400	0.96	0.96	0.96
	HIGH	1800	1.00	1.02	0.98



# Performance Data Cooling

## 4TTB3048A1

CORRECTION FACTORS FOR OTHER COMBINATIONS (MULTIPLY DATA BY FACTOR)

INDOOR MODEL		CFM	MBTUH TOT	MBTUH SEN	SYST KW
4CXCC060AC3+TUD100R9V5	NOMINAL	1600	0.99	0.99	0.98
	LOW	1400	0.97	0.96	0.97
	HIGH	1800	1.01	1.02	0.99
4CXCC060AC3+TUD120R9V5	NOMINAL	1600	0.99	1.00	0.98
	LOW	1400	0.97	0.97	0.97
	HIGH	1800	1.01	1.03	0.99
4CXCC060AC3+TUD140R9V5	NOMINAL	1600	0.98	0.99	0.97
	LOW	1400	0.96	0.96	0.96
	HIGH	1800	1.00	1.02	0.98
4CXCC060AC3+TUD1C080A9H4	NOMINAL	1600	0.99	1.01	0.98
	LOW	1400	0.97	0.98	0.97
	HIGH	1800	1.01	1.04	0.99
4CXCC060AC3+TUD1C100A9H5	NOMINAL	1600	0.99	1.00	0.98
	LOW	1400	0.97	0.97	0.97
	HIGH	1800	1.01	1.03	0.99
4CXCC060AC3+TUD1D120A9H5	NOMINAL	1600	0.99	1.01	0.98
	LOW	1400	0.97	0.98	0.97
	HIGH	1800	1.01	1.04	0.99
4CXCC060AC3+TUD1D140A9H5	NOMINAL	1600	0.99	1.00	0.98
	LOW	1400	0.97	0.97	0.97
	HIGH	1800	1.01	1.03	0.99
4CXCC060AC3+TUX1C100A9H4	NOMINAL	1600	0.99	1.00	0.98
	LOW	1400	0.97	0.97	0.97
	HIGH	1800	1.01	1.03	0.99
4CXCC060AC3+TUX1D120A9H5	NOMINAL	1600	0.99	1.00	0.98
	LOW	1400	0.97	0.97	0.97
	HIGH	1800	1.01	1.03	0.99
4CXCC060AC3+TUY100R9V4	NOMINAL	1600	0.99	1.00	0.97
	LOW	1400	0.97	0.97	0.96
	HIGH	1800	1.01	1.03	0.98
4CXCC060AC3+TUY120R9V5	NOMINAL	1600	0.99	1.00	0.97
	LOW	1400	0.97	0.97	0.96
	HIGH	1800	1.01	1.03	0.98
4CXCD050AC3	NOMINAL	1600	0.96	0.97	0.97
	LOW	1400	0.94	0.94	0.96
	HIGH	1800	0.98	1.00	0.98
4CXCD050AC3+TDD100R9V5	NOMINAL	1600	0.97	0.98	0.96
	LOW	1400	0.95	0.95	0.95
	HIGH	1800	0.99	1.01	0.97
4CXCD050AC3+TDD120R9V5	NOMINAL	1600	0.97	0.98	0.96
	LOW	1400	0.95	0.95	0.95
	HIGH	1800	0.99	1.01	0.97
4CXCD050AC3+TDD1C100A9H5	NOMINAL	1600	0.98	0.99	0.96
	LOW	1400	0.96	0.96	0.95
	HIGH	1800	1.00	1.02	0.97
4CXCD050AC3+TDD1D120A9H5	NOMINAL	1600	0.98	0.98	0.96
	LOW	1400	0.96	0.95	0.95
	HIGH	1800	1.00	1.01	0.97
4CXCD050AC3+TDX1C100A9H4	NOMINAL	1600	0.97	0.98	0.96
	LOW	1400	0.95	0.95	0.95
	HIGH	1800	0.99	1.01	0.97
4CXCD050AC3+TDX1D120A9H5	NOMINAL	1600	0.98	0.98	0.95
	LOW	1400	0.96	0.95	0.94
	HIGH	1800	1.00	1.01	0.96
4CXCD050AC3+TDY100R9V4	NOMINAL	1600	0.97	0.97	0.96
	LOW	1400	0.95	0.94	0.95
	HIGH	1800	0.99	1.00	0.97
4CXCD050AC3+TDY120R9V5	NOMINAL	1600	0.97	0.97	0.94
	LOW	1400	0.95	0.94	0.93
	HIGH	1800	0.99	1.00	0.95
4CXCD050AC3+TUD080R9V4	NOMINAL	1600	0.97	0.98	0.96
	LOW	1400	0.95	0.95	0.95
	HIGH	1800	0.99	1.01	0.97

CORRECTION FACTORS FOR OTHER COMBINATIONS (MULTIPLY DATA BY FACTOR)

INDOOR MODEL		CFM	MBTUH TOT	MBTUH SEN	SYST KW
4CXCD050AC3+TUD100R9V5	NOMINAL	1600	0.97	0.97	0.96
	LOW	1400	0.95	0.94	0.95
	HIGH	1800	0.98	1.00	0.97
4CXCD050AC3+TUD120R9V5	NOMINAL	1600	0.97	0.98	0.96
	LOW	1400	0.95	0.95	0.95
	HIGH	1800	0.99	1.01	0.97
4CXCD050AC3+TUD140R9V5	NOMINAL	1600	0.97	0.98	0.96
	LOW	1400	0.95	0.95	0.95
	HIGH	1800	0.99	1.01	0.97
4CXCD050AC3+TUD1C080A9H4	NOMINAL	1600	0.98	0.99	0.96
	LOW	1400	0.96	0.96	0.95
	HIGH	1800	1.00	1.02	0.97
4CXCD050AC3+TUD1C100A9H5	NOMINAL	1600	0.97	0.97	0.95
	LOW	1400	0.95	0.95	0.94
	HIGH	1800	0.99	1.00	0.96
4CXCD050AC3+TUD1D120A9H5	NOMINAL	1600	0.99	0.99	0.96
	LOW	1400	0.97	0.96	0.95
	HIGH	1800	1.01	1.02	0.97
4CXCD050AC3+TUD1D140A9H5	NOMINAL	1600	0.98	0.98	0.95
	LOW	1400	0.96	0.95	0.94
	HIGH	1800	1.00	1.01	0.96
4CXCD050AC3+TUX1C100A9H4	NOMINAL	1600	0.98	0.98	0.96
	LOW	1400	0.96	0.95	0.95
	HIGH	1800	1.00	1.01	0.97
4CXCD050AC3+TUX1D120A9H5	NOMINAL	1600	0.98	0.99	0.96
	LOW	1400	0.96	0.96	0.95
	HIGH	1800	1.00	1.02	0.97
4CXCD050AC3+TUY100R9V4	NOMINAL	1600	0.97	0.97	0.94
	LOW	1400	0.95	0.94	0.93
	HIGH	1800	0.99	1.00	0.95
4CXCD050AC3+TUY120R9V5	NOMINAL	1600	0.97	0.97	0.94
	LOW	1400	0.95	0.94	0.93
	HIGH	1800	0.99	1.00	0.95
4CXCD061AC3	NOMINAL	1600	0.98	0.99	0.99
	LOW	1400	0.96	0.96	0.98
	HIGH	1800	1.00	1.02	1.00
4CXCD061AC3+TDD100R9V5	NOMINAL	1600	0.99	1.00	0.98
	LOW	1400	0.97	0.97	0.97
	HIGH	1800	1.01	1.03	0.99
4CXCD061AC3+TDD120R9V5	NOMINAL	1600	0.99	1.00	0.98
	LOW	1400	0.97	0.97	0.97
	HIGH	1800	1.01	1.03	0.99
4CXCD061AC3+TDD1C100A9H5	NOMINAL	1600	0.99	1.01	0.98
	LOW	1400	0.97	0.98	0.97
	HIGH	1800	1.01	1.04	0.99
4CXCD061AC3+TDD1D120A9H5	NOMINAL	1600	0.99	1.00	0.98
	LOW	1400	0.97	0.97	0.97
	HIGH	1800	1.01	1.03	0.99
4CXCD061AC3+TDX1C100A9H4	NOMINAL	1600	0.99	1.00	0.98
	LOW	1400	0.97	0.97	0.97
	HIGH	1800	1.01	1.03	0.99
4CXCD061AC3+TDX1D120A9H5	NOMINAL	1600	0.99	1.00	0.98
	LOW	1400	0.97	0.97	0.97
	HIGH	1800	1.01	1.03	0.99
4CXCD061AC3+TDY100R9V4	NOMINAL	1600	0.99	0.99	0.97
	LOW	1400	0.97	0.96	0.96
	HIGH	1800	1.01	1.02	0.98
4CXCD061AC3+TDY120R9V5	NOMINAL	1600	0.99	1.00	0.97
	LOW	1400	0.97	0.97	0.96
	HIGH	1800	1.01	1.03	0.98
4CXCD061AC3+TUD080R9V4	NOMINAL	1600	0.98	0.99	0.97
	LOW	1400	0.96	0.96	0.96
	HIGH	1800	1.00	1.02	0.98



# Performance Data Cooling

## 4TTB3048A1

CORRECTION FACTORS FOR OTHER COMBINATIONS (MULTIPLY DATA BY FACTOR)

INDOOR MODEL		CFM	MBTUH TOT	MBTUH SEN	SYST KW
4CXCD061AC3+TUD100R9V5	NOMINAL	1600	0.99	1.00	0.98
	LOW	1400	0.97	0.97	0.97
	HIGH	1800	1.01	1.03	0.99
4CXCD061AC3+TUD120R9V5	NOMINAL	1600	0.99	1.00	0.98
	LOW	1400	0.97	0.97	0.97
	HIGH	1800	1.01	1.03	0.99
4CXCD061AC3+TUD140R9V5	NOMINAL	1600	0.99	1.01	0.98
	LOW	1400	0.97	0.98	0.97
	HIGH	1800	1.01	1.04	0.99
4CXCD061AC3+TUD1C080A9H4	NOMINAL	1600	0.99	1.00	0.98
	LOW	1400	0.97	0.97	0.97
	HIGH	1800	1.01	1.03	0.99
4CXCD061AC3+TUD1C100A9H5	NOMINAL	1600	0.98	0.99	0.98
	LOW	1400	0.96	0.96	0.97
	HIGH	1800	1.00	1.02	0.99
4CXCD061AC3+TUD1D120A9H5	NOMINAL	1600	0.99	1.00	0.98
	LOW	1400	0.97	0.97	0.97
	HIGH	1800	1.01	1.03	0.99
4CXCD061AC3+TUD1D140A9H5	NOMINAL	1600	0.99	1.00	0.98
	LOW	1400	0.97	0.97	0.97
	HIGH	1800	1.01	1.03	0.99
4CXCD061AC3+TUX1C100A9H4	NOMINAL	1600	0.99	1.00	0.98
	LOW	1400	0.97	0.97	0.97
	HIGH	1800	1.01	1.03	0.99
4CXCD061AC3+TUX1D120A9H5	NOMINAL	1600	0.99	1.00	0.98
	LOW	1400	0.97	0.97	0.97
	HIGH	1800	1.01	1.03	0.99
4CXCD061AC3+TUY100R9V4	NOMINAL	1600	0.99	1.00	0.97
	LOW	1400	0.97	0.97	0.96
	HIGH	1800	1.01	1.03	0.98
4CXCD061AC3+TUY120R9V5	NOMINAL	1600	0.99	1.00	0.97
	LOW	1400	0.97	0.97	0.96
	HIGH	1800	1.01	1.03	0.98
4TEC3F48A1	NOMINAL	1600	0.98	0.98	0.99
	LOW	1400	0.96	0.95	0.98
	HIGH	1800	1.00	1.01	1.00
4TEC3F55A1	NOMINAL	1600	0.99	0.98	0.98
	LOW	1400	0.97	0.95	0.97
	HIGH	1800	1.01	1.01	0.99
4TEE3F49A1	NOMINAL	1600	1.00	1.00	0.99
	LOW	1400	0.98	0.97	0.98
	HIGH	1800	1.02	1.03	1.00
4TEE3F65A1	NOMINAL	1600	1.03	1.02	1.02
	LOW	1400	1.01	0.99	1.01
	HIGH	1800	1.06	1.05	1.03
4TEP3F48B1	NOMINAL	1600	0.98	0.99	0.99
	LOW	1400	0.96	0.96	0.98
	HIGH	1800	1.00	1.02	1.00
4TXCB048AC3	NOMINAL	1600	0.98	0.96	0.95
	LOW	1400	0.96	0.93	0.94
	HIGH	1800	1.00	0.99	0.96
4TXCB048AC3+TDD100R9V5	NOMINAL	1600	0.96	0.97	0.97
	LOW	1400	0.94	0.94	0.96
	HIGH	1800	0.98	1.00	0.98
4TXCB048AC3+TDD120R9V5	NOMINAL	1600	0.97	0.97	0.96
	LOW	1400	0.95	0.95	0.95
	HIGH	1800	0.99	1.00	0.97
4TXCB048AC3+TDD1C100A9H5	NOMINAL	1600	0.97	0.97	0.95
	LOW	1400	0.95	0.95	0.94
	HIGH	1800	0.99	1.00	0.96
4TXCB048AC3+TDD1D120A9H5	NOMINAL	1600	0.97	0.97	0.95
	LOW	1400	0.95	0.94	0.94
	HIGH	1800	0.99	1.00	0.96
4TXCB048AC3+TDD1D120A9H5	NOMINAL	1600	0.97	0.97	0.95
	LOW	1400	0.95	0.94	0.94
	HIGH	1800	0.99	1.00	0.96

CORRECTION FACTORS FOR OTHER COMBINATIONS (MULTIPLY DATA BY FACTOR)

INDOOR MODEL		CFM	MBTUH TOT	MBTUH SEN	SYST KW
4TXCB048AC3+TDX1C100A9H4	NOMINAL	1600	0.97	0.97	0.97
	LOW	1400	0.95	0.94	0.96
	HIGH	1800	0.99	1.00	0.98
4TXCB048AC3+TDX1D120A9H5	NOMINAL	1600	0.97	0.97	0.97
	LOW	1400	0.95	0.94	0.96
	HIGH	1800	0.99	1.00	0.98
4TXCB048AC3+TDY100R9V4	NOMINAL	1600	0.97	0.97	0.96
	LOW	1400	0.95	0.94	0.95
	HIGH	1800	0.99	1.00	0.97
4TXCB048AC3+TDY120R9V5	NOMINAL	1600	0.97	0.97	0.96
	LOW	1400	0.95	0.94	0.95
	HIGH	1800	0.99	1.00	0.97
4TXCB048AC3+TUD080R9V4	NOMINAL	1600	0.96	0.97	0.97
	LOW	1400	0.94	0.94	0.96
	HIGH	1800	0.98	1.00	0.98
4TXCB048AC3+TUD120R9V5	NOMINAL	1600	0.96	0.96	0.96
	LOW	1400	0.94	0.93	0.95
	HIGH	1800	0.98	0.99	0.97
4TXCB048AC3+TUD140R9V5	NOMINAL	1600	0.97	0.97	0.97
	LOW	1400	0.95	0.94	0.96
	HIGH	1800	0.98	1.00	0.98
4TXCB048AC3+TUD1C080A9H4	NOMINAL	1600	0.97	0.97	0.95
	LOW	1400	0.95	0.95	0.94
	HIGH	1800	0.99	1.00	0.96
4TXCB048AC3+TUD1C100A9H5	NOMINAL	1600	0.97	0.97	0.94
	LOW	1400	0.95	0.94	0.93
	HIGH	1800	0.99	1.00	0.95
4TXCB048AC3+TUD1D120A9H5	NOMINAL	1600	0.97	0.97	0.95
	LOW	1400	0.95	0.94	0.94
	HIGH	1800	0.99	1.00	0.96
4TXCB048AC3+TUD1D140A9H5	NOMINAL	1600	0.97	0.97	0.95
	LOW	1400	0.95	0.95	0.94
	HIGH	1800	0.99	1.00	0.96
4TXCB048AC3+TUX1C100A9H4	NOMINAL	1600	0.97	0.97	0.95
	LOW	1400	0.95	0.94	0.94
	HIGH	1800	0.99	1.00	0.96
4TXCB048AC3+TUX1D120A9H5	NOMINAL	1600	0.98	0.98	0.95
	LOW	1400	0.96	0.95	0.94
	HIGH	1800	1.00	1.01	0.96
4TXCB048AC3+TUY100R9V4	NOMINAL	1600	0.97	0.97	0.96
	LOW	1400	0.95	0.94	0.95
	HIGH	1800	0.99	1.00	0.97
4TXCB048AC3+TUY120R9V5	NOMINAL	1600	0.97	0.97	0.96
	LOW	1400	0.95	0.94	0.95
	HIGH	1800	0.99	1.00	0.97
4TXCC037AS3+TDD100R9V5	NOMINAL	1600	0.98	0.98	0.97
	LOW	1400	0.96	0.95	0.96
	HIGH	1800	1.00	1.01	0.98
4TXCC037AS3+TDD1C100A9H5	NOMINAL	1600	1.00	0.99	0.97
	LOW	1400	0.98	0.96	0.96
	HIGH	1800	1.02	1.02	0.98
4TXCC037AS3+TDY100R9V4	NOMINAL	1600	0.98	0.97	0.95
	LOW	1400	0.96	0.94	0.94
	HIGH	1800	1.00	1.00	0.96
4TXCC037AS3+TUD1C100A9H5	NOMINAL	1600	0.99	0.98	0.96
	LOW	1400	0.97	0.95	0.95
	HIGH	1800	1.01	1.01	0.97
4TXCC037AS3+TUX1C100A9H4	NOMINAL	1600	1.00	0.99	0.97
	LOW	1400	0.98	0.96	0.96
	HIGH	1800	1.02	1.02	0.98
4TXCC037AS3+TUY100R9V4	NOMINAL	1600	0.98	0.97	0.95
	LOW	1400	0.96	0.94	0.94
	HIGH	1800	1.00	1.00	0.96



# Performance Data Cooling

## 4TTB3048A1

**CORRECTION FACTORS FOR OTHER COMBINATIONS (MULTIPLY DATA BY FACTOR)**

INDOOR MODEL		CFM	MBTUH TOT	MBTUH SEN	SYST KW
4TXCC049AC3+TDD100R9V5	NOMINAL	1600	0.97	0.98	0.96
	LOW	1400	0.95	0.95	0.95
	HIGH	1800	0.99	1.01	0.97
4TXCC049AC3+TDD120R9V5	NOMINAL	1600	0.97	0.98	0.96
	LOW	1400	0.95	0.95	0.95
	HIGH	1800	0.99	1.01	0.97
4TXCC049AC3+TDD1C100A9H5	NOMINAL	1600	0.98	0.99	0.96
	LOW	1400	0.96	0.96	0.95
	HIGH	1800	1.00	1.02	0.97
4TXCC049AC3+TDD1D120A9H5	NOMINAL	1600	0.98	0.99	0.96
	LOW	1400	0.96	0.96	0.95
	HIGH	1800	1.00	1.02	0.97
4TXCC049AC3+TDX1C100A9H4	NOMINAL	1600	0.96	0.97	0.95
	LOW	1400	0.94	0.94	0.94
	HIGH	1800	0.98	1.00	0.96
4TXCC049AC3+TDX1D120A9H5	NOMINAL	1600	0.98	0.98	0.96
	LOW	1400	0.96	0.95	0.95
	HIGH	1800	1.00	1.01	0.97
4TXCC049AC3+TDY100R9V4	NOMINAL	1600	0.97	0.97	0.96
	LOW	1400	0.95	0.94	0.95
	HIGH	1800	0.99	1.00	0.97
4TXCC049AC3+TDY120R9V5	NOMINAL	1600	0.97	0.97	0.94
	LOW	1400	0.95	0.94	0.93
	HIGH	1800	0.99	1.00	0.95
4TXCC049AC3+TUD080R9V4	NOMINAL	1600	0.96	0.97	0.95
	LOW	1400	0.94	0.94	0.94
	HIGH	1800	0.98	1.00	0.96
4TXCC049AC3+TUD100R9V5	NOMINAL	1600	0.97	0.97	0.97
	LOW	1400	0.95	0.94	0.96
	HIGH	1800	0.98	1.00	0.98
4TXCC049AC3+TUD120R9V5	NOMINAL	1600	0.97	0.98	0.96
	LOW	1400	0.95	0.95	0.95
	HIGH	1800	0.99	1.01	0.97
4TXCC049AC3+TUD140R9V5	NOMINAL	1600	0.97	0.98	0.96
	LOW	1400	0.95	0.95	0.95
	HIGH	1800	0.99	1.01	0.97
4TXCC049AC3+TUD1C080A9H4	NOMINAL	1600	0.97	0.98	0.96
	LOW	1400	0.95	0.95	0.95
	HIGH	1800	0.99	1.01	0.97
4TXCC049AC3+TUD1C100A9H5	NOMINAL	1600	0.97	0.98	0.95
	LOW	1400	0.95	0.95	0.94
	HIGH	1800	0.99	1.01	0.96
4TXCC049AC3+TUD1D120A9H5	NOMINAL	1600	0.98	0.98	0.95
	LOW	1400	0.96	0.95	0.94
	HIGH	1800	1.00	1.01	0.96
4TXCC049AC3+TUD1D140A9H5	NOMINAL	1600	0.98	0.98	0.95
	LOW	1400	0.96	0.95	0.94
	HIGH	1800	1.00	1.01	0.96
4TXCC049AC3+TUX1C100A9H4	NOMINAL	1600	0.98	0.99	0.96
	LOW	1400	0.96	0.96	0.95
	HIGH	1800	1.00	1.02	0.97
4TXCC049AC3+TUX1D120A9H5	NOMINAL	1600	0.97	0.98	0.95
	LOW	1400	0.95	0.95	0.94
	HIGH	1800	0.99	1.01	0.96
4TXCC049AC3+TUY100R9V4	NOMINAL	1600	0.97	0.97	0.94
	LOW	1400	0.95	0.94	0.93
	HIGH	1800	0.99	1.00	0.95
4TXCC049AC3+TUY120R9V5	NOMINAL	1600	0.97	0.97	0.94
	LOW	1400	0.95	0.94	0.93
	HIGH	1800	0.99	1.00	0.95
4TXCC054AS3	NOMINAL	1600	0.95	0.97	0.95
	LOW	1400	0.93	0.94	0.94
	HIGH	1800	0.97	1.00	0.96

**CORRECTION FACTORS FOR OTHER COMBINATIONS (MULTIPLY DATA BY FACTOR)**

INDOOR MODEL		CFM	MBTUH TOT	MBTUH SEN	SYST KW
4TXCC054AS3+TDD100R9V5	NOMINAL	1600	0.96	0.98	0.95
	LOW	1400	0.94	0.95	0.94
	HIGH	1800	0.98	1.01	0.95
4TXCC054AS3+TDD1C100A9H5	NOMINAL	1600	0.97	0.99	0.94
	LOW	1400	0.95	0.96	0.93
	HIGH	1800	0.99	1.02	0.95
4TXCC054AS3+TDX1C100A9H4	NOMINAL	1600	0.96	0.98	0.95
	LOW	1400	0.94	0.95	0.94
	HIGH	1800	0.98	1.01	0.96
4TXCC054AS3+TDY100R9V4	NOMINAL	1600	0.96	0.97	0.95
	LOW	1400	0.94	0.94	0.94
	HIGH	1800	0.98	1.00	0.96
4TXCC054AS3+TUD080R9V4	NOMINAL	1600	0.96	0.98	0.95
	LOW	1400	0.94	0.95	0.94
	HIGH	1800	0.98	1.01	0.96
4TXCC054AS3+TUD100R9V5	NOMINAL	1600	0.96	0.97	0.96
	LOW	1400	0.94	0.95	0.95
	HIGH	1800	0.97	1.00	0.97
4TXCC054AS3+TUD1C080A9H4	NOMINAL	1600	0.97	0.99	0.96
	LOW	1400	0.95	0.96	0.95
	HIGH	1800	0.99	1.02	0.97
4TXCC054AS3+TUD1C100A9H5	NOMINAL	1600	0.97	0.99	0.95
	LOW	1400	0.95	0.96	0.94
	HIGH	1800	0.99	1.02	0.96
4TXCC054AS3+TUX1C100A9H4	NOMINAL	1600	0.97	0.99	0.95
	LOW	1400	0.95	0.96	0.94
	HIGH	1800	0.99	1.02	0.95
4TXCC054AS3+TUY100R9V4	NOMINAL	1600	0.97	0.99	0.96
	LOW	1400	0.95	0.96	0.95
	HIGH	1800	0.99	1.02	0.97
4TXCC060AC3	NOMINAL	1600	0.98	0.99	0.99
	LOW	1400	0.96	0.96	0.98
	HIGH	1800	1.00	1.02	1.00
4TXCC060AC3+TDD100R9V5	NOMINAL	1600	0.98	0.99	0.97
	LOW	1400	0.96	0.96	0.96
	HIGH	1800	1.00	1.02	0.98
4TXCC060AC3+TDD120R9V5	NOMINAL	1600	0.99	1.00	0.98
	LOW	1400	0.97	0.97	0.97
	HIGH	1800	1.01	1.03	0.99
4TXCC060AC3+TDD1C100A9H5	NOMINAL	1600	1.00	1.01	0.98
	LOW	1400	0.98	0.98	0.97
	HIGH	1800	1.02	1.04	0.99
4TXCC060AC3+TDD1D120A9H5	NOMINAL	1600	0.99	1.01	0.98
	LOW	1400	0.97	0.98	0.97
	HIGH	1800	1.01	1.04	0.99
4TXCC060AC3+TDX1C100A9H4	NOMINAL	1600	0.98	0.99	0.97
	LOW	1400	0.96	0.96	0.96
	HIGH	1800	1.00	1.02	0.98
4TXCC060AC3+TDX1D120A9H5	NOMINAL	1600	0.98	0.99	0.97
	LOW	1400	0.96	0.96	0.96
	HIGH	1800	1.00	1.02	0.98
4TXCC060AC3+TDY100R9V4	NOMINAL	1600	0.99	0.99	0.97
	LOW	1400	0.97	0.96	0.96
	HIGH	1800	1.01	1.02	0.98
4TXCC060AC3+TDY120R9V5	NOMINAL	1600	0.99	1.00	0.97
	LOW	1400	0.97	0.97	0.96
	HIGH	1800	1.01	1.03	0.98
4TXCC060AC3+TUD080R9V4	NOMINAL	1600	0.98	0.99	0.97
	LOW	1400	0.96	0.96	0.96
	HIGH	1800	1.00	1.02	0.98
4TXCC060AC3+TUD100R9V5	NOMINAL	1600	0.99	0.99	0.98
	LOW	1400	0.97	0.96	0.97
	HIGH	1800	1.01	1.02	0.99



# Performance Data Cooling

## 4TTB3048A1

**CORRECTION FACTORS FOR OTHER COMBINATIONS (MULTIPLY DATA BY FACTOR)**

INDOOR MODEL		CFM	MBTUH TOT	MBTUH SEN	SYST KW
4TXCC060AC3+TUD120R9V5	NOMINAL	1600	0.99	1.00	0.98
	LOW	1400	0.97	0.97	0.97
	HIGH	1800	1.01	1.03	0.99
4TXCC060AC3+TUD140R9V5	NOMINAL	1600	0.98	0.99	0.97
	LOW	1400	0.96	0.96	0.96
	HIGH	1800	1.00	1.02	0.98
4TXCC060AC3+TUD1C080A9H4	NOMINAL	1600	0.99	1.01	0.98
	LOW	1400	0.97	0.98	0.97
	HIGH	1800	1.01	1.04	0.99
4TXCC060AC3+TUD1C100A9H5	NOMINAL	1600	0.99	1.00	0.98
	LOW	1400	0.97	0.97	0.97
	HIGH	1800	1.01	1.03	0.99
4TXCC060AC3+TUD1D120A9H5	NOMINAL	1600	0.99	1.01	0.98
	LOW	1400	0.97	0.98	0.97
	HIGH	1800	1.01	1.04	0.99
4TXCC060AC3+TUD1D140A9H5	NOMINAL	1600	0.99	1.00	0.98
	LOW	1400	0.97	0.97	0.97
	HIGH	1800	1.01	1.03	0.99
4TXCC060AC3+TUX1C100A9H4	NOMINAL	1600	0.99	1.00	0.98
	LOW	1400	0.97	0.97	0.97
	HIGH	1800	1.01	1.03	0.99
4TXCC060AC3+TUX1D120A9H5	NOMINAL	1600	0.99	1.00	0.98
	LOW	1400	0.97	0.97	0.97
	HIGH	1800	1.01	1.03	0.99
4TXCC060AC3+TUY100R9V4	NOMINAL	1600	0.99	1.00	0.97
	LOW	1400	0.97	0.97	0.96
	HIGH	1800	1.01	1.03	0.98
4TXCC060AC3+TUY120R9V5	NOMINAL	1600	0.99	1.00	0.97
	LOW	1400	0.97	0.97	0.96
	HIGH	1800	1.01	1.03	0.98
4TXCD050AC3	NOMINAL	1600	0.96	0.97	0.97
	LOW	1400	0.94	0.94	0.96
	HIGH	1800	0.98	1.00	0.98
4TXCD050AC3+TDD100R9V5	NOMINAL	1600	0.97	0.98	0.96
	LOW	1400	0.95	0.95	0.95
	HIGH	1800	0.99	1.01	0.97
4TXCD050AC3+TDD120R9V5	NOMINAL	1600	0.97	0.98	0.96
	LOW	1400	0.95	0.95	0.95
	HIGH	1800	0.99	1.01	0.97
4TXCD050AC3+TDD1C100A9H5	NOMINAL	1600	0.98	0.99	0.96
	LOW	1400	0.96	0.96	0.95
	HIGH	1800	1.00	1.02	0.97
4TXCD050AC3+TDD1D120A9H5	NOMINAL	1600	0.98	0.98	0.96
	LOW	1400	0.96	0.95	0.95
	HIGH	1800	1.00	1.01	0.97
4TXCD050AC3+TDX1C100A9H4	NOMINAL	1600	0.97	0.98	0.96
	LOW	1400	0.95	0.95	0.95
	HIGH	1800	0.99	1.01	0.97
4TXCD050AC3+TDX1D120A9H5	NOMINAL	1600	0.98	0.98	0.95
	LOW	1400	0.96	0.95	0.94
	HIGH	1800	1.00	1.01	0.96
4TXCD050AC3+TDY100R9V4	NOMINAL	1600	0.97	0.97	0.96
	LOW	1400	0.95	0.94	0.95
	HIGH	1800	0.99	1.00	0.97
4TXCD050AC3+TDY120R9V5	NOMINAL	1600	0.97	0.97	0.94
	LOW	1400	0.95	0.94	0.93
	HIGH	1800	0.99	1.00	0.95
4TXCD050AC3+TUD080R9V4	NOMINAL	1600	0.97	0.98	0.96
	LOW	1400	0.95	0.95	0.95
	HIGH	1800	0.99	1.01	0.97
4TXCD050AC3+TUD100R9V5	NOMINAL	1600	0.97	0.97	0.96
	LOW	1400	0.95	0.94	0.95
	HIGH	1800	0.98	1.00	0.97

**CORRECTION FACTORS FOR OTHER COMBINATIONS (MULTIPLY DATA BY FACTOR)**

INDOOR MODEL		CFM	MBTUH TOT	MBTUH SEN	SYST KW
4TXCD050AC3+TUD120R9V5	NOMINAL	1600	0.97	0.98	0.96
	LOW	1400	0.95	0.95	0.95
	HIGH	1800	0.99	1.01	0.97
4TXCD050AC3+TUD140R9V5	NOMINAL	1600	0.97	0.98	0.96
	LOW	1400	0.95	0.95	0.95
	HIGH	1800	0.99	1.01	0.97
4TXCD050AC3+TUD1C080A9H4	NOMINAL	1600	0.98	0.99	0.96
	LOW	1400	0.96	0.96	0.95
	HIGH	1800	1.00	1.02	0.97
4TXCD050AC3+TUD1C100A9H5	NOMINAL	1600	0.97	0.97	0.95
	LOW	1400	0.95	0.95	0.94
	HIGH	1800	0.99	1.00	0.96
4TXCD050AC3+TUD1D120A9H5	NOMINAL	1600	0.99	0.99	0.96
	LOW	1400	0.97	0.96	0.95
	HIGH	1800	1.01	1.02	0.97
4TXCD050AC3+TUD1D140A9H5	NOMINAL	1600	0.98	0.98	0.95
	LOW	1400	0.96	0.95	0.94
	HIGH	1800	1.00	1.01	0.96
4TXCD050AC3+TUX1C100A9H4	NOMINAL	1600	0.98	0.98	0.96
	LOW	1400	0.96	0.95	0.95
	HIGH	1800	1.00	1.01	0.97
4TXCD050AC3+TUX1D120A9H5	NOMINAL	1600	0.98	0.99	0.96
	LOW	1400	0.96	0.96	0.95
	HIGH	1800	1.00	1.02	0.97
4TXCD050AC3+TUY100R9V4	NOMINAL	1600	0.97	0.97	0.94
	LOW	1400	0.95	0.94	0.93
	HIGH	1800	0.99	1.00	0.95
4TXCD050AC3+TUY120R9V5	NOMINAL	1600	0.97	0.97	0.94
	LOW	1400	0.95	0.94	0.93
	HIGH	1800	0.99	1.00	0.95
4TXCD061AC3	NOMINAL	1600	0.98	0.99	0.99
	LOW	1400	0.96	0.96	0.98
	HIGH	1800	1.00	1.02	1.00
4TXCD061AC3+TDD100R9V5	NOMINAL	1600	0.99	1.00	0.98
	LOW	1400	0.97	0.97	0.97
	HIGH	1800	1.01	1.03	0.99
4TXCD061AC3+TDD120R9V5	NOMINAL	1600	0.99	1.00	0.98
	LOW	1400	0.97	0.97	0.97
	HIGH	1800	1.01	1.03	0.99
4TXCD061AC3+TDD1C100A9H5	NOMINAL	1600	0.99	1.01	0.98
	LOW	1400	0.97	0.98	0.97
	HIGH	1800	1.01	1.04	0.99
4TXCD061AC3+TDD1D120A9H5	NOMINAL	1600	0.99	1.00	0.98
	LOW	1400	0.97	0.97	0.97
	HIGH	1800	1.01	1.03	0.99
4TXCD061AC3+TDX1C100A9H4	NOMINAL	1600	0.99	1.00	0.98
	LOW	1400	0.97	0.97	0.97
	HIGH	1800	1.01	1.03	0.99
4TXCD061AC3+TDX1D120A9H5	NOMINAL	1600	0.99	1.00	0.98
	LOW	1400	0.97	0.97	0.97
	HIGH	1800	1.01	1.03	0.99
4TXCD061AC3+TDY100R9V4	NOMINAL	1600	0.99	0.99	0.97
	LOW	1400	0.97	0.96	0.96
	HIGH	1800	1.01	1.02	0.98
4TXCD061AC3+TDY120R9V5	NOMINAL	1600	0.99	1.00	0.97
	LOW	1400	0.97	0.97	0.96
	HIGH	1800	1.01	1.03	0.98
4TXCD061AC3+TUD080R9V4	NOMINAL	1600	0.98	0.99	0.97
	LOW	1400	0.96	0.96	0.96
	HIGH	1800	1.00	1.02	0.98
4TXCD061AC3+TUD100R9V5	NOMINAL	1600	0.99	1.00	0.98
	LOW	1400	0.97	0.97	0.97
	HIGH	1800	1.01	1.03	0.99



# Performance Data Cooling

## 4TTB3048A1

CORRECTION FACTORS FOR OTHER COMBINATIONS (MULTIPLY DATA BY FACTOR)

INDOOR MODEL		CFM	MBTUH TOT	MBTUH SEN	SYST KW
4TXCD061AC3+TUD120R9V5	NOMINAL	1600	0.99	1.00	0.98
	LOW	1400	0.97	0.97	0.97
	HIGH	1800	1.01	1.03	0.99
4TXCD061AC3+TUD140R9V5	NOMINAL	1600	0.99	1.01	0.98
	LOW	1400	0.97	0.98	0.97
	HIGH	1800	1.01	1.04	0.99
4TXCD061AC3+TUD1C080A9H4	NOMINAL	1600	0.99	1.00	0.98
	LOW	1400	0.97	0.97	0.97
	HIGH	1800	1.01	1.03	0.99
4TXCD061AC3+TUD1C100A9H5	NOMINAL	1600	0.98	0.99	0.98
	LOW	1400	0.96	0.96	0.97
	HIGH	1800	1.00	1.02	0.99
4TXCD061AC3+TUD1D120A9H5	NOMINAL	1600	0.99	1.00	0.98
	LOW	1400	0.97	0.97	0.97
	HIGH	1800	1.01	1.03	0.99
4TXCD061AC3+TUD1D140A9H5	NOMINAL	1600	0.99	1.00	0.98
	LOW	1400	0.97	0.97	0.97
	HIGH	1800	1.01	1.03	0.99
4TXCD061AC3+TUX1C100A9H4	NOMINAL	1600	0.99	1.00	0.98
	LOW	1400	0.97	0.97	0.97
	HIGH	1800	1.01	1.03	0.99
4TXCD061AC3+TUX1D120A9H5	NOMINAL	1600	0.99	1.00	0.98
	LOW	1400	0.97	0.97	0.97
	HIGH	1800	1.01	1.03	0.99
4TXCD061AC3+TUY100R9V4	NOMINAL	1600	0.99	1.00	0.97
	LOW	1400	0.97	0.97	0.96
	HIGH	1800	1.01	1.03	0.98
4TXCD061AC3+TUY120R9V5	NOMINAL	1600	0.99	1.00	0.97
	LOW	1400	0.97	0.97	0.96
	HIGH	1800	1.01	1.03	0.98
4TXCD065AS3	NOMINAL	1600	0.98	1.01	0.99
	LOW	1400	0.96	0.98	0.98
	HIGH	1800	1.00	1.04	1.00
4TXCD065AS3+TUD100R9V5	NOMINAL	1600	0.99	1.01	0.98
	LOW	1400	0.97	0.98	0.97
	HIGH	1800	1.01	1.04	0.99
4TXCD065AS3+TUD120R9V5	NOMINAL	1600	0.99	1.02	0.98
	LOW	1400	0.97	0.99	0.97
	HIGH	1800	1.01	1.05	0.99
4TXCD065AS3+TUD140R9V5	NOMINAL	1600	0.99	1.03	0.98
	LOW	1400	0.97	0.99	0.97
	HIGH	1800	1.01	1.06	0.99
4TXCD065AS3+TUD1C100A9H5	NOMINAL	1600	0.98	1.01	0.98
	LOW	1400	0.96	0.98	0.97
	HIGH	1800	1.00	1.04	0.99
4TXCD065AS3+TUD1D120A9H5	NOMINAL	1600	0.99	1.02	0.98
	LOW	1400	0.97	0.99	0.97
	HIGH	1800	1.01	1.05	0.99
4TXCD065AS3+TUD1D140A9H5	NOMINAL	1600	0.99	1.02	0.98
	LOW	1400	0.97	0.99	0.97
	HIGH	1800	1.01	1.05	0.99
4TXCD065AS3+TUX1D120A9H5	NOMINAL	1600	0.99	1.02	0.98
	LOW	1400	0.97	0.99	0.97
	HIGH	1800	1.01	1.05	0.99
4TXCD065AS3+TUY100R9V4	NOMINAL	1600	0.99	1.02	0.97
	LOW	1400	0.97	0.99	0.96
	HIGH	1800	1.01	1.05	0.98
4TXFH054AS3	NOMINAL	1600	0.99	0.97	1.00
	LOW	1400	0.97	0.94	0.99
	HIGH	1800	1.01	1.00	1.01
4TXFH054AS3+TDD100R9V5	NOMINAL	1600	1.00	0.98	0.99
	LOW	1400	0.98	0.95	0.98
	HIGH	1800	1.02	1.01	1.00

CORRECTION FACTORS FOR OTHER COMBINATIONS (MULTIPLY DATA BY FACTOR)

INDOOR MODEL		CFM	MBTUH TOT	MBTUH SEN	SYST KW
4TXFH054AS3+TDD120R9V5	NOMINAL	1600	1.00	0.98	0.99
	LOW	1400	0.98	0.95	0.98
	HIGH	1800	1.02	1.01	1.00
4TXFH054AS3+TDD1C100A9H5	NOMINAL	1600	1.01	0.99	0.99
	LOW	1400	0.99	0.96	0.98
	HIGH	1800	1.03	1.02	1.00
4TXFH054AS3+TDD1D120A9H5	NOMINAL	1600	1.01	0.99	0.99
	LOW	1400	0.99	0.96	0.98
	HIGH	1800	1.03	1.02	1.00
4TXFH054AS3+TDX1C100A9H4	NOMINAL	1600	1.00	0.97	0.98
	LOW	1400	0.98	0.95	0.97
	HIGH	1800	1.02	1.00	0.99
4TXFH054AS3+TDX1D120A9H5	NOMINAL	1600	1.00	0.98	0.99
	LOW	1400	0.98	0.95	0.98
	HIGH	1800	1.02	1.01	1.00
4TXFH054AS3+TDY100R9V4	NOMINAL	1600	1.00	0.97	0.98
	LOW	1400	0.98	0.95	0.97
	HIGH	1800	1.02	1.00	0.99
4TXFH054AS3+TDY120R9V5	NOMINAL	1600	1.00	0.98	0.98
	LOW	1400	0.98	0.95	0.97
	HIGH	1800	1.02	1.01	0.99
4TXFH054AS3+TUD080R9V4	NOMINAL	1600	1.00	0.97	0.98
	LOW	1400	0.98	0.95	0.97
	HIGH	1800	1.02	1.00	0.99
4TXFH054AS3+TUD100R9V5	NOMINAL	1600	1.00	0.98	0.99
	LOW	1400	0.98	0.95	0.98
	HIGH	1800	1.02	1.01	1.00
4TXFH054AS3+TUD120R9V5	NOMINAL	1600	1.00	0.98	0.99
	LOW	1400	0.98	0.95	0.98
	HIGH	1800	1.02	1.01	1.00
4TXFH054AS3+TUD140R9V5	NOMINAL	1600	1.01	0.99	0.99
	LOW	1400	0.99	0.96	0.98
	HIGH	1800	1.03	1.02	1.00
4TXFH054AS3+TUD1C080A9H4	NOMINAL	1600	1.00	0.99	0.99
	LOW	1400	0.98	0.96	0.98
	HIGH	1800	1.02	1.02	1.00
4TXFH054AS3+TUD1C100A9H5	NOMINAL	1600	1.01	0.98	0.98
	LOW	1400	0.99	0.95	0.97
	HIGH	1800	1.03	1.01	0.99
4TXFH054AS3+TUD1D120A9H5	NOMINAL	1600	1.00	0.99	0.99
	LOW	1400	0.98	0.96	0.98
	HIGH	1800	1.02	1.02	1.00
4TXFH054AS3+TUD1D140A9H5	NOMINAL	1600	1.00	0.99	0.99
	LOW	1400	0.98	0.96	0.98
	HIGH	1800	1.02	1.02	1.00
4TXFH054AS3+TUX1C100A9H4	NOMINAL	1600	1.00	0.98	0.99
	LOW	1400	0.98	0.95	0.98
	HIGH	1800	1.02	1.01	1.00
4TXFH054AS3+TUX1D120A9H5	NOMINAL	1600	1.01	0.99	0.99
	LOW	1400	0.99	0.96	0.98
	HIGH	1800	1.03	1.02	1.00
4TXFH054AS3+TUY100R9V4	NOMINAL	1600	1.00	0.97	0.98
	LOW	1400	0.98	0.95	0.97
	HIGH	1800	1.02	1.00	0.99
4TXFH054AS3+TUY120R9V5	NOMINAL	1600	1.00	0.98	0.98
	LOW	1400	0.98	0.95	0.97
	HIGH	1800	1.02	1.01	0.99
4TXFH063AS3	NOMINAL	1600	1.02	1.00	1.02
	LOW	1400	1.00	0.97	1.01
	HIGH	1800	1.04	1.03	1.03
4TXFH063AS3+TDD100R9V5	NOMINAL	1600	1.02	1.01	1.01
	LOW	1400	1.00	0.98	1.00
	HIGH	1800	1.04	1.04	1.02



# Performance Data Cooling

## 4TTB3048A1

**CORRECTION FACTORS FOR OTHER COMBINATIONS (MULTIPLY DATA BY FACTOR)**

INDOOR MODEL		CFM	MBTUH TOT	MBTUH SEN	SYST KW
4TXFH063AS3+TDD120R9V5	NOMINAL	1600	1.03	1.03	1.03
	LOW	1400	1.01	0.99	1.02
	HIGH	1800	1.06	1.06	1.04
4TXFH063AS3+TDD1C100A9H5	NOMINAL	1600	1.04	1.03	1.03
	LOW	1400	1.02	1.00	1.02
	HIGH	1800	1.06	1.06	1.04
4TXFH063AS3+TDD1D120A9H5	NOMINAL	1600	1.03	1.03	1.03
	LOW	1400	1.01	0.99	1.02
	HIGH	1800	1.06	1.06	1.04
4TXFH063AS3+TDX1C100A9H4	NOMINAL	1600	1.02	1.01	1.01
	LOW	1400	1.00	0.98	1.00
	HIGH	1800	1.04	1.04	1.02
4TXFH063AS3+TDX1D120A9H5	NOMINAL	1600	1.03	1.02	1.02
	LOW	1400	1.01	0.99	1.01
	HIGH	1800	1.05	1.05	1.03
4TXFH063AS3+TDY100R9V4	NOMINAL	1600	1.03	1.02	1.01
	LOW	1400	1.01	0.99	1.00
	HIGH	1800	1.06	1.05	1.02
4TXFH063AS3+TDY120R9V5	NOMINAL	1600	1.04	1.02	1.01
	LOW	1400	1.02	0.99	1.00
	HIGH	1800	1.06	1.05	1.02
4TXFH063AS3+TUD080R9V4	NOMINAL	1600	1.03	1.02	1.02
	LOW	1400	1.01	0.99	1.01
	HIGH	1800	1.05	1.05	1.03
4TXFH063AS3+TUD100R9V5	NOMINAL	1600	1.03	1.02	1.02
	LOW	1400	1.01	0.99	1.01
	HIGH	1800	1.05	1.05	1.03
4TXFH063AS3+TUD120R9V5	NOMINAL	1600	1.03	1.03	1.03
	LOW	1400	1.01	0.99	1.02
	HIGH	1800	1.06	1.06	1.04
4TXFH063AS3+TUD140R9V5	NOMINAL	1600	1.03	1.02	1.02
	LOW	1400	1.01	0.99	1.01
	HIGH	1800	1.05	1.05	1.03
4TXFH063AS3+TUD1C080A9H4	NOMINAL	1600	1.03	1.03	1.02
	LOW	1400	1.01	0.99	1.01
	HIGH	1800	1.05	1.06	1.03
4TXFH063AS3+TUD1C100A9H5	NOMINAL	1600	1.03	1.03	1.02
	LOW	1400	1.01	0.99	1.01
	HIGH	1800	1.06	1.06	1.03
4TXFH063AS3+TUD1D120A9H5	NOMINAL	1600	1.03	1.03	1.02
	LOW	1400	1.01	0.99	1.01
	HIGH	1800	1.05	1.06	1.03
4TXFH063AS3+TUD1D140A9H5	NOMINAL	1600	1.03	1.03	1.03
	LOW	1400	1.01	0.99	1.02
	HIGH	1800	1.05	1.06	1.04
4TXFH063AS3+TUX1C100A9H4	NOMINAL	1600	1.03	1.02	1.02
	LOW	1400	1.01	0.99	1.01
	HIGH	1800	1.05	1.05	1.03
4TXFH063AS3+TUX1D120A9H5	NOMINAL	1600	1.03	1.02	1.02
	LOW	1400	1.01	0.99	1.01
	HIGH	1800	1.05	1.05	1.03
4TXFH063AS3+TUY100R9V4	NOMINAL	1600	1.04	1.02	1.01
	LOW	1400	1.02	0.99	1.00
	HIGH	1800	1.06	1.05	1.02
4TXFH063AS3+TUY120R9V5	NOMINAL	1600	1.04	1.02	1.01
	LOW	1400	1.02	0.99	1.00
	HIGH	1800	1.06	1.05	1.02
RXC054S3	NOMINAL	1600	0.97	0.97	0.98
	LOW	1400	0.95	0.95	0.97
	HIGH	1800	0.99	1.00	0.99
RXC054S3+TDD100R9V5	NOMINAL	1600	0.97	0.97	0.96
	LOW	1400	0.95	0.94	0.95
	HIGH	1800	0.99	1.00	0.97

**CORRECTION FACTORS FOR OTHER COMBINATIONS (MULTIPLY DATA BY FACTOR)**

INDOOR MODEL		CFM	MBTUH TOT	MBTUH SEN	SYST KW
RXC054S3+TDY100R9V4	NOMINAL	1600	0.98	0.97	0.97
	LOW	1400	0.96	0.95	0.96
	HIGH	1800	1.00	1.00	0.98
RXC054S3+TUD080R9V4	NOMINAL	1600	0.97	0.97	0.96
	LOW	1400	0.95	0.95	0.95
	HIGH	1800	0.99	1.00	0.97
RXC054S3+TUD100R9V5	NOMINAL	1600	0.97	0.97	0.96
	LOW	1400	0.95	0.94	0.95
	HIGH	1800	0.99	1.00	0.97
RXC054S3+TUD1C080A9H4	NOMINAL	1600	0.98	0.99	0.97
	LOW	1400	0.96	0.96	0.96
	HIGH	1800	1.00	1.02	0.98
RXC054S3+TUD1C100A9H5	NOMINAL	1600	0.98	0.98	0.96
	LOW	1400	0.96	0.95	0.95
	HIGH	1800	1.00	1.01	0.97
RXC054S3+TUX1C100A9H4	NOMINAL	1600	0.98	0.98	0.96
	LOW	1400	0.96	0.95	0.95
	HIGH	1800	1.00	1.01	0.97
RXC054S3+TUY100R9V4	NOMINAL	1600	0.98	0.97	0.96
	LOW	1400	0.96	0.95	0.95
	HIGH	1800	1.00	1.00	0.97
RXC060S3	NOMINAL	1600	0.97	0.98	0.98
	LOW	1400	0.95	0.95	0.97
	HIGH	1800	0.99	1.01	0.99
RXC061S3	NOMINAL	1600	0.98	0.99	0.99
	LOW	1400	0.96	0.96	0.98
	HIGH	1800	1.00	1.02	1.00
RXC065S3	NOMINAL	1600	0.98	0.99	0.99
	LOW	1400	0.96	0.96	0.98
	HIGH	1800	1.00	1.02	1.00
RXC065S3+TUD100R9V5	NOMINAL	1600	0.99	1.00	0.98
	LOW	1400	0.97	0.97	0.97
	HIGH	1800	1.01	1.03	0.99
RXC065S3+TUD120R9V5	NOMINAL	1600	0.99	1.01	0.98
	LOW	1400	0.97	0.98	0.97
	HIGH	1800	1.01	1.04	0.99
RXC065S3+TUD140R9V5	NOMINAL	1600	0.99	1.01	0.98
	LOW	1400	0.97	0.98	0.97
	HIGH	1800	1.01	1.04	0.99
RXC065S3+TUD1C100A9H5	NOMINAL	1600	0.98	1.00	0.98
	LOW	1400	0.96	0.97	0.97
	HIGH	1800	1.00	1.03	0.99
RXC065S3+TUD1D120A9H5	NOMINAL	1600	1.00	1.02	0.99
	LOW	1400	0.98	0.99	0.98
	HIGH	1800	1.02	1.05	1.00
RXC065S3+TUD1D140A9H5	NOMINAL	1600	0.99	1.01	0.98
	LOW	1400	0.97	0.98	0.97
	HIGH	1800	1.01	1.04	0.99
RXC065S3+TUX1D120A9H5	NOMINAL	1600	1.00	1.01	0.99
	LOW	1400	0.98	0.98	0.98
	HIGH	1800	1.02	1.04	1.00
RXC065S3+TUY120R9V5	NOMINAL	1600	1.00	1.01	0.98
	LOW	1400	0.98	0.98	0.97
	HIGH	1800	1.02	1.04	0.99
RXH063S3	NOMINAL	1600	1.02	1.00	1.02
	LOW	1400	1.00	0.97	1.01
	HIGH	1800	1.04	1.03	1.03
RXH063S3+TDD100R9V5	NOMINAL	1600	1.02	1.01	1.01
	LOW	1400	1.00	0.98	1.00
	HIGH	1800	1.04	1.04	1.02
RXH063S3+TDD120R9V5	NOMINAL	1600	1.03	1.03	1.03
	LOW	1400	1.01	0.99	1.02
	HIGH	1800	1.06	1.06	1.04



# Performance Data Cooling

## 4TTB3048A1

**CORRECTION FACTORS FOR OTHER COMBINATIONS (MULTIPLY DATA BY FACTOR)**

INDOOR MODEL		CFM	MBTUH TOT	MBTUH SEN	SYST KW
RXH063S3+TDD1C100A9H5	NOMINAL	1600	1.04	1.03	1.03
	LOW	1400	1.02	1.00	1.02
	HIGH	1800	1.06	1.06	1.04
RXH063S3+TDD1D120A9H5	NOMINAL	1600	1.03	1.03	1.03
	LOW	1400	1.01	0.99	1.02
	HIGH	1800	1.06	1.06	1.04
RXH063S3+TDX1C100A9H4	NOMINAL	1600	1.02	1.01	1.01
	LOW	1400	1.00	0.98	1.00
	HIGH	1800	1.04	1.04	1.02
RXH063S3+TDX1D120A9H5	NOMINAL	1600	1.03	1.03	1.02
	LOW	1400	1.01	0.99	1.01
	HIGH	1800	1.06	1.06	1.03
RXH063S3+TDY100R9V4	NOMINAL	1600	1.03	1.02	1.01
	LOW	1400	1.01	0.99	1.00
	HIGH	1800	1.06	1.05	1.02
RXH063S3+TDY120R9V5	NOMINAL	1600	1.04	1.02	1.01
	LOW	1400	1.02	0.99	1.00
	HIGH	1800	1.06	1.05	1.02
RXH063S3+TUD080R9V4	NOMINAL	1600	1.03	1.02	1.02
	LOW	1400	1.01	0.99	1.01
	HIGH	1800	1.05	1.05	1.03
RXH063S3+TUD100R9V5	NOMINAL	1600	1.02	1.01	1.01
	LOW	1400	1.00	0.98	1.00
	HIGH	1800	1.04	1.04	1.02
RXH063S3+TUD120R9V5	NOMINAL	1600	1.03	1.03	1.02
	LOW	1400	1.01	0.99	1.01
	HIGH	1800	1.06	1.06	1.03

**CORRECTION FACTORS FOR OTHER COMBINATIONS (MULTIPLY DATA BY FACTOR)**

INDOOR MODEL		CFM	MBTUH TOT	MBTUH SEN	SYST KW
RXH063S3+TUD140R9V5	NOMINAL	1600	1.03	1.02	1.02
	LOW	1400	1.01	0.99	1.01
	HIGH	1800	1.05	1.05	1.03
RXH063S3+TUD1C080A9H4	NOMINAL	1600	1.03	1.03	1.02
	LOW	1400	1.01	0.99	1.01
	HIGH	1800	1.05	1.06	1.03
RXH063S3+TUD1C100A9H5	NOMINAL	1600	1.03	1.02	1.02
	LOW	1400	1.01	0.99	1.01
	HIGH	1800	1.05	1.05	1.03
RXH063S3+TUD1D120A9H5	NOMINAL	1600	1.03	1.03	1.02
	LOW	1400	1.01	0.99	1.01
	HIGH	1800	1.05	1.06	1.03
RXH063S3+TUD1D140A9H5	NOMINAL	1600	1.03	1.03	1.03
	LOW	1400	1.01	0.99	1.02
	HIGH	1800	1.06	1.06	1.04
RXH063S3+TUX1C100A9H4	NOMINAL	1600	1.03	1.03	1.02
	LOW	1400	1.01	0.99	1.01
	HIGH	1800	1.05	1.06	1.03
RXH063S3+TUX1D120A9H5	NOMINAL	1600	1.03	1.02	1.02
	LOW	1400	1.01	0.99	1.01
	HIGH	1800	1.05	1.05	1.03
RXH063S3+TUY100R9V4	NOMINAL	1600	1.04	1.02	1.01
	LOW	1400	1.02	0.99	1.00
	HIGH	1800	1.06	1.05	1.02
RXH063S3+TUY120R9V5	NOMINAL	1600	1.04	1.02	1.01
	LOW	1400	1.02	0.99	1.00
	HIGH	1800	1.06	1.05	1.02



# Performance Data Cooling

## 4TTB3060A1

### 4TTB3060A1 WITH 4TXCD061AC3 AT 2000 CFM

O.D. D.B.	I.D. W.B.	TOT. CAP.	SENS. CAP. AT ENTERING D.B. TEMP.				TOTAL KW
			72	75	78	80	
85	59	55.8	45.9	51.6	55.8	55.8	4.78
	63	58.2	37.2	42.9	48.6	52.4	4.81
	67	62.7	29.3	35.0	40.7	44.5	4.89
	71	67.7	21.3	27.1	32.7	36.5	4.93
95	59	53.1	44.7	50.4	53.1	53.1	5.35
	63	55.4	36.1	41.7	47.5	51.3	5.39
	67	59.7	28.1	33.8	39.6	43.4	5.48
	71	64.4	20.2	25.9	31.6	35.4	5.53
105	59	51.8	44.1	49.8	51.8	51.8	5.64
	63	54.0	35.5	41.2	46.9	50.7	5.68
	67	58.1	27.6	33.3	39.0	42.8	5.77
	71	62.8	19.6	25.3	31.1	34.9	5.83
115	59	47.7	42.3	47.7	47.7	47.7	6.51
	63	49.7	33.8	39.5	45.2	49.0	6.55
	67	53.6	25.9	31.6	37.3	41.1	6.66
	71	57.9	18.0	23.7	29.4	33.2	6.72

### CORRECTION FACTORS FOR OTHER AIRFLOWS (MULTIPLY DATA BY FACTOR)

	AIRFLOW	TOTAL CAPACITY	SENSIBLE CAPACITY
LOW	1750	0.98	0.98
HIGH	2250	1.02	1.02

NOTE: ALL TABLES ABOVE ARE AT ARI RATING CONDITIONS RATED WITH 25 FEET OF REFRIGERANT LINES.  
 \* DRY COIL CONDITION (TOTAL CAPACITY = SENSIBLE CAPACITY)  
 TOTAL CAPACITY, COMP. KW AND APP. DEW PT. ARE VALID ONLY FOR WET COIL. ALL TEMPERATURES IN DEGREES F.

### CORRECTION FACTORS FOR OTHER COMBINATIONS (MULTIPLY DATA BY FACTOR)

INDOOR MODEL		CFM	MBTUH TOT	MBTUH SEN	SYST KW
2TEH3F60A1+4AYTXVH-3	NOMINAL	2000	0.99	0.99	0.96
	LOW	1750	0.97	0.96	0.95
	HIGH	2250	1.01	1.02	0.97
4CXAC060AC3+TDD100R9V5	NOMINAL	2000	0.99	0.98	0.98
	LOW	1750	0.97	0.95	0.97
	HIGH	2250	1.01	1.01	0.99
4CXAC060AC3+TDD120R9V5	NOMINAL	2000	1.00	0.99	0.98
	LOW	1750	0.98	0.96	0.97
	HIGH	2250	1.02	1.02	0.99
4CXAC060AC3+TDD1C100A9H5	NOMINAL	2000	1.00	0.99	0.97
	LOW	1750	0.98	0.96	0.96
	HIGH	2250	1.02	1.02	0.98
4CXAC060AC3+TDD1D120A9H5	NOMINAL	2000	1.01	0.99	0.96
	LOW	1750	0.99	0.96	0.95
	HIGH	2250	1.03	1.02	0.97
4CXAC060AC3+TDX1D120A9H5	NOMINAL	2000	1.00	0.98	0.98
	LOW	1750	0.98	0.95	0.97
	HIGH	2250	1.02	1.01	0.99
4CXAC060AC3+TUD120R9V5	NOMINAL	2000	1.00	0.99	0.98
	LOW	1750	0.98	0.96	0.97
	HIGH	2250	1.02	1.02	0.99
4CXAC060AC3+TUD140R9V5	NOMINAL	2000	1.00	0.98	0.97
	LOW	1750	0.98	0.95	0.96
	HIGH	2250	1.02	1.01	0.98
4CXAC060AC3+TUD1C100A9H5	NOMINAL	2000	1.00	0.99	0.99
	LOW	1750	0.98	0.96	0.98
	HIGH	2250	1.02	1.02	1.00
4CXAC060AC3+TUD1D120A9H5	NOMINAL	2000	1.00	0.99	0.96
	LOW	1750	0.98	0.96	0.95
	HIGH	2250	1.02	1.02	0.97
4CXAC060AC3+TUD1D140A9H5	NOMINAL	2000	1.00	0.99	0.96
	LOW	1750	0.98	0.96	0.95
	HIGH	2250	1.02	1.02	0.97

### CORRECTION FACTORS FOR OTHER COMBINATIONS (MULTIPLY DATA BY FACTOR)

INDOOR MODEL		CFM	MBTUH TOT	MBTUH SEN	SYST KW
4CXAC060AC3+TUX1D120A9H5	NOMINAL	2000	1.00	0.99	0.96
	LOW	1750	0.98	0.96	0.95
	HIGH	2250	1.02	1.02	0.97
4CXAD061AC3+TDD100R9V5	NOMINAL	2000	1.00	0.99	0.99
	LOW	1750	0.98	0.96	0.98
	HIGH	2250	1.02	1.02	1.00
4CXAD061AC3+TDD120R9V5	NOMINAL	2000	1.00	0.99	0.96
	LOW	1750	0.98	0.96	0.95
	HIGH	2250	1.02	1.02	0.97
4CXAD061AC3+TDD1C100A9H5	NOMINAL	2000	1.00	0.99	0.96
	LOW	1750	0.98	0.96	0.95
	HIGH	2250	1.02	1.02	0.97
4CXAD061AC3+TDD1D120A9H5	NOMINAL	2000	1.00	0.99	0.96
	LOW	1750	0.98	0.96	0.95
	HIGH	2250	1.02	1.02	0.97
4CXAD061AC3+TDX1D120A9H5	NOMINAL	2000	1.00	0.99	0.98
	LOW	1750	0.98	0.96	0.97
	HIGH	2250	1.02	1.02	0.99
4CXAD061AC3+TUD100R9V5	NOMINAL	2000	1.00	0.99	0.99
	LOW	1750	0.98	0.96	0.98
	HIGH	2250	1.02	1.02	1.00
4CXAD061AC3+TUD120R9V5	NOMINAL	2000	1.00	0.99	0.98
	LOW	1750	0.98	0.96	0.97
	HIGH	2250	1.02	1.02	0.99
4CXAD061AC3+TUD140R9V5	NOMINAL	2000	1.00	0.98	0.97
	LOW	1750	0.98	0.95	0.96
	HIGH	2250	1.02	1.01	0.98
4CXAD061AC3+TUD1C100A9H5	NOMINAL	2000	0.99	0.98	0.99
	LOW	1750	0.97	0.95	0.98
	HIGH	2250	1.01	1.01	1.00
4CXAD061AC3+TUD1D120A9H5	NOMINAL	2000	1.01	1.00	0.97
	LOW	1750	0.99	0.97	0.96
	HIGH	2250	1.03	1.03	0.98
4CXAD061AC3+TUD1D140A9H5	NOMINAL	2000	1.00	0.99	0.96
	LOW	1750	0.98	0.96	0.95
	HIGH	2250	1.02	1.02	0.97
4CXAD061AC3+TUX1D120A9H5	NOMINAL	2000	1.00	1.00	0.97
	LOW	1750	0.98	0.97	0.96
	HIGH	2250	1.02	1.03	0.98
4CXCC060AC3+TDD100R9V5	NOMINAL	2000	0.99	0.98	0.98
	LOW	1750	0.97	0.95	0.97
	HIGH	2250	1.01	1.01	0.99
4CXCC060AC3+TDD120R9V5	NOMINAL	2000	1.00	0.99	0.98
	LOW	1750	0.98	0.96	0.97
	HIGH	2250	1.02	1.02	0.99
4CXCC060AC3+TDD1C100A9H5	NOMINAL	2000	1.00	0.99	0.97
	LOW	1750	0.98	0.96	0.96
	HIGH	2250	1.02	1.02	0.98
4CXCC060AC3+TDD1D120A9H5	NOMINAL	2000	1.01	0.99	0.96
	LOW	1750	0.99	0.96	0.95
	HIGH	2250	1.03	1.02	0.97
4CXCC060AC3+TDX1D120A9H5	NOMINAL	2000	1.00	0.98	0.98
	LOW	1750	0.98	0.95	0.97
	HIGH	2250	1.02	1.01	0.99
4CXCC060AC3+TUD120R9V5	NOMINAL	2000	1.00	0.99	0.98
	LOW	1750	0.98	0.96	0.97
	HIGH	2250	1.02	1.02	0.99
4CXCC060AC3+TUD140R9V5	NOMINAL	2000	1.00	0.98	0.97
	LOW	1750	0.98	0.95	0.96
	HIGH	2250	1.02	1.01	0.98
4CXCC060AC3+TUD1C100A9H5	NOMINAL	2000	1.00	0.99	0.99
	LOW	1750	0.98	0.96	0.98
	HIGH	2250	1.02	1.02	1.00



# Performance Data Cooling

## 4TTB3060A1

**CORRECTION FACTORS FOR OTHER COMBINATIONS (MULTIPLY DATA BY FACTOR)**

INDOOR MODEL		CFM	MBTUH TOT	MBTUH SEN	SYST KW
4CXCC060AC3+TUD1D120A9H5	NOMINAL	2000	1.00	0.99	0.96
	LOW	1750	0.98	0.96	0.95
	HIGH	2250	1.02	1.02	0.97
4CXCC060AC3+TUD1D140A9H5	NOMINAL	2000	1.00	0.99	0.96
	LOW	1750	0.98	0.96	0.95
	HIGH	2250	1.02	1.02	0.97
4CXCC060AC3+TUX1D120A9H5	NOMINAL	2000	1.00	0.99	0.96
	LOW	1750	0.98	0.96	0.95
	HIGH	2250	1.02	1.02	0.97
4CXCD061AC3+TDD100R9V5	NOMINAL	2000	1.00	0.99	0.99
	LOW	1750	0.98	0.96	0.98
	HIGH	2250	1.02	1.02	1.00
4CXCD061AC3+TDD120R9V5	NOMINAL	2000	1.00	0.99	0.96
	LOW	1750	0.98	0.96	0.95
	HIGH	2250	1.02	1.02	0.97
4CXCD061AC3+TDD1C100A9H5	NOMINAL	2000	1.00	0.99	0.96
	LOW	1750	0.98	0.96	0.95
	HIGH	2250	1.02	1.02	0.97
4CXCD061AC3+TDD1D120A9H5	NOMINAL	2000	1.00	0.99	0.96
	LOW	1750	0.98	0.96	0.95
	HIGH	2250	1.02	1.02	0.97
4CXCD061AC3+TDX1D120A9H5	NOMINAL	2000	1.00	0.99	0.98
	LOW	1750	0.98	0.96	0.97
	HIGH	2250	1.02	1.02	0.99
4CXCD061AC3+TUD100R9V5	NOMINAL	2000	1.00	0.99	0.99
	LOW	1750	0.98	0.96	0.98
	HIGH	2250	1.02	1.02	1.00
4CXCD061AC3+TUD120R9V5	NOMINAL	2000	1.00	0.99	0.98
	LOW	1750	0.98	0.96	0.97
	HIGH	2250	1.02	1.02	0.99
4CXCD061AC3+TUD140R9V5	NOMINAL	2000	1.00	0.98	0.97
	LOW	1750	0.98	0.95	0.96
	HIGH	2250	1.02	1.01	0.98
4CXCD061AC3+TUD1C100A9H5	NOMINAL	2000	0.99	0.98	0.99
	LOW	1750	0.97	0.95	0.98
	HIGH	2250	1.01	1.01	1.00
4CXCD061AC3+TUD1D120A9H5	NOMINAL	2000	1.01	1.00	0.97
	LOW	1750	0.99	0.97	0.96
	HIGH	2250	1.03	1.03	0.98
4CXCD061AC3+TUD1D140A9H5	NOMINAL	2000	1.00	0.99	0.96
	LOW	1750	0.98	0.96	0.95
	HIGH	2250	1.02	1.02	0.97
4CXCD061AC3+TUX1D120A9H5	NOMINAL	2000	1.00	1.00	0.97
	LOW	1750	0.98	0.97	0.96
	HIGH	2250	1.02	1.03	0.98
4TEC3F60A1	NOMINAL	2000	1.00	0.99	0.97
	LOW	1750	0.98	0.96	0.96
	HIGH	2250	1.02	1.02	0.98
4TEE3F65A1	NOMINAL	2000	1.01	0.98	0.98
	LOW	1750	0.99	0.95	0.97
	HIGH	2250	1.03	1.01	0.99
4TXCC060AC3+TDD100R9V5	NOMINAL	2000	0.99	0.98	0.98
	LOW	1750	0.97	0.95	0.97
	HIGH	2250	1.01	1.01	0.99
4TXCC060AC3+TDD120R9V5	NOMINAL	2000	1.00	0.99	0.98
	LOW	1750	0.98	0.96	0.97
	HIGH	2250	1.02	1.02	0.99
4TXCC060AC3+TDD1C100A9H5	NOMINAL	2000	1.00	0.99	0.97
	LOW	1750	0.98	0.96	0.96
	HIGH	2250	1.02	1.02	0.98
4TXCC060AC3+TDD1D120A9H5	NOMINAL	2000	1.01	0.99	0.96
	LOW	1750	0.99	0.96	0.95
	HIGH	2250	1.03	1.02	0.97

**CORRECTION FACTORS FOR OTHER COMBINATIONS (MULTIPLY DATA BY FACTOR)**

INDOOR MODEL		CFM	MBTUH TOT	MBTUH SEN	SYST KW
4TXCC060AC3+TDX1D120A9H5	NOMINAL	2000	1.00	0.98	0.98
	LOW	1750	0.98	0.95	0.97
	HIGH	2250	1.02	1.01	0.99
4TXCC060AC3+TUD120R9V5	NOMINAL	2000	1.00	0.99	0.98
	LOW	1750	0.98	0.96	0.97
	HIGH	2250	1.02	1.02	0.99
4TXCC060AC3+TUD140R9V5	NOMINAL	2000	1.00	0.98	0.97
	LOW	1750	0.98	0.95	0.96
	HIGH	2250	1.02	1.01	0.98
4TXCC060AC3+TUD1C100A9H5	NOMINAL	2000	1.00	0.99	0.99
	LOW	1750	0.98	0.96	0.98
	HIGH	2250	1.02	1.02	1.00
4TXCC060AC3+TUD1D120A9H5	NOMINAL	2000	1.00	0.99	0.96
	LOW	1750	0.98	0.96	0.95
	HIGH	2250	1.02	1.02	0.97
4TXCC060AC3+TUD1D140A9H5	NOMINAL	2000	1.00	0.99	0.96
	LOW	1750	0.98	0.96	0.95
	HIGH	2250	1.02	1.02	0.97
4TXCC060AC3+TUX1D120A9H5	NOMINAL	2000	1.00	0.99	0.96
	LOW	1750	0.98	0.96	0.95
	HIGH	2250	1.02	1.02	0.97
4TXCD061AC3+TDD100R9V5	NOMINAL	2000	1.00	0.99	0.99
	LOW	1750	0.98	0.96	0.98
	HIGH	2250	1.02	1.02	1.00
4TXCD061AC3+TDD120R9V5	NOMINAL	2000	1.00	0.99	0.96
	LOW	1750	0.98	0.96	0.95
	HIGH	2250	1.02	1.02	0.97
4TXCD061AC3+TDD1C100A9H5	NOMINAL	2000	1.00	0.99	0.96
	LOW	1750	0.98	0.96	0.95
	HIGH	2250	1.02	1.02	0.97
4TXCD061AC3+TDD1D120A9H5	NOMINAL	2000	1.00	0.99	0.96
	LOW	1750	0.98	0.96	0.95
	HIGH	2250	1.02	1.02	0.97
4TXCD061AC3+TDX1D120A9H5	NOMINAL	2000	1.00	0.99	0.98
	LOW	1750	0.98	0.96	0.97
	HIGH	2250	1.02	1.02	0.99
4TXCD061AC3+TUD100R9V5	NOMINAL	2000	1.00	0.99	0.99
	LOW	1750	0.98	0.96	0.98
	HIGH	2250	1.02	1.02	1.00
4TXCD061AC3+TUD120R9V5	NOMINAL	2000	1.00	0.99	0.98
	LOW	1750	0.98	0.96	0.97
	HIGH	2250	1.02	1.02	0.99
4TXCD061AC3+TUD140R9V5	NOMINAL	2000	1.00	0.98	0.97
	LOW	1750	0.98	0.95	0.96
	HIGH	2250	1.02	1.01	0.98
4TXCD061AC3+TUD1C100A9H5	NOMINAL	2000	0.99	0.98	0.99
	LOW	1750	0.97	0.95	0.98
	HIGH	2250	1.01	1.01	1.00
4TXCD061AC3+TUD1D120A9H5	NOMINAL	2000	1.01	1.00	0.97
	LOW	1750	0.99	0.97	0.96
	HIGH	2250	1.03	1.03	0.98
4TXCD061AC3+TUD1D140A9H5	NOMINAL	2000	1.00	0.99	0.96
	LOW	1750	0.98	0.96	0.95
	HIGH	2250	1.02	1.02	0.97
4TXCD061AC3+TUX1D120A9H5	NOMINAL	2000	1.00	1.00	0.97
	LOW	1750	0.98	0.97	0.96
	HIGH	2250	1.02	1.03	0.98
4TXCD065AS3+TUD100R9V5	NOMINAL	2000	1.00	1.01	0.99
	LOW	1750	0.98	0.98	0.98
	HIGH	2250	1.02	1.04	1.00
4TXCD065AS3+TUD1C100A9H5	NOMINAL	2000	1.00	1.01	0.99
	LOW	1750	0.98	0.98	0.98
	HIGH	2250	1.02	1.04	1.00



# Performance Data Cooling

## 4TTB3060A1

**CORRECTION FACTORS FOR OTHER COMBINATIONS (MULTIPLY DATA BY FACTOR)**

INDOOR MODEL		CFM	MBTUH TOT	MBTUH SEN	SYST KW
4TXFH054AS3+TDD100R9V5	NOMINAL	2000	1.02	0.96	1.00
	LOW	1750	1.00	0.94	0.99
	HIGH	2250	1.04	0.99	1.01
4TXFH054AS3+TDD120R9V5	NOMINAL	2000	1.02	0.96	0.98
	LOW	1750	1.00	0.94	0.97
	HIGH	2250	1.04	0.99	0.99
4TXFH054AS3+TDD1C100A9H5	NOMINAL	2000	1.03	0.97	0.98
	LOW	1750	1.01	0.94	0.97
	HIGH	2250	1.05	1.00	0.99
4TXFH054AS3+TDD1D120A9H5	NOMINAL	2000	1.02	0.97	0.98
	LOW	1750	1.00	0.94	0.97
	HIGH	2250	1.04	1.00	0.99
4TXFH054AS3+TDX1D120A9H5	NOMINAL	2000	1.01	0.96	0.99
	LOW	1750	0.99	0.93	0.98
	HIGH	2250	1.03	0.99	1.00
4TXFH054AS3+TUD100R9V5	NOMINAL	2000	1.01	0.96	1.00
	LOW	1750	0.99	0.93	0.99
	HIGH	2250	1.03	0.99	1.01
4TXFH054AS3+TUD120R9V5	NOMINAL	2000	1.02	0.96	0.98
	LOW	1750	1.00	0.94	0.97
	HIGH	2250	1.04	0.99	0.99
4TXFH054AS3+TUD140R9V5	NOMINAL	2000	1.02	0.96	0.97
	LOW	1750	1.00	0.93	0.96
	HIGH	2250	1.04	0.99	0.98
4TXFH054AS3+TUD1C100A9H5	NOMINAL	2000	1.02	0.96	1.00
	LOW	1750	1.00	0.93	0.99
	HIGH	2250	1.04	0.99	1.01
4TXFH054AS3+TUD1D120A9H5	NOMINAL	2000	1.02	0.97	0.98
	LOW	1750	1.00	0.94	0.97
	HIGH	2250	1.04	1.00	0.99
4TXFH054AS3+TUD1D140A9H5	NOMINAL	2000	1.02	0.97	0.98
	LOW	1750	1.00	0.94	0.97
	HIGH	2250	1.04	1.00	0.99
4TXFH054AS3+TUX1D120A9H5	NOMINAL	2000	1.02	0.96	0.98
	LOW	1750	1.00	0.94	0.97
	HIGH	2250	1.04	0.99	0.99
4TXFH063AS3	NOMINAL	2000	1.04	1.00	1.01
	LOW	1750	1.02	0.97	1.00
	HIGH	2250	1.06	1.03	1.02
4TXFH063AS3+TDD100R9V5	NOMINAL	2000	1.05	1.01	0.99
	LOW	1750	1.03	0.98	0.98
	HIGH	2250	1.07	1.04	1.00
4TXFH063AS3+TDD120R9V5	NOMINAL	2000	1.05	1.01	0.99
	LOW	1750	1.03	0.98	0.98
	HIGH	2250	1.07	1.04	1.00
4TXFH063AS3+TDD1C100A9H5	NOMINAL	2000	1.05	1.01	0.99
	LOW	1750	1.03	0.98	0.98
	HIGH	2250	1.07	1.04	1.00
4TXFH063AS3+TDD1D120A9H5	NOMINAL	2000	1.05	1.02	1.00
	LOW	1750	1.03	0.99	0.99
	HIGH	2250	1.08	1.05	1.01
4TXFH063AS3+TDX1D120A9H5	NOMINAL	2000	1.05	1.01	0.99
	LOW	1750	1.03	0.98	0.98
	HIGH	2250	1.07	1.04	1.00
4TXFH063AS3+TDY120R9V5	NOMINAL	2000	1.04	1.00	1.02
	LOW	1750	1.02	0.97	1.01
	HIGH	2250	1.06	1.03	1.03
4TXFH063AS3+TUD100R9V5	NOMINAL	2000	1.04	1.01	1.01
	LOW	1750	1.02	0.98	1.00
	HIGH	2250	1.06	1.04	1.02
4TXFH063AS3+TUD120R9V5	NOMINAL	2000	1.05	1.01	0.99
	LOW	1750	1.03	0.98	0.98
	HIGH	2250	1.07	1.04	1.00

**CORRECTION FACTORS FOR OTHER COMBINATIONS (MULTIPLY DATA BY FACTOR)**

INDOOR MODEL		CFM	MBTUH TOT	MBTUH SEN	SYST KW
4TXFH063AS3+TUD140R9V5	NOMINAL	2000	1.05	1.01	0.99
	LOW	1750	1.03	0.98	0.98
	HIGH	2250	1.07	1.04	1.00
4TXFH063AS3+TUD1C100A9H5	NOMINAL	2000	1.05	1.01	1.01
	LOW	1750	1.03	0.98	1.00
	HIGH	2250	1.07	1.04	1.02
4TXFH063AS3+TUD1D120A9H5	NOMINAL	2000	1.05	1.02	1.00
	LOW	1750	1.03	0.99	0.99
	HIGH	2250	1.08	1.05	1.01
4TXFH063AS3+TUD1D140A9H5	NOMINAL	2000	1.05	1.01	0.99
	LOW	1750	1.03	0.98	0.98
	HIGH	2250	1.07	1.04	1.00
4TXFH063AS3+TUX1D120A9H5	NOMINAL	2000	1.05	1.02	1.00
	LOW	1750	1.03	0.99	0.99
	HIGH	2250	1.07	1.05	1.01
4TXFH063AS3+TUY120R9V5	NOMINAL	2000	1.04	1.01	1.01
	LOW	1750	1.02	0.98	1.00
	HIGH	2250	1.06	1.04	1.02
RXC054S3+TUD1C080A9H4	NOMINAL	2000	0.99	0.96	0.96
	LOW	1750	0.97	0.94	0.95
	HIGH	2250	1.01	0.99	0.97
RXC054S3+TUD1C100A9H5	NOMINAL	2000	0.99	0.96	0.97
	LOW	1750	0.97	0.94	0.96
	HIGH	2250	1.01	0.99	0.98
RXC054S3+TUX1C100A9H4	NOMINAL	2000	0.98	0.96	0.97
	LOW	1750	0.96	0.94	0.96
	HIGH	2250	1.00	0.99	0.98
RXC065S3+TUD100R9V5	NOMINAL	2000	1.00	1.00	0.99
	LOW	1750	0.98	0.97	0.98
	HIGH	2250	1.02	1.03	1.00
RXC065S3+TUD120R9V5	NOMINAL	2000	1.01	1.00	0.97
	LOW	1750	0.99	0.97	0.96
	HIGH	2250	1.03	1.03	0.98
RXC065S3+TUD140R9V5	NOMINAL	2000	1.01	1.01	0.97
	LOW	1750	0.99	0.98	0.96
	HIGH	2250	1.03	1.04	0.98
RXC065S3+TUD1C100A9H5	NOMINAL	2000	1.00	1.00	0.99
	LOW	1750	0.98	0.97	0.98
	HIGH	2250	1.02	1.03	1.00
RXC065S3+TUD1D120A9H5	NOMINAL	2000	1.02	1.01	0.98
	LOW	1750	1.00	0.98	0.97
	HIGH	2250	1.04	1.04	0.99
RXC065S3+TUD1D140A9H5	NOMINAL	2000	1.01	1.00	0.97
	LOW	1750	0.99	0.97	0.96
	HIGH	2250	1.03	1.03	0.98
RXC065S3+TUX1D120A9H5	NOMINAL	2000	1.01	1.01	0.98
	LOW	1750	0.99	0.98	0.97
	HIGH	2250	1.03	1.04	0.99
RXH063S3	NOMINAL	2000	1.04	1.00	1.01
	LOW	1750	1.02	0.97	1.00
	HIGH	2250	1.06	1.03	1.02
RXH063S3+TDD100R9V5	NOMINAL	2000	1.05	1.01	1.01
	LOW	1750	1.03	0.98	1.00
	HIGH	2250	1.07	1.04	1.02
RXH063S3+TDD120R9V5	NOMINAL	2000	1.05	1.01	0.99
	LOW	1750	1.03	0.98	0.98
	HIGH	2250	1.07	1.04	1.00
RXH063S3+TDD1C100A9H5	NOMINAL	2000	1.05	1.01	0.99
	LOW	1750	1.03	0.98	0.98
	HIGH	2250	1.07	1.04	1.00
RXH063S3+TDD1D120A9H5	NOMINAL	2000	1.05	1.01	0.99
	LOW	1750	1.03	0.98	0.98
	HIGH	2250	1.07	1.04	1.00



# Performance Data Cooling

## 4TTB3060A1

**CORRECTION FACTORS FOR OTHER COMBINATIONS (MULTIPLY DATA BY FACTOR)**

INDOOR MODEL		CFM	MBTUH TOT	MBTUH SEN	SYST KW
RXH063S3+TDX1C100A9H4	NOMINAL	2000	1.05	1.01	1.01
	LOW	1750	1.03	0.98	1.00
	HIGH	2250	1.07	1.04	1.02
RXH063S3+TDX1D120A9H5	NOMINAL	2000	1.05	1.01	0.99
	LOW	1750	1.03	0.98	0.98
	HIGH	2250	1.07	1.04	1.00
RXH063S3+TDY120R9V5	NOMINAL	2000	1.04	1.00	1.02
	LOW	1750	1.02	0.97	1.01
	HIGH	2250	1.06	1.03	1.03
RXH063S3+TUD080R9V4	NOMINAL	2000	1.04	1.00	1.00
	LOW	1750	1.02	0.97	0.99
	HIGH	2250	1.06	1.03	1.01
RXH063S3+TUD100R9V5	NOMINAL	2000	1.04	1.01	1.01
	LOW	1750	1.02	0.98	1.00
	HIGH	2250	1.06	1.04	1.02
RXH063S3+TUD120R9V5	NOMINAL	2000	1.05	1.01	0.99
	LOW	1750	1.03	0.98	0.98
	HIGH	2250	1.07	1.04	1.00
RXH063S3+TUD140R9V5	NOMINAL	2000	1.05	1.01	0.99
	LOW	1750	1.03	0.98	0.98
	HIGH	2250	1.07	1.04	1.00
RXH063S3+TUD1C080A9H4	NOMINAL	2000	1.05	1.01	0.99
	LOW	1750	1.03	0.98	0.98
	HIGH	2250	1.07	1.04	1.00

**CORRECTION FACTORS FOR OTHER COMBINATIONS (MULTIPLY DATA BY FACTOR)**

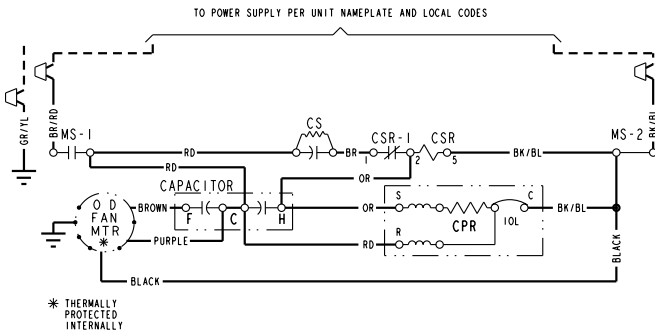
INDOOR MODEL		CFM	MBTUH TOT	MBTUH SEN	SYST KW
RXH063S3+TUD1C100A9H5	NOMINAL	2000	1.04	1.00	1.01
	LOW	1750	1.02	0.97	1.00
	HIGH	2250	1.06	1.03	1.02
RXH063S3+TUD1D120A9H5	NOMINAL	2000	1.05	1.02	1.00
	LOW	1750	1.03	0.99	0.99
	HIGH	2250	1.08	1.05	1.01
RXH063S3+TUD1D140A9H5	NOMINAL	2000	1.05	1.01	0.99
	LOW	1750	1.03	0.98	0.98
	HIGH	2250	1.07	1.04	1.00
RXH063S3+TUX1C100A9H4	NOMINAL	2000	1.05	1.01	0.99
	LOW	1750	1.03	0.98	0.98
	HIGH	2250	1.07	1.04	1.00
RXH063S3+TUX1D120A9H5	NOMINAL	2000	1.05	1.02	1.00
	LOW	1750	1.03	0.99	0.99
	HIGH	2250	1.07	1.05	1.01
RXH063S3+TUY100R9V4	NOMINAL	2000	1.04	1.00	1.02
	LOW	1750	1.01	0.97	1.01
	HIGH	2250	1.06	1.03	1.03
RXH063S3+TUY120R9V5	NOMINAL	2000	1.04	1.00	1.01
	LOW	1750	1.02	0.97	1.00
	HIGH	2250	1.06	1.03	1.02

# Electrical Data

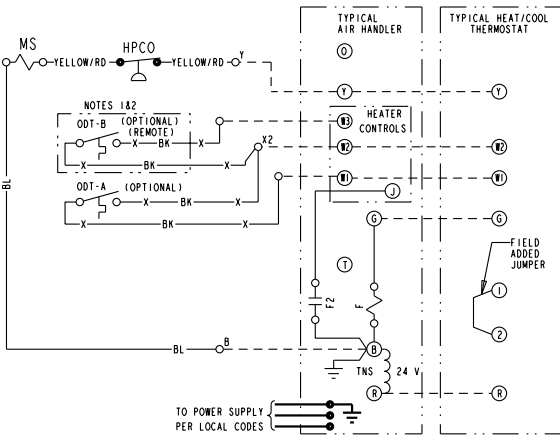
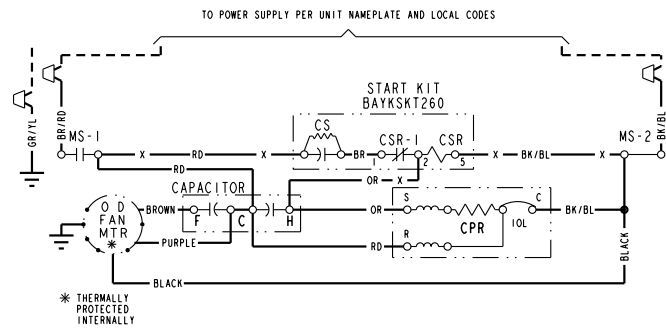
## SCHEMATIC DIAGRAMS

(SEE LEGEND)

### 4TTB3018,024,030A



### 4TTB3036,042A



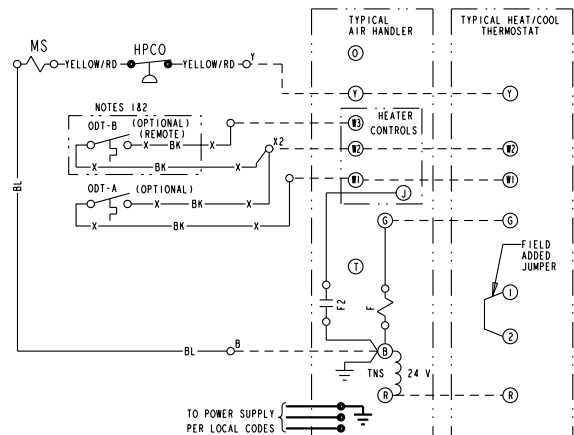
**NOTES:**

- IF ODT-B IS NOT USED, ADD JUMPER BETWEEN W2 & W3 AT AIR HANDLER.  
IF USED, ODT-B MUST BE MOUNTED REMOTE OF CONTROL BOX IN AN APPROVED WEATHER PROOF ENCLOSURE.
- IF ODT-A IS NOT USED, ADD JUMPER BETWEEN W1 & W2 AT AIR HANDLER.
- LOW VOLTAGE (24 V.) FIELD WIRING MUST BE 18 AWG MIN.

<p><b>⚠ WARNING</b> HAZARDOUS VOLTAGE! DISCONNECT ALL ELECTRIC POWER INCLUDING REMOTE DISCONNECTS BEFORE SERVICING. FAILURE TO DISCONNECT POWER BEFORE SERVICING CAN CAUSE SEVERE PERSONAL INJURY OR DEATH!</p>	<p><b>⚠ CAUTION</b> USE COPPER CONDUCTORS ONLY! UNIT TERMINALS ARE NOT DESIGNED TO ACCEPT OTHER TYPES OF CONDUCTORS. FAILURE TO DO SO MAY CAUSE DAMAGE TO THE EQUIPMENT!</p>
-----------------------------------------------------------------------------------------------------------------------------------------------------------------------------------------------------------------------------	------------------------------------------------------------------------------------------------------------------------------------------------------------------------------------------

FOR CANADIAN INSTALLATIONS  
POUR INSTALLATIONS CANADIENNES

**CAUTION:** NOT SUITABLE FOR USE ON SYSTEMS EXCEEDING 150V-TO-GROUND.  
**ATTENTION:** NE CONVIENT PAS AUX INSTALLATIONS DE PLUS DE 150 V A LA TERRE.



**NOTES:**

- IF ODT-B IS NOT USED, ADD JUMPER BETWEEN W2 & W3 AT AIR HANDLER.  
IF USED, ODT-B MUST BE MOUNTED REMOTE OF CONTROL BOX IN AN APPROVED WEATHER PROOF ENCLOSURE.
- IF ODT-A IS NOT USED, ADD JUMPER BETWEEN W1 & W2 AT AIR HANDLER.
- LOW VOLTAGE (24 V.) FIELD WIRING MUST BE 18 AWG MIN.

<p><b>⚠ WARNING</b> HAZARDOUS VOLTAGE! DISCONNECT ALL ELECTRIC POWER INCLUDING REMOTE DISCONNECTS BEFORE SERVICING. FAILURE TO DISCONNECT POWER BEFORE SERVICING CAN CAUSE SEVERE PERSONAL INJURY OR DEATH!</p>	<p><b>⚠ CAUTION</b> USE COPPER CONDUCTORS ONLY! UNIT TERMINALS ARE NOT DESIGNED TO ACCEPT OTHER TYPES OF CONDUCTORS. FAILURE TO DO SO MAY CAUSE DAMAGE TO THE EQUIPMENT!</p>
-----------------------------------------------------------------------------------------------------------------------------------------------------------------------------------------------------------------------------	------------------------------------------------------------------------------------------------------------------------------------------------------------------------------------------

FOR CANADIAN INSTALLATIONS  
POUR INSTALLATIONS CANADIENNES

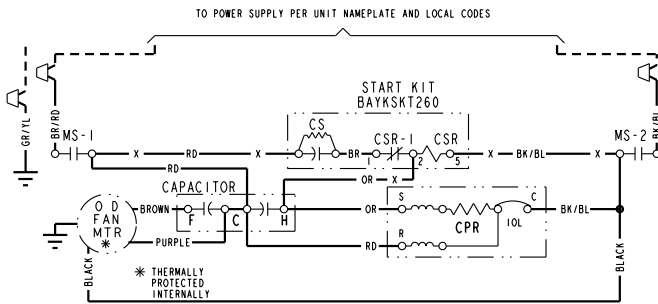
**CAUTION:** NOT SUITABLE FOR USE ON SYSTEMS EXCEEDING 150V-TO-GROUND.  
**ATTENTION:** NE CONVIENT PAS AUX INSTALLATIONS DE PLUS DE 150 V A LA TERRE.

# Electrical Data

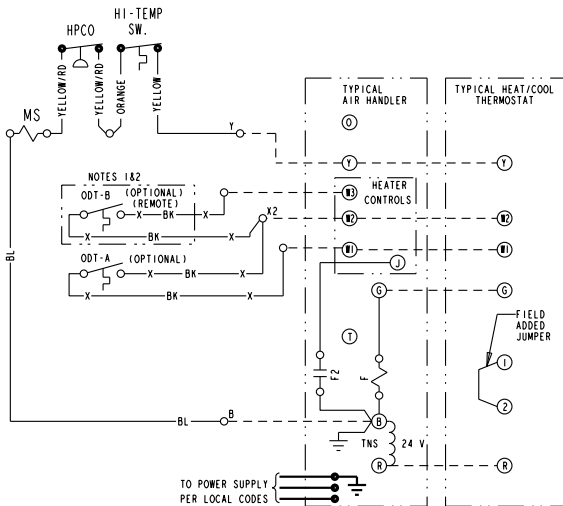
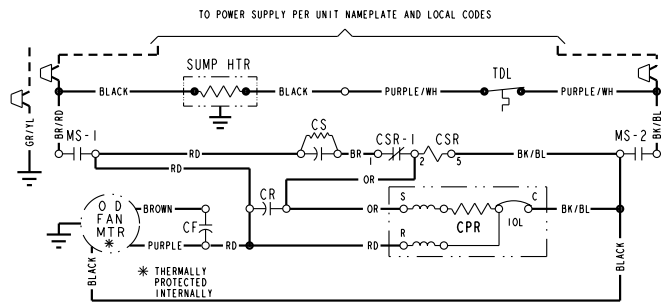
## SCHEMATIC DIAGRAMS

(SEE LEGEND)

### 4TTB3048A



### 4TTB3060A

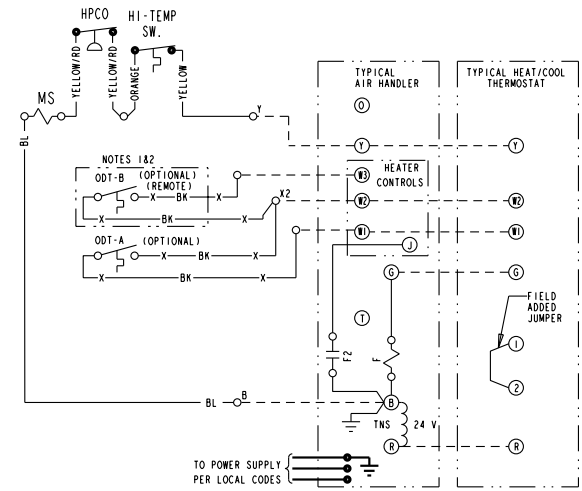


**NOTES:**

1. IF ODT-B IS NOT USED, ADD JUMPER BETWEEN W2 & W3 AT AIR HANDLER.  
IF USED, ODT-B MUST BE MOUNTED REMOTE OF CONTROL BOX IN AN APPROVED WEATHER PROOF ENCLOSURE.
2. IF ODT-A IS NOT USED, ADD JUMPER BETWEEN W1 & W2 AT AIR HANDLER.
3. LOW VOLTAGE (24 V.) FIELD WIRING MUST BE 18 AWG MIN.

<p><b>⚠ WARNING</b> HAZARDOUS VOLTAGE! DISCONNECT ALL ELECTRIC POWER INCLUDING REMOTE DISCONNECTS BEFORE SERVICING. FAILURE TO DISCONNECT POWER BEFORE SERVICING CAN CAUSE SEVERE PERSONAL INJURY OR DEATH!</p>	<p><b>⚠ CAUTION</b> USE COPPER CONDUCTORS ONLY! UNIT TERMINALS ARE NOT DESIGNED TO ACCEPT OTHER TYPES OF CONDUCTORS. FAILURE TO DO SO MAY CAUSE DAMAGE TO THE EQUIPMENT!</p>
-----------------------------------------------------------------------------------------------------------------------------------------------------------------------------------------------------------------------------	------------------------------------------------------------------------------------------------------------------------------------------------------------------------------------------

FOR CANADIAN INSTALLATIONS  
POUR INSTALLATIONS CANADIENNES  
CAUTION: NOT SUITABLE FOR USE ON SYSTEMS EXCEEDING 150V-TO-GROUND.  
ATTENTION: NE CONVIENT PAS AUX INSTALLATIONS DE PLUS DE 150 V A LA TERRE.



**NOTES:**

1. IF ODT-B IS NOT USED, ADD JUMPER BETWEEN W2 & W3 AT AIR HANDLER.  
IF USED, ODT-B MUST BE MOUNTED REMOTE OF CONTROL BOX IN AN APPROVED WEATHER PROOF ENCLOSURE.
2. IF ODT-A IS NOT USED, ADD JUMPER BETWEEN W1 & W2 AT AIR HANDLER.
3. LOW VOLTAGE (24 V.) FIELD WIRING MUST BE 18 AWG MIN.



<p><b>⚠ WARNING</b> HAZARDOUS VOLTAGE! DISCONNECT ALL ELECTRIC POWER INCLUDING REMOTE DISCONNECTS BEFORE SERVICING. FAILURE TO DISCONNECT POWER BEFORE SERVICING CAN CAUSE SEVERE PERSONAL INJURY OR DEATH!</p>	<p><b>⚠ CAUTION</b> USE COPPER CONDUCTORS ONLY! UNIT TERMINALS ARE NOT DESIGNED TO ACCEPT OTHER TYPES OF CONDUCTORS. FAILURE TO DO SO MAY CAUSE DAMAGE TO THE EQUIPMENT!</p>
-----------------------------------------------------------------------------------------------------------------------------------------------------------------------------------------------------------------------------	------------------------------------------------------------------------------------------------------------------------------------------------------------------------------------------

FOR CANADIAN INSTALLATIONS  
POUR INSTALLATIONS CANADIENNES  
CAUTION: NOT SUITABLE FOR USE ON SYSTEMS EXCEEDING 150V-TO-GROUND.  
ATTENTION: NE CONVIENT PAS AUX INSTALLATIONS DE PLUS DE 150 V A LA TERRE.

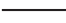




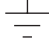

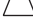

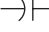



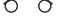


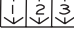
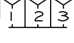



# Electrical Data

## SCHEMATIC DIAGRAMS

### LEGEND

	COLOR OF WIRE		
BK/BL	BLACK WIRE WITH BLUE MARKER		
	COLOR OF MARKER		
BK	BLACK	OR	ORANGE
BL	BLUE	RD	RED
BR	BROWN	WH	WHITE
		YL	YELLOW
		GR	GREEN
		PR	PURPLE

### SYMBOLS

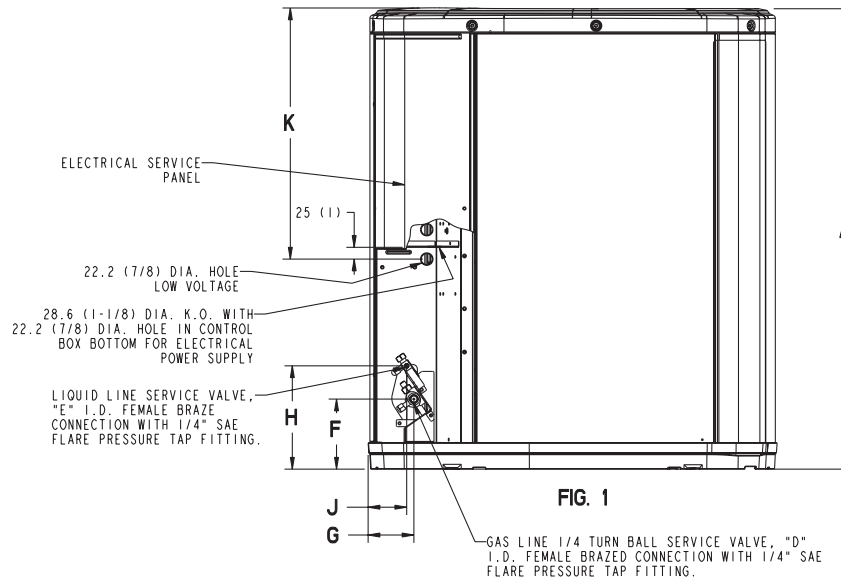
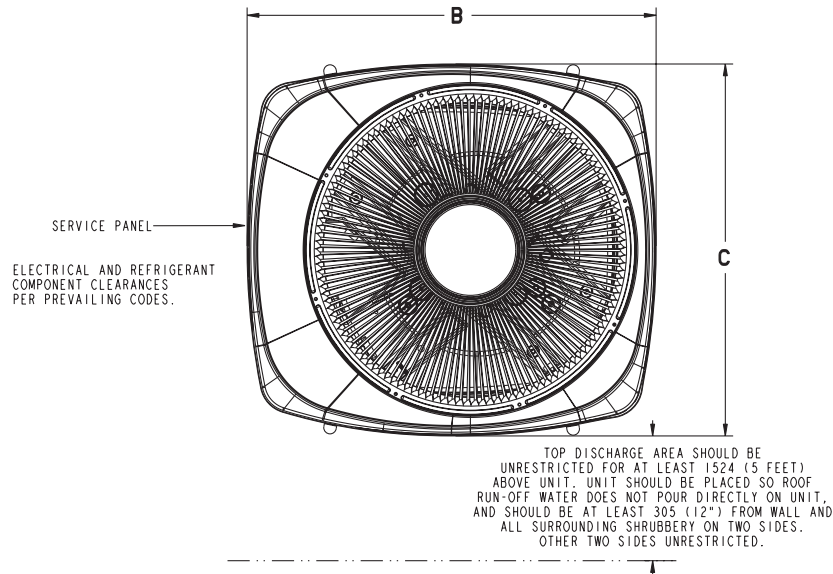
	24 V.	}	FACTORY WIRING
	LINE V.		
	24 V.	}	FIELD WIRING
	LINE V.		
	FIELD INSTALLED FACTORY WIRING		
	GROUND		
	JUNCTION		
	WIRE NUT OR CONNECTOR		
	COIL		
	CAPACITOR		
	RELAY CONTACT (N.O.)		
	RELAY CONTACT (N.C.)		
	THERMISTOR		
	INTERNAL OVERLOAD PROTECTOR		
	PRESSURE ACTUATED SWITCH		
	TEMP. ACTUATED SWITCH		
	POL. PLUG FEMALE HOUSING (MALE TERM.)		
	POL. PLUG MALE HOUSING (FEMALE TERM.)		
	RESISTOR OR HEATING ELEMENT		
	MOTOR WINDING		
	TERMINAL		

CA	COOLING ANTICIPATOR	LPCO	LOW PRESSURE CUTOFF SW.
CBS	COIL BOTTOM SENSOR	MS	COMPRESSOR MOTOR CONTACTOR
CF	FAN CAPACITOR	ODA	OUTDOOR ANTICIPATOR
CN	WIRE CONNECTOR	OFT	OUTDOOR FAN THERMOSTAT
CPR	COMPRESSOR	ODS	OUTDOOR TEMPERATURE SENSOR
CR	RUN CAPACITOR	ODT	OUTDOOR THERMOSTAT
CS	STARTING CAPACITOR	RHS	RESISTANCE HEAT SWITCH
CSR	CAPACITOR SWITCHING RELAY	SC	SWITCHOVER VALVE SOLENOID
DFC	DEFROST CONTROL	SM	SYSTEM "ON-OFF" SWITCH
F	INDOOR FAN RELAY	TDL	DISCHARGE LINE THERMOSTAT
HA	HEATING ANTICIPATOR	TNS	TRANSFORMER
HPCO	HIGH PRESSURE CUTOFF SW.	TS	HEATING-COOLING THERMOSTAT
IOL	INTERNAL OVERLOAD PROTECTOR	TSH	HEATING THERMOSTAT

# Dimensions

## 4TTB3 OUTLINE DRAWING

NOTE: ALL DIMENSIONS ARE IN MM (INCHES)



MODELS	BASE	FIG.	A	B	C	D	E	F	G	H	J	K
4TTB3018A	3	1	832 (32-3/4)	829 (32-5/8)	756 (29-3/4)	1/2	1/4	152 (6)	92 (3-5/8)	210 (8-1/4)	79 (3-1/8)	508 (20)
4TTB3024A	3	1	832 (32-3/4)	829 (32-5/8)	756 (29-3/4)	5/8	5/16	152 (6)	92 (3-5/8)	210 (8-1/4)	79 (3-1/8)	508 (20)
4TTB3030A	3	1	832 (32-3/4)	829 (32-5/8)	756 (29-3/4)	3/4	5/16	152 (6)	92 (3-5/8)	210 (8-1/4)	79 (3-1/8)	508 (20)
4TTB3036A	3	1	933 (36-3/4)	829 (32-5/8)	756 (29-3/4)	3/4	3/8	143 (5-5/8)	92 (3-5/8)	210 (8-1/4)	79 (3-1/8)	508 (20)
4TTB3042A	4	1	841 (33-1/8)	946 (37-1/4)	870 (34-1/4)	7/8	3/8	152 (6)	98 (3-7/8)	219 (8-5/8)	86 (3-3/8)	508 (20)
4TTB3048A	4	1	841 (33-1/8)	946 (37-1/4)	870 (34-1/4)	7/8	3/8	152 (6)	98 (3-7/8)	219 (8-5/8)	86 (3-3/8)	508 (20)
4TTB3060A	4	1	1045 (41-1/8)	946 (37-1/4)	870 (34-1/4)	7/8	3/8	152 (6)	98 (3-7/8)	219 (8-5/8)	86 (3-3/8)	508 (20)



# Mechanical Specification Options

## General

The 4TTB3 shall be fully charged from the factory for matched indoor section and up to 15 feet of piping. This unit must be designed to operate at outdoor ambient temperatures as high as 115°F. Cooling capacities shall be matched with a wide selection of air handlers and furnace coils that are ARI certified. The unit shall be UL listed. Exterior must be designed for outdoor application.

## Casing

Unit casing is constructed of heavy gauge, galvanized steel and painted with a weather-resistant powder paint. Corrosion and weatherproof CMBP-G30 DuraTuff™ base.

## Refrigerant Controls

Refrigeration system controls include condenser fan and compressor contactor. High and low pressure controls are inherent to the compressor. Another standard feature is the liquid line dryer.

## Compressor

The Climatuff® compressor features internal over temperature and pressure protector, total dipped hermetic motor and thermostatically controlled sump heater. Other features include: roto lock suction and discharge refrigeration connections, centrifugal oil pump, and low vibration and noise. The Climatuff® compressor is standard with a 5 year limited warranty.

## Condenser Coil

The Spine Fin™ coil shall be continuously wrapped, corrosion resistant all aluminum with minimum brazed joints. This coil is 3/8 inch O.D. seamless aluminum glued to a continuous aluminum fin. Coils are lab tested to withstand 2,000 pounds of pressure per square inch. The outdoor coil provides low airflow resistance and efficient heat transfer. The coil is protected on all four sides by louvered panels and has a 5 year limited warranty.

## Low Ambient Cooling

As manufactured, this unit has a cooling capability to 55°F. The addition of an evaporator defrost control permits operation to 30°F. The addition of a low ambient kit with TXV permits low ambient cooling to 0°F.

## Accessories

**Thermostats** — Heating/Cooling (manual and automatic changeover). Sub-base to match thermostat and locking thermostat cover.

**Evaporator Defrost Control** — See Low Ambient Cooling.

**Outdoor Thermostat** — Supplemental heat outdoor ambient lockout from 46 to -10°F.



ARI Standard  
210/240 UAC



Trane  
A business of  
American Standard Companies  
www.trane.com

Literature Order Number	SS-PRC024-EN	P.I.
File Number	PL-UN-4TTB-SS-PRC-EN	10/06
Supersedes	New	
Stocking Location	Electronic Only	

Trane has a policy of continuous product and product data improvement and it reserves the right to change design and specifications without notice.