

Fresh Air Ventilation Systems

Fresh Air Year-Round.



Honeywell offers three whisper-quiet, low-maintenance choices for ventilation.

Y8150 Fresh Air Ventilation System:

The Y8150A works with your existing heating and cooling fan system to deliver fresh air to your home. Its “set it and forget it” program gives you optimal ventilation without having to worry about settings. Your installer sets it up and the Y8150 does the work.

Perfect Window™ Ventilation Systems — HRV And ERV

Honeywell's Perfect Window Ventilation Systems allow you to manually or automatically adjust the fresh air flow in your home. You can also add options for adjusting dehumidistat and fan timer controls.

There are two types of Perfect Window systems — Heat Recovery Ventilator (HRV) and Energy Recovery Ventilator (ERV). Each can be connected to your existing heating and cooling system by your installer or will work as a stand-alone system. And each can be configured to meet your personal needs.

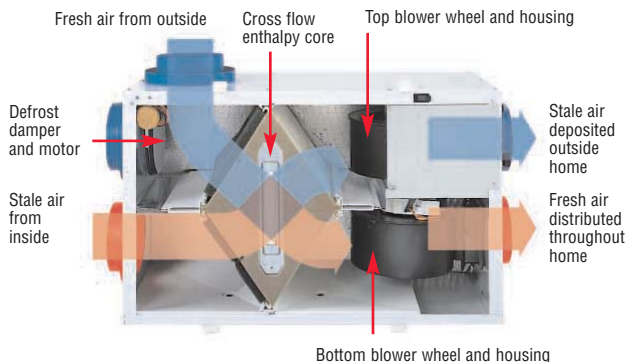
Heat Recovery Ventilator (HRV)

- Provides continuous fresh air
- Helps reduce window condensation and excess moisture
- Uses about the same amount of energy as a 100-watt light bulb
- Offers five speeds for specific demands, including frost control

Energy Recovery Ventilator (ERV)

Includes all the features of an HRV system, plus:

- Transfers both heat and moisture between incoming and outgoing air streams for maximum energy efficiency
- Helps reduce amount of humidity brought into home in summer and retain humidity in winter
- Uses about the same amount of energy as a 100-watt light bulb
- Offers five speeds for specific demands, including frost control



Your contractor or heating and cooling expert can help you determine the best Honeywell fresh air ventilation system for your home.

*According to the Environmental Protection Agency

Honeywell

Automation and Control Solutions

In the US: Honeywell, 1985 Douglas Drive North, Golden Valley, MN 55422-3992

In Canada: Honeywell Limited, 35 Dynamic Drive, Toronto, Ontario M1V 4Z9

Learn More

Call toll-free 1-800-328-5111

E-mail info@honeywell.com